

RYOBI®

R18BS

ORIGINAL INSTRUCTIONS
TRADUCTION DES INSTRUCTIONS ORIGINALES
ÜBERSETZUNG DER ORIGINALANLEITUNG
TRADUCCIÓN DE LAS INSTRUCCIONES ORIGINALES
TRADUZIONE DELLE ISTRUZIONI ORIGINALI
VERTALING VAN DE ORIGINELE INSTRUCTIES
TRADUÇÃO DAS INSTRUÇÕES ORIGINAIS
OVERSÆTTELSE AF DE ORIGINALE INSTRUKTIONER
ÖVERSÄTTNING AV DE URSPRUNGLIGA INSTRUKTIONERNA
ALKUPERÄISTEN OHJEIDEN SUOMENNOSS
OVERSETTELSE AV DE ORIGINALE INSTRUKSJONENE
ПЕРЕВОД ОРИГИНАЛЬНЫХ ИНСТРУКЦИЙ
TŁUMACZENIE INSTRUKCJI ORYGINALNEJ
PŘEKLAD ORIGINÁLNÍCH POKYNŮ
AZ EREDETI ÚTMUTATÓ FORDÍTÁSA
TRADUCEREA INSTRUCȚIUNILOR ORIGINALE
TULKOTS NO ORIGINĀLĀS INSTRUKCIJAS
ORIGINALIŲ INSTRUKCIJŲ VERTIMAS
ORIGINAALJUHENDI TÕLGE
PRIJEVOD ORIGINALNIH UPUTA
PREVOD ORIGINALNIH NAVODIL
PREKLAD ORIGINÁLNYCH POKYNOV
ПРЕВОД ОТ ОРИГИНАЛНИТЕ ИНСТРУКЦИИ
PEREKŁAD ORYGINALNYCH INSTRUKCJI
ORIJ NAL TALIMATLARIN TERCÜMESI
ΜΕΤΑΦΡΑΣΗ ΤΩΝ ΠΡΩΤΟΤΥΠΩΝ ΟΔΗΓΙΩΝ



EN
FR
DE
ES
IT
NL
PT
DA
SV
FI
NO
RU
PL
CS
HU
RO
LV
LT
ET
HR
SL
SK
BG
UK
TR
EL





- Important!** It is essential that you read the instructions in this manual before assembling, maintaining and operating the product.
- Attention!** Il est essentiel que vous lisiez les instructions contenues dans ce manuel avant d'assembler, d'entretenir et d'utiliser le produit.
- Achtung!** Es ist wichtig, dass Sie vor Zusammenbau, Wartung und Benutzung des Produktes die Anweisungen in dieser Anleitung lesen.
- ¡Atención!** Resulta fundamental que lea este manual de instrucciones antes de realizar el montaje, el mantenimiento y de utilizar este producto
- Attenzione!** È importante leggere le istruzioni contenute nel presente manuale prima di montare il prodotto, svolgere le operazioni di manutenzione sullo stesso e metterlo in funzione.
- Let op!** Het is van essentieel belang dat u de instructies in deze gebruiksaanwijzing leest voor u het product monteert, onderhoudt en gebruikt.
- Atenção!** É fundamental que leia as instruções deste manual antes da montagem, manutenção e operação do aparelho.
- OBS!** Det er vigtigt, at man læser instrukserne i denne brugsanvisning, inden man samler, vedligeholder og betjener produktet.
- Observera!** Det är viktigt att du läser instruktionerna i manualen före montering, användning och underhåll av produkten.
- Huomio!** On tärkeää, että luet tämän käsikirjan ohjeet ennen tuotteen kokoamista, huoltoa ja käyttöä.
- Advarsel!** Det er vigtigt at du leser instruksjonene i denne manualen før sammensetning, vedlikehold og bruk av produktet
- Внимание!** Необходимо прочитать инструкции в данном руководстве перед сборкой, обслуживанием и эксплуатацией этого изделия.
- Uwaga!** Koniecznie należy przeczytać instrukcje zawarte w tym podręczniku przed montażem, obsługą oraz konserwacją produktu.
- Důležité upozornění!** Neinstalujte, neprovádějte údržbu ani nepoužívejte tento výrobek dřív, než si přečtete pokyny uvedené v tomto návodu.
- Figyelem!** Fontos, hogy a termék összeszerelése, karbantartása és használatá elött elolvassa a kézikönyvben található utasításokat.
- Atenție!** Este esențial să citiți instrucțiunile din acest manual înainte de asamblare, efectuarea întreinerii și operarea produsului.
- Uzmanību!** Ir svarīgi izlasīt šīs rokasgrāmatas instrukcijas pirms uzstādīšanas, apkopes un preces darbināšanas.
- Dėmesio!** Prieš surenkant, prižiūrint ir naudojant gaminį, būtina perskaityti šiam vadove pateiktus nurodymus.
- Tähtis!** Enne masina kokkupanekut, hooldamist ja kasutama hakkamist tuleb käesolevas juhendis esitatud juhised kindlasti läbi lugeda.
- Upozorenie!** Vrlo je važno da ste prije sklapanja, održavanja i rada s ovim proizvodom pročitali upute u ovom priručniku.
- Pomembno!** Pomembno je da pred montažo vzdrževanjem in uporabo tega izdelka preberete navodila v tem priručniku.
- Upozornenie!** Je dôležité, aby ste si pred montážou, údržbou a obsluhou produktu prečítali pokyny v tomto návode.
- Важно!** Исключительно важно е да прочетете инструкциите в настоящото ръководство, преди да преминете към сглобяване, поддръжка или работа с продукта.
- Важливо!** Дуже важливо, щоб ви прочитали інструкції в цьому керівництві перед складанням, обслуговуванням та експлуатацією цієї машини.
- Dikkat!** Ürünün montajını, bakımını yapmadan ve ürünü çalıştırmadan önce bu kılavuzda yer alan talimatları okumanız önemlidir.
- Προσοχή!** Είναι πολύ σημαντικό να διαβάσετε τις οδηγίες στο παρόν εγχειρίδιο πριν συναρμολογήσετε, συντηρήσετε ή λειτουργήσετε το προϊόν.

Subject to technical modification | Sous réserve de modifications techniques | Technische Änderungen vorbehalten | Bajo reserva de modificaciones técnicas | Con riserva di eventuali modifiche tecniche | Technische wijzigingen voorbehouden | Com reserva de modificações técnicas | Med forbehold for tekniske ændringer | Med förbehåll för tekniska ändringar | Tekniset muutokset varataan | Med forbehold om tekniske endringer | могут быть внесены технические изменения | Z zastrzeżeniem modyfikacji technicznych | Změny technických údajů vyhrazeny | A műszaki módosítás jogát fenntartjuk | Sub rezerva modifiцаiilor tehnice | Paturam tiesības mainīt tehnisko raksturlielumus | Pasiliekan teisę daryti techninius pakeitimus | Tehnilised muudatused võimalikud | Podložno tehničkim promjenama | Tehnične spremembe dopuščene | Právo na technické zmeny je vyhradené | Подлежи на технически модификации | Є об'єктом для технічних змін | Teknik değişiklik hakkı saklıdır | Υπό την επιφύλαξη τεχνικών τροποποιήσεων



Safety, performance, and dependability have been given top priority in the design of your belt sander.

INTENDED USE

This belt sander is intended for sanding metal, wood, plastic, or similar materials. It can also remove paint, varnish, and corrosion from surfaces.

It is intended to be used by operators who have read the instruction manual and understand the risks and hazards. Belt sanders should only be used in well ventilated areas.

This belt sander is designed for dry sanding only. Do not use for wet sanding.

The product is intended for consumer use only. Do not use the belt sander in any way other than those stated in the intended use.

⚠ WARNING

Dust from certain paints, coatings, and materials may cause irritation or allergic reactions to the respiratory system. Dust from wood, such as oak, beech, MDF, and others are carcinogenic. Materials containing asbestos should only be worked or processed by qualified specialist operators.

⚠ WARNING

Read all safety warnings and all instructions. Failure to follow the warnings and instructions may result in electric shock, fire and/or serious injury.

Save all warnings and instruction for future reference.

GENERAL WORKING STAND SAFETY WARNINGS

⚠ WARNING

Read all safety warnings and all instructions provided with the working stand and the power tool to be mounted. Failure to follow the warnings and instructions may result in electric shock, fire and/or serious injury.

- **Save all warnings and instructions for future reference.**
- The term “power tool” in the warnings refers to your mains-operated (corded) power tool or battery-operated (cordless) power tool.
- **Disconnect the plug from the power source and/or the battery pack from the power tool before making any adjustments or changing accessories.** Accidental starting of the power tool is a cause of some accidents.
- **Properly assemble the working stand before mounting the tool.** Proper assembly is important to prevent risk of collapse.

- **Securely fasten the power tool to the working stand before use.** Power tool shifting on the working stand can cause loss of control.
- **Place the working stand on a solid, flat and level surface.** When the working stand can shift or rock, the power tool or workpiece cannot be steadily and safely controlled.
- **Do not overload the working stand or use as ladder or scaffolding.** Overloading or standing on the working stand causes the stand to be “top-heavy” and likely to tip over.

BELT SANDER SAFETY WARNINGS

- **Always wear safety goggles and a dust mask.**
- **A suitable breathing respirator must be worn while sanding lead paint, some woods and metal to avoid breathing the harmful/toxic dust or air.**
- **The product is not suitable for wet sanding.**
- **Do not use sanding belt larger than needed.**

ADDITIONAL BATTERY SAFETY WARNINGS

⚠ WARNING

To reduce the risk of fire, personal injury, and product damage due to a short circuit, never immerse your tool, battery pack or charger in fluid or allow a fluid to flow inside them. Corrosive or conductive fluids, such as seawater, certain industrial chemicals, and bleach or bleach-containing products, etc., can cause a short circuit.

TRANSPORTING LITHIUM BATTERIES

Transport the battery in accordance with local and national provisions and regulations.

Follow all special requirements on packaging and labelling when transporting batteries by a third party. Ensure that no batteries can come in contact with other batteries or conductive materials while in transport by protecting exposed connectors with insulating, non-conductive caps or tape. Do not transport batteries that are cracked or leaking. Check with the forwarding company for further advice.

RESIDUAL RISKS

Even when the product is used as prescribed, it is still impossible to completely eliminate certain residual risk factors. The following hazards may arise and the operator should pay special attention to avoid the following:

- **Entrapment/contact with the moving belt**
Additional caution must be exercised, especially during inverted operation, to prevent operator's fingers and hands from coming into contact with the abrasive belt or entrapped by the rollers.

- Contact with or inhalation of dust

While using the product, considerable dust and fine particles will be produced. Use the dust collection device or connect a dust extraction vacuum during use. Wear respiratory protection masks containing filters appropriate to the materials being worked. Ensure adequate workplace ventilation. Do not eat, drink, or smoke in the work area.

- Risk of explosion

Accumulated fine dust may ignite and cause fire. Keep the work area clean and free from dust. Dust collection and vacuum extraction systems should be regularly and thoroughly cleaned. When sanding metal, hot sparks may be produced.

- noise and vibration

Wear ear protection when operating the product. Do not operate the product for extended periods of time.

RISK REDUCTION

It has been reported that vibrations from handheld tools may contribute to a condition called Raynaud's Syndrome in certain individuals. Symptoms may include tingling, numbness and blanching of the fingers, usually apparent upon exposure to cold. Hereditary factors, exposure to cold and dampness, diet, smoking, and work practices are all thought to contribute to the development of these symptoms. There are measures that can be taken by the operator to possibly reduce the effects of vibration:

- Keep your body warm in cold weather. When operating the product wear gloves to keep the hands and wrists warm. It is reported that cold weather is a major factor contributing to Raynaud's Syndrome.
- After each period of operation, exercise to increase blood circulation.
- Take frequent work breaks. Limit the amount of exposure per day.

If you experience any of the symptoms of this condition, immediately discontinue use and see your doctor about these symptoms.

OPERATION

- Do not operate the product without a properly tracked and fitted belt. An incorrectly tracked belt may come off the product and cause personal injury or damage to the sander.
- Secure the workpiece with a vice or clamp to a suitable work bench. This helps to prevent the workpiece becoming a thrown object.
- Use the supplied handles to hold and control the product with both hands.
- Do not force the product. Use the correct product for your application. The correct product will do the job better and safer at the rate for which it is designed.
- Do not apply excessive pressure to the product. Let the weight of the product apply the correct pressure and use

your hands to guide the sander. Excessive pressure will overload the product and damage the motor. Applying more pressure will not remove more material and will reduce sanding efficiency instead.

- Change the sanding belt often to maintain the product's ability to effectively remove material.
- Start the product using the trigger switch and allow the belt to gain correct speed. Then lower the belt onto the workpiece. Hold the product securely in both hands because the movement of the belt will drive the product forwards.
- Choose a belt of the correct size and appropriate roughness for the task. Use belts with a lower grit number for removing more material; higher grit number for removing less material and for a finer finish. Replace the belt if it becomes damaged, clogged with debris, or is worn.
- It is normal to sand and move the product back and forth along the grain of the material. Sanding across the grain will work but it results to a scratched and damaged surface.

⚠ WARNING

Dust from certain paints, coatings, and materials may cause irritation or allergic reactions to the respiratory system. Dust from wood, such as oak, beech, MDF, and others are carcinogenic. Materials containing asbestos should only be worked or processed by qualified specialist operators.

- Use the dust collector or connect the dust port to a vacuum device to reduce risks associated with dust particles.
- All persons within the work area or nearby should wear dust masks which offer appropriate protection.
- Always wear safety goggles or safety glasses with side shields when operating power tools.

⚠ WARNING

Injuries may be caused, or aggravated, by prolonged use of a tool. When using any tool for prolonged periods, ensure you take regular breaks.

KNOW YOUR PRODUCT

See page 107.

1. Front handle
2. Lock on button
3. Main handle
4. Dust port
5. Battery port
6. Sanding belt adjustment knob
7. Trigger
8. Sanding belt release lever
9. Front handle adjustment button
10. Vacuum adaptor
11. Dust bag

12. Sanding belt (60 grit)
13. Sanding belt (100 grit)
14. Sanding belt (120 grit)

MAINTENANCE

⚠ WARNING

The product should never be connected to a power supply when you are assembling parts, cleaning, performing maintenance, or when the product is not in use. Disconnecting the product will prevent accidental starting that could cause serious injury.

⚠ WARNING

When servicing, use only identical Ryobi replacement parts. Use of any other parts may create a hazard or cause product damage.

⚠ WARNING

Always remove the sanding belt from the product before cleaning. Failure to do so could cause serious personal injury.

Avoid using solvents when cleaning plastic parts. Most plastics are susceptible to various types of commercial solvents and may be damaged by their use. Use clean cloths to remove dirt, carbon dust, etc.

⚠ WARNING

Do not at any time let brake fluids, gasoline, petroleum-based products, penetrating oils, etc. come in contact with plastic parts. They contain chemicals that can damage, weaken or destroy plastic.

Electric tools used on fiberglass material, wallboard, spackling compounds, or plaster are subject to accelerated wear and possible premature failure because the fiberglass chips and grindings are highly abrasive to bearings, brushes and commutators. The manufacturer does not recommend the use of the product for extended periods of time on these types of materials.

After each use, remove the belt and dust collector if fitted. Clean the dust collector as shown in the illustrations in this manual. Clean the tool thoroughly with a brush, dry cloth and vacuum cleaner.

⚠ WARNING

Do not use compressed air to blow dust from the product to prevent serious eye injury.

For greater safety and reliability, all repairs should be performed by an authorised Ryobi service centre.

All of the bearings in this tool are lubricated with a sufficient amount of high grade lubricant for the life of the unit under normal operating conditions. Therefore, no further

lubrication is required.

ENVIRONMENTAL PROTECTION



Recycle raw materials instead of disposing of as waste. The machine, accessories and packaging should be sorted for environmental-friendly recycling.

SYMBOL



Safety Alert



Volts



No load speed



Revolutions or reciprocations per minute



Direct current



CE Conformity



EurAsian Conformity Mark.



Ukrainian mark of conformity



Please read the instructions carefully before starting the machine.



Wear ear protection



Wear eye protection



Waste electrical products should not be disposed of with household waste. Please recycle where facilities exist. Check with your Local Authority or retailer for recycling advice.

SYMBOLS IN THIS MANUAL



Note



Parts or accessories sold separately



Unlock



Lock

The following signal words and meanings are intended to explain the levels of risk associated with this product:

 **DANGER**

Indicates an imminently hazardous situation, which, if not avoided, will result in death or serious injury.

 **WARNING**

Indicates a potentially hazardous situation, which, if not avoided, could result in death or serious injury.

 **CAUTION**

Indicates a potentially hazardous situation, which, if not avoided, may result in minor or moderate injury.

CAUTION

(Without Safety Alert Symbol) Indicates a situation that may result in property damage.

Notch icon

Votre ponceuse à bande a été conçue en donnant priorité à la sécurité, à la performance et à la fiabilité.

UTILISATION PREVUE

Cette ponceuse à bande est destinée au ponçage du métal, du bois, du plastique, ou matériaux similaires. Elle peut également décaper la peinture, les vernis, et la rouille des surfaces.

Elle est conçue pour être utilisée par un opérateur ayant lu le manuel d'instructions et ayant compris les risques et dangers. Ce produit ne doit être utilisé que dans un environnement bien ventilé.

Le produit n'est prévu que pour le ponçage à sec. Ne l'utilisez pas pour le ponçage à l'eau.

La ponceuse à bande n'est prévue que pour une utilisation domestique. Ne vous servez pas de ce produit pour d'autres utilisations que celles décrites au chapitre des utilisations prévues.

⚠ AVERTISSEMENT

Lisez tous les avertissements de sécurité et toutes les instructions. Le non-respect des avertissements et instructions peut entraîner une décharge électrique, un incendie et/ou de graves blessures.

⚠ AVERTISSEMENT

Lisez tous les avertissements de sécurité et toutes les instructions. Le non-respect des instructions présentées ci-après peut entraîner des accidents tels que des incendies, des décharges électriques et/ou des blessures corporelles graves.

Notch icon

Conservez tous les avertissements ainsi que le mode d'emploi pour vous-y reporter ultérieurement.

AVERTISSEMENTS GÉNÉRAUX DE SÉCURITÉ CONCERNANT L'ÉTABLI

⚠ AVERTISSEMENT

Lisez tous les avertissements de sécurité et toutes les instructions fournies avec l'établi et l'outil électrique à monter. Le non-respect des avertissements et instructions peut entraîner une décharge électrique, un incendie et/ou de graves blessures.

- **Conservez tous les avertissements et toutes les instructions pour pouvoir vous y reporter ultérieurement.**
- Dans les avertissements, l'expression « outil électrique » fait référence à l'outil électrique alimenté sur le secteur (à fil) ou sur batterie (sans fil).
- **Débranchez l'appareil et/ou retirez le bloc de batterie de l'outil électrique avant de réaliser tout réglage ou de changer les accessoires.** Un démarrage accidentel de l'outil électrique peut causer

des accidents.

- **Assemblez correctement l'établi avant de monter l'outil.** Un assemblage correct est important pour empêcher le risque d'effondrement.
- **Fixez solidement l'outil électrique à l'établi avant toute utilisation.** Le déplacement de l'outil électrique sur l'établi peut entraîner une perte de contrôle.
- **Placez l'établi sur une surface solide, plane et horizontale.** Lorsque que l'établi peut bouger ou basculer, l'outil de travail ou la pièce à usiner ne peut pas être contrôlée de manière sûre et constante.
- **Ne surchargez pas l'établi et ne l'utilisez pas en tant qu'échelle ou échafaudage.** Surcharger ou se tenir debout sur l'établi peut le déséquilibrer (en raison d'un poids trop lourd) et provoquer un basculement.

AVERTISSEMENTS DE SECURITE RELATIFS A LA PONCEUSE A BANDE

- **Portez toujours des lunettes de sécurité et un masque anti-poussière.**
- **Vous devez porter un masque anti-poussière adéquat lorsque vous ponchez des surfaces recouvertes de peinture à base de plomb ainsi que certains bois et métaux pour éviter d'inhaler de la poussière ou des vapeurs toxiques.**
- **Ce produit ne convient pas à un ponçage à l'eau.**
- **N'utilisez pas une bande abrasive plus large que nécessaire.**

MISES EN GARDE DE SÉCURITÉ SUPPLÉMENTAIRES CONCERNANT LA BATTERIE

⚠ AVERTISSEMENT

Pour réduire le risque d'incendie, de blessures corporelles et de dommages cau-sés par un court-circuit, ne jamais immerger l'outil, le bloc-piles ou le chargeur dans un liquide ou laisser couler un fluide à l'intérieur de celui-ci. Les fluides corrosifs ou conducteurs, tels que l'eau de mer, certains produits chim-iques industriels, les produits de blanchiment ou de blanchi-ment, etc., Peuvent provoquer un court-circuit.

TRANSPORT DES BATTERIES AU LITHIUM

Transportez les batteries en conformité avec les dispositions et règlements locaux et nationaux.

Respectez toutes les exigences légales particulières concernant l'emballage et l'étiquetage des batteries lorsque vous confiez leur transport à un tiers. Assurez-vous qu'aucune batterie ne puisse entrer en contact avec une autre batterie ou avec des matériaux conducteurs lors de son transport en isolant les bornes électriques avec du ruban adhésif ou des capuchons isolants. Ne transportez pas une batterie qui serait fendue ou qui fuirait. Demandez conseil au transporteur pour de plus amples informations.

RISQUES RESIDUELS

Même lorsque le produit est utilisé selon les prescriptions, il reste impossible d'éliminer totalement certains facteurs de risque résiduels. Les dangers suivants risquent de se présenter en cours d'utilisation et l'utilisateur doit prêter particulièrement garde aux points suivants :

- **Coincement ou entrée en contact avec la bande de ponçage en mouvement**
Une attention supplémentaire doit être exercée, en particulier en fonctionnement inversé, afin d'éviter que les doigts et les mains de l'opérateur entrent en contact avec la bande abrasive ou soient coincés dans les rouleaux.
- **Entrée en contact ou inhalation des poussières**
Lors de l'utilisation du produit, une quantité considérable de poussière et de particules fines sera produite. Utilisez le dispositif de collecte des poussières ou raccordez un aspirateur d'extraction des poussières lorsque vous utilisez le produit. Portez un masque de protection respiratoire adapté aux matériaux coupés. Assurez une ventilation correcte à l'espace de travail. Ne mangez pas, ne buvez pas, et ne fumez pas dans l'espace de travail.
- **Risque d'explosion**
La poussière fine accumulée est susceptible de s'enflammer et de provoquer un incendie. Gardez l'espace de travail propre et exempt de poussières. Les systèmes d'aspiration et de collecte de poussières doivent être régulièrement nettoyés soigneusement. Des étincelles chaudes sont susceptibles d'être produites lorsque vous poncez du métal.
- **Bruit et vibration**
Portez une protection oculaire lorsque vous utilisez le produit. N'utilisez pas le produit de façon prolongée.

REDUCTION DES RISQUES

Il a été reporté que les vibrations engendrées par les outils tenus à main peuvent contribuer à l'apparition d'un état appelé le Syndrome de Raynaud chez certaines personnes. Les symptômes peuvent comprendre des fourmillements, un engourdissement et un blanchiment des doigts, généralement par temps froid. Des facteurs héréditaires, l'exposition au froid et à l'humidité, le régime alimentaire, le tabagisme et les habitudes de travail peuvent contribuer au développement de ces symptômes. Certaines mesures peuvent être prises par l'utilisateur pour aider à réduire les effets des vibrations:

- Gardez votre corps au chaud par temps froid. Lorsque vous utilisez l'appareil, portez des gants afin de garder vos mains et vos poignets au chaud. Le temps froid est considéré comme un facteur contribuant très largement à l'apparition du syndrome de Raynaud.
- Après chaque session de travail, pratiquez des exercices qui favorisent la circulation sanguine.
- Faites des pauses fréquentes. Limitez la quantité d'exposition journalière.

Si vous ressentez l'un des symptômes associés à ce syndrome, arrêtez immédiatement le travail et consultez votre médecin pour lui en faire part.

UTILISATION

- N'utilisez pas le produit sans bande correctement mise en place et alignée. Une bande de ponçage mal alignée est susceptible de s'échapper du produit et de provoquer des blessures et des dommages à la ponceuse.
 - Fixez l'élément à poncer sur un établi à l'aide d'un étau ou d'un serre-joints. Ceci permet d'éviter que l'élément à poncer ne se transforme en projectile.
 - Utilisez les poignées fournies pour maintenir et contrôler le produit des deux mains.
 - Ne forcez pas forcer le produit. Utilisez un produit adapté au travail à effectuer. Un produit adapté utilisé dans les limites de ses capacités effectuera un meilleur travail dans de meilleures conditions de sécurité.
 - N'appliquez pas de pression excessive sur le produit. Laissez le poids du produit exercer la pression correcte et utilisez vos mains pour guider la ponceuse. Une pression excessive surchargera le produit et endommagera le moteur. Le fait d'appliquer une plus forte pression n'enlèvera pas plus de matière et réduira l'efficacité du ponçage, au contraire.
 - Changez souvent la bande de ponçage pour que le produit conserve son efficacité en termes d'enlèvement de matière.
 - Démarrez le produit à l'aide de la gâchette interrupteur et laissez la bande atteindre une vitesse correcte. Abaissez ensuite la bande sur l'élément à poncer. Maintenez fermement le produit des deux mains car le mouvement de la bande entraînera le produit vers l'avant.
 - Choisissez une bande de la bonne taille et à la granularité adaptée au travail à effectuer. Utilisez un grain grossier pour enlever plus de matière ; les grains plus fins retirent moins de matière mais procurent une meilleure finition. Remplacez la bande si elle devient endommagée, usée, ou encrassée.
 - Il est normal de poncer et d'effectuer des mouvements d'avant en arrière dans le sens du grain du matériau. Un ponçage en travers du grain du matériau est possible mais le résultat sera une surface rayée et endommagée.
- ### ⚠ AVERTISSEMENT
- La sciure en provenance de certaines peintures, vernis et matériaux est susceptible de provoquer des irritations ou des réactions allergiques. La sciure de bois tels que le chêne, le hêtre, l'aggloméré et autres est cancérigène. Les matériaux contenant de l'amiante ne doivent être travaillés ou traités que par du personnel spécialisé.
- Utilisez le système de collecte des poussières ou reliez le conduit d'évacuation à un système d'aspiration



pour réduire les risques associés aux particules de poussière.

- Toutes les personnes se trouvant au sein ou à proximité de la zone de travail doivent porter des masques anti-poussière offrant une protection adéquate.
- Portez toujours des lunettes de sécurité ou des lunettes de protection munies d'écrans latéraux lorsque vous utilisez des outils.

⚠ AVERTISSEMENT

L'utilisation prolongée d'un outil est susceptible de provoquer ou d'aggraver des blessures. Assurez-vous de faire des pauses de façon régulière lorsque vous utilisez tout outil de façon prolongée.

APPRENEZ A CONNAITRE VOTRE PRODUIT

Voir page 107.

1. Poignée avant
2. Bouton de verrouillage
3. Poignée principale
4. Sortie de poussière
5. Réceptacle de la batterie
6. Bouton d'ajustement de la courroie de ponçage
7. Gâchette
8. Levier de libération de la courroie de ponçage
9. Bouton d'ajustement de la poignée avant
10. Adaptateur d'aspiration
11. Sac à poussière
12. Bande abrasive (grain 60)
13. Bande abrasive (grain 100)
14. Bande abrasive (grain 120)

ENTRETIEN

⚠ AVERTISSEMENT

Le produit ne doit jamais être branché à une source de courant lorsque vous y montez des pièces, lorsque vous effectuez des réglages, lorsque vous le nettoyez, lorsque vous l'entretenez, ou lorsque vous ne l'utilisez pas. Le fait de débrancher le produit évitera toute mise en marche accidentelle susceptible de provoquer de graves blessures.

⚠ AVERTISSEMENT

Seules des pièces de rechange Ryobi d'origine doivent être utilisées en cas de remplacement. L'utilisation de toute autre pièce est susceptible de présenter un danger ou d'endommager votre outil.

⚠ AVERTISSEMENT

Retirez toujours la bande de sondage du produit avant de procéder au nettoyage. Le non-respect de cette consigne peut provoquer des blessures corporelles graves.

Évitez d'utiliser des solvants pour nettoyer les parties en plastique. La plupart des plastiques sont susceptibles d'être endommagés par les solvants disponibles dans le commerce. Utilisez un chiffon propre pour essuyer les impuretés, la poussière, etc.

⚠ AVERTISSEMENT

Ne laissez jamais du liquide de frein, de l'essence, des produits pétroliers, des huiles pénétrantes, etc. entrer en contact avec les éléments en plastique. Ces produits chimiques contiennent des substances qui peuvent endommager, fragiliser ou détruire le plastique.

Les outils électriques utilisés sur des matériaux en fibre de verre, des plaques de plâtre, des panneaux de revêtement, ou du plâtre ont tendance à s'user plus rapidement et à présenter des défaillances prématurées car les poussières en provenance de ces matériaux sont très abrasives pour les roulements, les charbons, les interrupteurs, etc. Nous recommandons de ne pas utiliser ce produit pendant de longues périodes de temps avec ce genre de matériau.

Après chaque utilisation, retirez la bande et le système de collecte des poussières s'il est en place. Nettoyez le collecteur de poussières comme illustré dans ce manuel. Nettoyez soigneusement le produit à l'aide d'un pinceau, d'un chiffon sec et d'un aspirateur.

⚠ AVERTISSEMENT

N'utilisez pas d'air comprimé pour retirer la poussière du produit afin d'éviter de vous blesser gravement les yeux.

Pour plus de sécurité et de fiabilité, toutes les réparations doivent être effectuées par un service après-vente Ryobi agréé.

Tous les roulements de cet outil sont suffisamment lubrifiés avec de l'huile de haute qualité pour toute sa durée de vie dans des conditions d'utilisation normales. Par conséquent, aucune lubrification supplémentaire n'est nécessaire.

PROTECTION DE L'ENVIRONNEMENT



Recyclez les matières premières au lieu de les jeter avec les ordures ménagères. Pour protéger l'environnement, l'outil, les accessoires et les emballages doivent être triés.

SYMBOLE



Alerte de sécurité

V Volts





n_0 Vitesse à vide


min^{-1} Nombre de tours ou de mouvements par minute


 Courant continu


 Conformité CE


 Marque de conformité d'Eurasie

 Marque de conformité ukrainienne

 Veuillez lire attentivement le mode d'emploi avant de démarrer la machine.

 Portez une protection auditive

 Portez une protection oculaire

 Les produits électriques hors d'usage ne doivent pas être jetés avec les ordures ménagères. Recyclez-les par l'intermédiaire des structures disponibles. Contactez les autorités locales ou votre distributeur pour vous renseigner sur les conditions de recyclage.

ATTENTION

Situation potentiellement dangereuse qui, si l'on n'y prend garde, peut entraîner des blessures moyennes ou légères.

ATTENTION

(Sans symbole de sécurité) Indique une situation pouvant provoquer des dommages matériels.

SYMBOLES PRESENTS DANS LE MANUEL



Remarque



Pièces détachées et accessoires vendus séparément



Déverrouillage



Verrouillage

Les symboles suivants, et les noms qui leur sont associés, permettent d'expliquer les différents niveaux de risques liés à l'utilisation de cet outil.

DANGER

Imminence d'un danger qui, si l'on n'y prend garde, peut entraîner des blessures graves voire mortelles.

AVERTISSEMENT

Situation potentiellement dangereuse qui, si l'on n'y prend garde, peut entraîner des blessures graves voire mortelles.

Sicherheit, Leistung und Zuverlässigkeit hatten oberste Priorität bei der Entwicklung Ihres Bandschleifers.

BESTIMMUNGSGEMÄSSE VERWENDUNG

Dieser Bandschleifer ist zum Schleifen von Metall, Holz, Kunststoff oder ähnliche Materialien vorgesehen. Er kann auch Farbe, Lack und Korrosion von Oberflächen entfernen.

Er ist nur zur Benutzung durch Benutzer vorgesehen, die die Bedienungsanleitung gelesen haben und die Risiken und Gefahren verstehen. Das Produkt sollte in einem gut belüfteten Bereich benutzt werden.

Dieses Produkt ist ausschließlich zum Trockenschleifen bestimmt. Verwenden Sie das Produkt nicht zum Nassschleifen.

Der Bandschleifer ist ausschließlich für den Hausgebrauch bestimmt. Benutzen Sie das Produkt nicht für andere Aufgaben, als die genannten bestimmungsgemäßen Verwendungen.

⚠️ WARNUNG

Staub von bestimmten Farben, Beschichtungen und Materialien können Irritationen oder allergische Reaktionen der Atemwege verursachen. Staub von Holz wie Eiche, Buche, Faserstoffplatten und anderen ist krebserregend. Asbesthaltige Materialien dürfen nur von qualifizierten Spezialisten bearbeitet oder verarbeitet werden.

⚠️ WARNUNG

Lesen Sie alle Sicherheitshinweise und Anweisungen. Versäumnisse bei der Einhaltung der Sicherheitshinweise und Anweisungen können elektrischen Schlag, Brand und/oder schwere Verletzungen verursachen.

Bewahren Sie alle Sicherheitshinweise und Anweisungen für die Zukunft auf.

ALLGEMEINE SICHERHEITSHINWEISE ZUM ARBEITSGESTELL

⚠️ WARNUNG

Lesen Sie alle Sicherheitshinweise und Anweisungen im Zusammenhang mit dem Arbeitsgestell und dem zu montierenden Werkzeug. Versäumnisse bei der Einhaltung der Sicherheitshinweise und Anweisungen können elektrischen Schlag, Brand und/oder schwere Verletzungen verursachen.

- **Bewahren Sie alle Sicherheitshinweise und Anweisungen für die Zukunft auf.**
- Der Begriff „Elektrowerkzeug“ in den Warnhinweisen bezieht sich auf Ihr über einen Stromanschluss (mit Stromkabel) oder mit einem Akku (kabellos)

betriebenes Werkzeug.

- **Entfernen Sie den Stecker aus der Stromquelle und/oder den Akku aus dem Gerät, bevor Sie Einstellungen vornehmen oder Zubehörteile wechseln.** Versehentliches Starten des Elektrowerkzeugs ist die Ursache für einige Unfälle.
- **Bringen Sie das Arbeitsgestell fest an bevor Sie das Elektrowerkzeug montieren.** Die richtige Montage ist wichtig, um Einsturzgefahr zu verhindern.
- **Befestigen Sie das Werkzeug sicher am Arbeitsgestell vor dem Gebrauch.** Eine Verschiebung des Werkzeugs auf dem Arbeitsgestell kann zum Verlust der Kontrolle führen.
- **Setzen Sie das Arbeitsgestell auf eine feste, flache und ebene Oberfläche.** Wenn das Arbeitsgestell sich verschieben lässt oder wackelt, kann das Werkzeug oder das Werkstück nicht stetig und sicher gesteuert werden.
- **Überlasten Sie das Arbeitsgestell nicht oder verwenden es als Leiter oder Gerüst.** Eine Überlastung oder Stehen auf dem Arbeitsgestell kann zum Umkippen des Werkzeugs führen.

BANDSCHLEIFER SICHERHEITSWARNUNGEN

- **Tragen Sie immer eine Sicherheitsbrille und Staubmaske.**
- **Tragen Sie eine geeignete Staubschutzmaske, wenn Sie Flächen schleifen, die mit einer bleihaltigen Farbe lackiert sind, sowie beim Schleifen bestimmter Holzarten und Metalle, um zu vermeiden, dass Sie giftige Stäube oder Dämpfe einatmen.**
- **Das Produkt ist nicht zum Nassschleifen geeignet.**
- **Benutzen Sie kein größeres Schleifband als erforderlich.**

WEITERE SICHERHEITSHINWEISE ZUM AKKU

⚠️ WARNUNG

Um die durch einen Kurzschluss verursachte Gefahr eines Brandes, von Verletzungen oder Produktbeschädigungen zu vermeiden, tauchen Sie das Werkzeug, den Wechselakku oder das Ladegerät nicht in Flüssigkeiten ein und sorgen Sie dafür, dass keine Flüssigkeiten in die Geräte und Akkus eindringen. Korrodierende oder leitfähige Flüssigkeiten, wie Salzwasser, bestimmte Chemikalien und Bleichmittel oder Produkte, die Bleichmittel enthalten, können einen Kurzschluss verursachen.

TRANSPORT VON LITHIUM AKKUS

Transportieren Sie den Akku gemäß Ihren örtlichen und nationalen Bestimmungen und Regeln.

Befolgen Sie alle besonderen Anforderungen für



Verpackung und Beschriftung, wenn Sie Akkus von Dritten transportieren lassen. Stellen Sie sicher, dass beim Transport kein Akku in Kontakt mit anderen Akkus oder leitenden Materialien kommt, indem Sie die freien Anschlüsse mit Isolierband, nichtleitenden Kappen oder Klebeband schützen. Beschädigte oder auslaufende Akkus dürfen nicht transportiert werden. Befragen Sie Ihre Transportfirma nach weiteren Informationen.

RESTRISIKEN

Sogar wenn das Produkt wie vorgeschrieben benutzt wird, ist es unmöglich ein gewisses Restrisiko vollständig auszuschließen. Die folgenden Gefahren können bei der Benutzung entstehen, und der Benutzer sollte besonders auf folgende Punkte achten:

- Einklemmen oder Kontakt mit dem bewegten Band
Besonders bei dem umgekehrten Betrieb muss sehr vorsichtig vorgegangen werden, um zu verhindern, dass die Finger des Benutzers in Kontakt mit dem Schleifband kommen oder von den Rollen eingeklemmt werden.
- Kontakt mit oder Einatmen von Staub
Bei der Benutzung des Produktes entstehen beträchtliche Mengen Staub und feiner Teilchen. Verwenden Sie die Staubauffangeinrichtung oder schließen eine Staubaabsaugung an, wenn Sie das Produkt bedienen. Tragen Sie eine für das zu bearbeitende Material geeignete Atemschutzmaske mit Filter. Sorgen Sie für ausreichende Belüftung des Arbeitsbereichs. Essen, trinken oder rauchen Sie nicht in dem Arbeitsbereich.
- Explosionsgefahr
Die Ansammlung von feinem Staub kann sich entzünden und ein Feuer verursachen. Halten Sie den Arbeitsbereich sauber und frei von Staub. Systeme zur Staubsammlung und Absaugung sollten regelmäßig und gründlich gereinigt werden. Beim Schleifen von Metall können heiße Funken entstehen.
- Lärm und Vibration
Tragen Sie einen Gehörschutz, wenn Sie das Produkt benutzen. Benutzen Sie das Produkt nicht über lange Zeiträume.

RISIKOVERRINGERUNG

Vibrationen von in der Hand gehaltenen Werkzeugen können bei einigen Personen zu einem Zustand, der Raynaud-Syndrom genannt wird, führen. Symptome sind u.a. Kribbeln, Taubheitsgefühl und episodische Weißfärbung der Finger und treten normalerweise bei Kälte auf. Man geht davon aus, dass ererbte Faktoren, Kälte und Feuchtigkeit, Essgewohnheiten, Rauchen und Arbeitsweise zur Entwicklung dieser Symptome beitragen. Der Anwender kann Maßnahmen ergreifen, um die Auswirkungen der Vibrationen möglicherweise zu verringern:

- Halten Sie den Körper bei Kälte warm. Tragen Sie beim Betrieb des Geräts Handschuhe, um Hände

und Handgelenke warm zu halten. Berichten zu Folge ist kaltes Wetter ein wesentlicher Faktor, der zum Raynaud Syndrom beiträgt.

- Betätigen Sie sich nach jedem Einsatz körperlich, um den Blutkreislauf zu steigern.
- Machen Sie regelmäßige Pausen. Beschränken Sie die Beanspruchung pro Tag.

Sollten bei Ihnen eines der zuvor beschriebenen Symptome / Zustände auftreten, stellen Sie unverzüglich den Betrieb ein und suchen Sie bezüglich der Symptome einen Arzt auf.

BETRIEB

- Benutzen Sie das Produkt nicht ohne einen korrekt ausgerichtetes oder befestigtes Band. Ein falsch ausgerichtetes Band kann sich von dem Produkt lösen und Verletzungen oder Schäden an der Schleifmaschine verursachen.
- Sichern Sie das Werkstück mit einem Schraubstock oder Klemme an einer geeigneten Werkbank. Das hilft zu verhindern, dass das Werkstück weggeschleudert wird.
- Benutzen Sie die mitgelieferten Griffe, um das Produkt mit beiden Händen zu halten und zu kontrollieren.
- Bewegen Sie das Gerät nicht mit Gewalt. Verwenden Sie das richtige Produkt für Ihre Anwendung. Das richtige Produkt erledigt die Arbeit besser und sicherer mit der Geschwindigkeit für die es ausgelegt wurde.
- Üben Sie keinen zu starken Druck auf das Produkt aus. Lassen Sie das Gewicht des Produktes den richtigen Druck ausüben und benutzen Ihre Hände, um die Schleifmaschine zu führen. Übermäßiger Druck wird das Produkt überlasten und den Motor beschädigen. Wenn mehr Druck ausgeübt wird, wird nicht mehr Material abgetragen und stattdessen der Schleifvorgang weniger effizient.
- Wechseln Sie das Schleifband oft, um die Fähigkeit des Produktes, Material effizient abzutragen, zu erhalten.
- Starten Sie das Produkt mit dem Ein-/Ausschalter und lassen das Band die richtige Geschwindigkeit erreichen. Senken Sie dann das Band auf das Werkstück. Halten Sie das Produkt mit beiden Händen fest, weil die Bewegung des Bandes das Produkt nach vorne bewegt.
- Wählen Sie ein Band mit der richtigen Größe und Körnung für die Aufgabe. Benutzen Sie ein Band mit niedriger Körnungszahl, um mehr Material abzutragen; eine höhere Körnungszahl, um weniger Material für eine glatter Oberfläche abzutragen. Wechseln Sie das Band, wenn es beschädigt, mit Ablagerungen verschmiert oder abgenutzt ist.
- Es ist normal zu Schleifen und das Produkt entlang der Maserung des Materials hin und her zu bewegen. Schleifen gegen die Maserung funktioniert, aber das Ergebnis ist eine verkratzte und beschädigte Oberfläche.





EN
FR
DE
ES
IT
NL
PT
DA
SV
FI
NO
RU
PL
CS
HU
RO
LV
LT
ET
HR
SL
SK
BG
UK
TR
EL

⚠️ WARNUNG

Staub von bestimmten Farben, Beschichtungen und Materialien können Irritationen oder allergische Reaktionen der Atemwege verursachen. Staub von Holz wie Eiche, Buche, Faserstoffplatten und anderen ist krebserregend. Asbesthaltige Materialien dürfen nur von qualifizierten Spezialisten bearbeitet oder verarbeitet werden.

- Benutzen Sie den Staubauffangeinrichtung oder schließen die Staubauffangeinrichtung an einen Staubsauger an, um um die mit Staubpartikeln verbundenen Risiken zu verringern.
- Alle Personen im Arbeitsbereich oder in dessen Nähe sollten Staubmasken tragen, die angemessenen Schutz bieten.
- Tragen Sie stets eine Sicherheits- oder Schutzbrille mit Seitenschutz, wenn Sie mit Geräten arbeiten.

⚠️ WARNUNG

Verletzungen können durch lange Benutzung eines Werkzeugs entstehen oder verschlimmert werden. Machen Sie regelmäßig Pause, wenn Sie ein Werkzeug für lange Zeit benutzen.

MACHEN SIE SICH MIT IHREM PRODUKT VERTRAUT

Siehe Seite 107.

1. vorderer Handgriff
2. Feststelltaste
3. Hauptgriff
4. Anschluss Staubabsaugung
5. Akku-Aufnahmeschacht
6. Schleifband Einstellknopf
7. Ein-/Ausschalter
8. Schleifbandlösehebel
9. Frontgriff Einstellknopf
10. Staubabsaugadapter
11. Staubauffangeinrichtung
12. Schleifband (60er Korn)
13. Schleifband (100er Korn)
14. Schleifband (120er Korn)

WARTUNG UND PFLEGE

⚠️ WARNUNG

Das Produkt sollte niemals an das Stromnetz angeschlossen sein, wenn Sie Teile zusammenbauen, Reinigen, Wartungsarbeiten durchführen, oder wenn das Produkt nicht benutzt wird. Trennen des Produktes vom Stromnetz verhindert ein unbeabsichtigtes Einschalten, das schwere Verletzungen verursachen könnte.

⚠️ WARNUNG

Verwenden Sie für die Wartung nur identische Ryobi-Ersatzteile. Der Einsatz von anderen Teilen kann eine Gefahr verursachen oder das Produkt beschädigen.

⚠️ WARNUNG

Entfernen Sie vor der Reinigung des Produkts stets das Schleifband. Die Missachtung dieser Vorschrift kann zu schweren Körperverletzungen führen.

Vermeiden Sie beim Reinigen der Plastikteile den Einsatz von Lösungsmitteln. Die meisten Kunststoffstoffe können durch im Handel erhältliche Lösungsmittel beschädigt werden. Verwenden Sie einen sauberen Lappen für die Reinigung von Verschmutzungen, Karbonstaub usw.

⚠️ WARNUNG

Lassen Sie niemals Bremsflüssigkeiten, Benzine, Produkte auf Erdölbasis, Rostlöser usw. mit den Plastikteilen in Kontakt geraten. Diese chemischen Produkte enthalten Substanzen, die den Kunststoff beschädigen, schwächen oder zerstören können.

Elektrische Geräte, die zur Bearbeitung von Glasfasermaterial, Gipsplatten und Verkleidungsplatten verwendet werden, werden schneller abgenutzt und versagen möglicherweise vorzeitig, weil die Späne und Schleifstaub dieser Materialien sehr abrasiv für Lager, Bürsten, Kollektoren usw. sind. Wir empfehlen nicht das Produkt für längere Zeit mit diesen Materialien zu benutzen.

Entfernen Sie das band nach jedem Einsatz und, falls montiert, den Staubfänger. Reinigen Sie den Staubfänger, wie in der Abbildung dieser Bedienungsanleitung gezeigt. Reinigen Sie das Produkt gründlich mit einer Bürsten, trockenem Tuch oder Staubsauger.

⚠️ WARNUNG

Benutzen Sie keine Druckluft, um Staub von dem Produkt zu blasen, um schwere Augenverletzungen zu verhindern.

Alle Reparaturen sollten zur besseren Sicherheit und Zuverlässigkeit von einem autorisierten Kundendienst durchgeführt werden.

Alle Lagerelemente in diesem Werkzeug sind mit genug qualitativ hochwertigem Schmiermittel für die gesamte Lebensdauer unter normalen Betriebsbedingungen geölt. Es ist daher keine zusätzliche Schmierung erforderlich.

UMWELTSCHUTZ



Recyceln Sie die Rohstoffe, anstatt sie im Haushaltsabfall zu entsorgen. Zum Schutz der Umwelt müssen das Gerät, die Zubehörteile und die Verpackungen getrennt entsorgt werden.



SYMBOL



Sicherheitswarnung

V Volt

n_0

Leerlaufdrehzahl

min^{-1}

Anzahl Umdrehungen oder Bewegungen pro Minute



Gleichstrom



CE-Konformität



EurAsian Konformitätszeichen



Ukrainisches Prüfzeichen



Bitte lesen Sie die Anweisungen sorgfältig, bevor Sie das Gerät einschalten.



Gehörschutz tragen



Augenschutz tragen



Elektrische Geräte sollten nicht mit dem übrigen Müll entsorgt werden. Bitte entsorgen Sie diese an den entsprechenden Entsorgungsstellen. Wenden Sie sich an die örtliche Behörde oder Ihren Händler, um Auskunft über die Entsorgung zu erhalten.

GEFAHR

Bezeichnet eine unmittelbare Gefahrensituation, die, falls nicht vermieden, zum Tode oder schweren Verletzungen führen kann.

WARNUNG

Bezeichnet eine mögliche Gefahrensituation, die, falls nicht vermieden, zum Tode oder schweren Verletzungen führen kann.

ACHTUNG

Bezeichnet eine mögliche Gefahrensituation, die, falls nicht vermieden, zu kleineren und mittleren Verletzungen führen kann.

ACHTUNG

(Ohne Warnsymbol) weist auf eine Situation hin, die zu Sachschaden führen kann.

SYMBOLE IN DER BEDIENUNGSANLEITUNG



Hinweis



Teile oder Zubehör getrennt erhältlich



Öffnen



Sperrern

Mit den folgenden Symbolen wird die Bedeutung der verschiedenen Risikostufen, die mit dem Produkt einhergehen, dargestellt.

Seguridad, desempeño y fiabilidad han sido las prioridades en el diseño de su lijadora de banda.

USO PREVISTO

Esta lijadora de banda está diseñada para lijar metal, madera, plástico o materiales similares. También sirve para eliminar pintura, barniz y corrosión de las superficies.

Está diseñada para ser utilizada por operarios que hayan leído el manual de instrucciones y comprendido el peligro y los riesgos. El producto solo debe utilizarse en áreas bien ventiladas.

El producto está diseñado solo para lijado en seco. No utilice el aparato para el lijado en húmedo.

La lijadora de banda está diseñada solo para uso doméstico. Utilice el producto exclusivamente para el uso para el que fue diseñado.

⚠ ADVERTENCIA

El polvo de ciertas pinturas, revestimientos y materiales puede causar irritación o reacciones alérgicas en el sistema respiratorio. El polvo de madera como el roble, la haya, el MDF y otros es cancerígeno. El material que contiene amianto sólo debe ser trabajado o procesado por operadores especialistas cualificados.

⚠ ADVERTENCIA

Lea todas las instrucciones y advertencias de seguridad. No seguir las advertencias e instrucciones correctamente puede provocar descargas eléctricas, incendios y/o daños graves.

Guarde todas estas advertencias e instrucciones para futuras referencias.

ADVERTENCIAS GENERALES DE SEGURIDAD DE LA PLATAFORMA DE TRABAJO

⚠ ADVERTENCIA

Lea todas las advertencias de seguridad laboral y todas las instrucciones proporcionadas para montar la plataforma de trabajo y la herramienta eléctrica. No seguir las advertencias e instrucciones correctamente puede provocar descargas eléctricas, incendios y/o daños graves.

- **Guarde todas estas advertencias e instrucciones para futuras referencias.**
- El término "herramienta eléctrica" incluido en las advertencias hace referencia a su herramienta eléctrica conectada a la red eléctrica (con cable) o a su herramienta eléctrica alimentada con batería (inalámbrica).
- **Desconecte el enchufe de la fuente de alimentación y/o el paquete de baterías de la herramienta eléctrica antes de realizar ningún ajuste o cambiar**

los accesorios. Activar de manera accidental la herramienta eléctrica puede provocar accidentes.

- **Monte adecuadamente la plataforma de trabajo antes de montar la herramienta.** Es importante que se monte adecuadamente para evitar el riesgo de que se desarme.
- **Sujete con seguridad la herramienta eléctrica a la plataforma de trabajo antes de su uso.** Mover la herramienta eléctrica en la plataforma de trabajo puede provocar que se pierda el control.
- **Coloque la plataforma de trabajo en una superficie nivelada, sólida y plana.** Si la plataforma de trabajo se puede mover o sacudir, la herramienta eléctrica o pieza de trabajo no está segura y firmemente controlada.
- **No sobrecargue la plataforma de trabajo ni la utilice como escalera o andamio.** Sobrecargar o subirse encima de la plataforma de trabajo provoca que la plataforma sea demasiado "pesada" y es probable que vuelque.

ADVERTENCIAS DE SEGURIDAD DE LA LIJADORA DE BANDA

- **Utilice siempre gafas de seguridad y una mascarilla.**
- **Debe utilizar una máscara facial con filtro cuando lije superficies cubiertas con pintura a base de plomo, al igual que cuando trabaje ciertas maderas o metales, para evitar la inhalación de polvo o de vapores tóxicos.**
- **El producto no es apto para lijado en húmedo.**
- **No utilice una banda lijadora mayor de lo necesario.**

ADVERTENCIAS DE SEGURIDAD DE LA BATERÍA ADICIONAL

⚠ ADVERTENCIA

Para reducir el riesgo de incendio, lesión personales y daños al producto debido a un cortocircuito, no sumerja nunca la herramienta, el paquete de baterías o el cargador en líquido ni permita que fluya un fluido dentro de ellos. Los fluidos corrosivos o conductivos, como el agua de mar, ciertos productos químicos industriales y blanqueadores o lejías que contienen, etc., Pueden causar un cortocircuito.

TRANSPORTE DE BATERÍAS DE LITIO

Transporte la batería de conformidad con las disposiciones y las normativas locales y nacionales.

Cuando las baterías sean transportadas por un tercero, cumpla los requisitos especiales relativos al embalaje y etiquetado. Asegúrese de que ninguna batería entra en contacto con otra batería o con materiales conductores durante el transporte, proteja los conectores expuestos con tapones o tapas aislantes no conductoras. No transporte baterías con fisuras o fugas. Para más asesoramiento, póngase en contacto con la empresa de distribución.

RIESGOS RESIDUALES

Incluso cuando se utiliza el producto según las instrucciones, sigue siendo imposible eliminar por completo ciertos factores de riesgo residuales. Pueden surgir los siguientes riesgos durante el uso y el operador debe prestar especial atención para evitar lo siguiente:

- Quedar atrapado o contacto con la banda móvil
Debe actuarse con la máxima precaución, especialmente durante el funcionamiento en modo inverso, para evitar que los dedos y manos del operario entren en contacto con la banda abrasiva o queden atrapados en los rodillos.
- Contacto con o inhalación de polvo
Mientras se utiliza el producto, se producirán considerables cantidades de polvo y partículas finas. Use el dispositivo de recogida de polvo o conecte un aspirador para extracción de polvo al utilizar el producto. Use mascarillas protectoras con filtros adecuados para los materiales con los que va a trabajar. Asegure una ventilación adecuada del lugar de trabajo. No comer, beber o fumar en el área de trabajo.
- Riesgo de explosión
El polvo acumulado puede arder y provocar incendios. Mantenga la zona de trabajo limpia y libre de polvo. Los sistemas de recogida de polvo y extracción de humos deben limpiarse a fondo y con frecuencia. Al lijar metal, pueden producirse chispas.
- ruido y vibración
Utilice protección ocular al utilizar el producto. No utilice el producto durante largos periodos de tiempo.

REDUCCIÓN DEL RIESGO

Se ha informado de que las vibraciones de las herramientas manuales pueden contribuir a una enfermedad llamada síndrome de Raynaud en ciertos individuos. Los síntomas pueden incluir hormigueo, entorpecimiento y decoloración de los dedos, generalmente aparentes cuando tiene lugar una exposición al frío. Se considera que los factores hereditarios, exposición al frío y a la humedad, dieta, tabaquismo y prácticas de trabajo contribuyen al desarrollo de estos síntomas. Existen medidas que pueden ser tomadas por el operador para reducir los efectos de vibración:

- Mantenga su cuerpo caliente durante el tiempo frío. Al manipular la unidad, utilice guantes para mantener las manos y las muñecas calientes. Hay informes que indican que el tiempo frío es un gran factor que contribuye al síndrome de Raynaud.
- Después de cada período de funcionamiento, realice ejercicios para aumentar la circulación sanguínea.
- Haga pausas de trabajo frecuentes. Limite la cantidad de exposición por día.

Si siente alguno de los síntomas de esta enfermedad, interrumpa inmediatamente el uso y consulte a su médico estos síntomas.

FUNCIONAMIENTO

- No active el producto si la banda no está adecuadamente encajada y ajustada. Una banda mal encajada puede salirse del producto y causar lesiones personales o daños a la lijadora.
- Sujete la pieza de trabajo con un torno o abrazadera a un banco de trabajo adecuado. Esto ayuda a evitar que la pieza de trabajo se lance.
- Use los mangos suministrados para sujetar y controlar el producto con ambas manos.
- No fuerce el producto. Use el producto adecuado para su aplicación. El producto adecuado funcionará mejor y de forma más segura en el ámbito para el que está diseñado.
- No ejerza demasiada presión sobre el producto. Deje que el peso del producto aplique la presión correcta y use las manos para guiar la lijadora. Una presión excesiva sobrecargará el producto y dañará el motor. Aplicar más presión no eliminará más material, sino que reducirá la eficacia del lijado.
- Cambie la banda de lijado con frecuencia para mantener la capacidad del producto de eliminar material de manera eficaz.
- Arranque el producto usando el interruptor y deje que la banda alcance la velocidad correcta. Luego, baje la banda hacia la pieza de trabajo. Debe sujetar firmemente el producto con ambas manos porque el movimiento de la banda impulsará el producto hacia delante.
- Seleccione una banda del tamaño correcto y la resistencia adecuada para el trabajo. Use bandas con un número inferior para eliminar más material; los números superiores sirven para eliminar menos material y para acabados más finos. Cambie la banda si está dañada, obstruida por residuos o desgastada.
- Es normal lijar y mover el producto adelante y atrás en el sentido del grano del material. Lijar a través del grano funcionará pero los resultados serán una superficie raspada y dañada.

⚠ ADVERTENCIA

El polvo de ciertas pinturas, revestimientos y materiales puede causar irritación o reacciones alérgicas en el sistema respiratorio. El polvo de madera como el roble, la haya, el MDF y otros es cancerígeno. El material que contiene amianto sólo debe ser trabajado o procesado por operadores especialistas cualificados.

- Use el colector de polvo o conecte la abertura de salida a un aspirador para reducir los riesgos asociados a las partículas de polvo.
- Todas las personas que se encuentren en la zona de trabajo o en sus inmediaciones deben utilizar máscaras antipolvo que ofrezcan una protección adecuada.
- Lleve siempre gafas de seguridad o gafas de protección con pantallas laterales cuando utilice herramientas eléctricas.



⚠ ADVERTENCIA

El uso prolongado de la herramienta puede provocar o agravar lesiones. Al utilizar cualquier herramienta durante períodos prolongados asegúrese de tomar descansos regulares.

CONOZCA EL PRODUCTO

Consulte la página 107.

1. Manillar frontal
2. Botón de activación del bloqueo
3. Mango principal
4. Boquilla de aspiración
5. Puerto de la batería
6. Perilla de ajuste de la banda lijadora
7. Gatillo
8. Palanca de desbloqueo de la banda lijadora
9. Botón de ajuste del manillar frontal
10. Adaptador para aspirador
11. Bolsa para el polvo
12. Lijadora de banda (grano 60)
13. Lijadora de banda (grano 100)
14. Lijadora de banda (grano 120)

MANTENIMIENTO

⚠ ADVERTENCIA

No conecte el producto a la toma de corriente cuando esté realizando operaciones de montaje de piezas, limpieza y mantenimiento, o cuando el producto no esté en uso. Apagar el aparato evitará que se ponga en marcha accidentalmente y cause lesiones graves.

⚠ ADVERTENCIA

Si fuera preciso cambiar algún elemento, utilice exclusivamente piezas de recambio Ryobi originales. El uso de otras piezas puede ocasionar riesgos o daños en el producto.

⚠ ADVERTENCIA

Retire siempre la banda de lijado del producto antes de proceder a su limpieza. De lo contrario podría causar lesiones personales graves.

Evite el uso de disolventes para limpiar las piezas de plástico. La mayor parte de los plásticos pueden resultar dañados con los disolventes que se venden en el mercado. Utilice un paño limpio para quitar las impurezas, el polvo, etc.

⚠ ADVERTENCIA

No permita en ningún momento que las piezas de plástico entren en contacto con líquido de frenos, gasolina, productos derivados del petróleo, aceites penetrantes, etc. Estos productos químicos contienen sustancias que pueden deteriorar, debilitar o destruir el plástico.

Las herramientas eléctricas utilizadas en material de fibra de vidrio, placas de yeso o paneles de revestimiento suelen desgastarse más rápidamente y tener fallos o averías prematuramente ya que la viruta y el serrín resultantes de la fibra de vidrio son muy abrasivos para los cojinetes, las escobillas, los interruptores, etc. No recomendamos utilizar el aparato durante largos períodos de tiempo en estos tipos de materiales.

Después de cada uso, retire la banda y el colector de polvo, en su caso. Limpie el colector de polvo tal como se indica en las imágenes. Limpie a fondo el producto con un cepillo, un paño seco y un aspirador.

⚠ ADVERTENCIA

No use aire comprimido para eliminar el polvo del producto a fin de evitar lesiones oculares graves.

Para una mayor seguridad y fiabilidad, todas las reparaciones deben ser realizadas por un centro de servicio autorizado Ryobi.

Todos los rodamientos de esta herramienta están lubricados con cantidad suficiente de lubricante de grado alto para toda la vida de la unidad en condiciones de funcionamiento normales. Por lo tanto, no es menester prever ninguna lubricación adicional.

PROTECCIÓN DEL MEDIO AMBIENTE



Recicle las materias primas en lugar de tirarlas a la basura doméstica. Para proteger el medio ambiente, debe separar la herramienta, los accesorios y los embalajes.

SÍMBOLO



Atención

V

Voltios

n_0

Sin velocidad de carga


min⁻¹


Número de revoluciones o movimientos por minuto

- EN
- FR
- DE
- ES
- IT
- NL
- PT
- DA
- SV
- NO
- FI
- RU
- PL
- CS
- HU
- RO
- LV
- LT
- ET
- HR
- SL
- SK
- BG
- UK
- TR
- EL





 Corriente directa


 Conformidad con CE


 Certificado EAC de conformidad

 Marca de conformidad ucraniana

 Por favor lea las instrucciones detenidamente antes de arrancar la máquina.


 Utilice dispositivos de protección para los oídos

 Utilice gafas de seguridad


 Los productos eléctricos de desperdicio no deben desecharse con desperdicios caseros. Por favor recíclelos donde existan dichas instalaciones. Compruebe con su autoridad local o minorista para reciclar.

SÍMBOLOS EN ESTE MANUAL

 Nota

 Las piezas o accesorios se venden por separado

 Desbloquear

 Bloquear

Los siguientes símbolos y palabras detallan los niveles de cuidado necesarios para usar este producto.

PELIGRO

Indica una situación inminente de peligro que, si no se evita, provocará la muerte o lesiones graves.

ADVERTENCIA

Indica una situación potencialmente peligrosa que, si no se evita, podría causar la muerte o lesiones graves.

PRECAUCIÓN

Indica una situación potencialmente peligrosa que, si no se evita, puede provocar lesiones leves o moderadas.

PRECAUCIÓN

(Sin símbolo de seguridad) Indica una situación que podría ocasionar daños materiales.

E' stata data massima priorità a sicurezza, prestazioni e affidabilità nel design di questa levigatrice a nastro.

UTILIZZO

Questa smerigliatrice a nastro è adatta a levigare metalli, legno, plastica ed altri materiali simili. L'utensile è adatto a rimuovere vernice, lucido e corrosione da superfici.

E' adatto per essere utilizzato da operatori che hanno letto il manuale di istruzioni e comprendono rischi e i pericoli connessi. Il prodotto deve essere utilizzato solo in zone ben ventilate.

Il prodotto è progettato solo per operazioni di levigatura a secco. Non utilizzare il prodotto per operazioni di levigatura ad umido.

La levigatrice a cinghia è progettata solo per utilizzo domestico. Non utilizzare il prodotto in modi diversi da quelli indicati.

⚠ AVVERTENZE

La polvere di alcune vernici, rivestimenti e materiali potrà causare irritazioni o reazioni allergiche al sistema respiratorio. La polvere prodotta da legno come quercia, betulla, pannelli di fibra a media densità (MDF) e altri tipi di legname è cancerogena. Materiali contenenti amianto devono essere lavorati o manipolati solo da operatori specializzati qualificati.

⚠ AVVERTENZE

Leggere tutti gli avvertimenti e le istruzioni di sicurezza. La mancata osservanza delle avvertenze e delle istruzioni potrà causare scosse elettriche, incendi e/o gravi lesioni personali.

Riporre tutte le avvertenze e le istruzioni per eventuali riferimenti futuri.

AVVERTENZE GENERALI DI SICUREZZA DEL SUPPORTO DA LAVORO

⚠ AVVERTENZE

Leggere tutte le avvertenze di sicurezza e tutte le istruzioni fornite con il supporto da lavoro e l'elettrostrumento da montare. La mancata osservanza delle avvertenze e delle istruzioni potrà causare scosse elettriche, incendi e/o gravi lesioni personali.

- **Conservare tutte le istruzioni e le avvertenze per eventuali riferimenti futuri.**
- Il termine "elettrostrumento" nelle avvertenze si riferisce all'utensile elettrico alimentato con un cavo o all'utensile elettrico alimentato con una batteria (senza fili).
- **Scollare la spina dalla presa di corrente e/o la batteria dall'elettrostrumento prima di eseguire la regolazione o la sostituzione degli accessori.** L'avvio accidentale dell'elettrostrumento può causare

incidenti.

- **Montare correttamente il supporto da lavoro prima di montare l'utensile.** Il montaggio adeguato è importante per prevenire il cedimento.
- **Fissare saldamente l'utensile al supporto da lavoro prima dell'uso.** Lo spostamento dell'elettrostrumento sul supporto da lavoro può causare perdita di controllo.
- **Posizionare il supporto da lavoro su una superficie piana ed orizzontale.** Quando il supporto da lavoro può spostarsi o muoversi, l'elettrostrumento o il pezzo non può essere controllato in modo costante e sicuro.
- **Non sovraccaricare il supporto da lavoro né utilizzarlo come scala o impalcatura,** poiché potrebbe creare pressione eccessiva sul supporto e comportare il rischio di ribaltamento.

AVVERTENZE DI SICUREZZA LEVIGATRICE A CINGHIA

- **Indossare sempre occhiali di protezione e una maschera per la polvere.**
- **Indossare una maschera antipolvere adeguata quando si levigano superfici ricoperte di pittura al piombo nonché alcuni tipi di legno o di metallo, al fine di non inalare polveri o vapori tossici.**
- **Il prodotto non è adatto per levigatura ad umido.**
- **Non utilizzare nastri abrasivi più grandi di quelli indicati.**

AVVERTENZE AGGIUNTIVE PER LA SICUREZZA DELLA BATTERIA

⚠ AVVERTENZE

Per ridurre il rischio d'incendio, di lesioni o di danni al prodotto causati da corto circuito, non immergere mai l'utensile, la batteria ricaricabile o il carica batterie in un liquido e non lasciare mai penetrare alcun liquido all'interno dei dispositivi e delle batterie. I fluidi corrosivi o conduttori come acqua salata, alcuni agenti chimici, agenti candeggianti o prodotti contenenti agenti candeggianti potrebbero provocare un corto circuito.

TRASPORTARE BATTERIE AL LITIO

Trasportare la batteria secondo quanto indicato dalle norme e regolamentazioni locali e nazionali.

Seguire tutte le istruzioni speciali riportate sulla scatola e sull'etichetta quando si fanno trasportare batterie da eventuali terzi. Assicurarsi che le batterie non entrino in contatto con altre batterie o materiali conduttivi durante il trasporto proteggendo i connettori esposti con tappi isolanti, non conduttivi o nastro adesivo. Non trasportare batterie rotte o che perdono liquidi. Rivolgersi alla ditta distributrice per ulteriori consigli.

RISCHI RESIDUI

Anche quando il prodotto viene utilizzato come indicato, sarà ancora impossibile eliminare completamente alcuni fattori di rischio residuo. Si potranno verificare i seguenti rischi e l'operatore dovrà prestare particolare attenzione per evitare quanto segue:

- Intrappolamento o contatto con la cinghia in movimento
Seguire sempre ulteriori avvertenze di sicurezza, soprattutto durante operazioni al contrario, per prevenire eventuali intrappolamenti di dita e mani dell'operatore da contatto con la cinghia abrasiva o intrappolamento da rulli.
- Contatto o inalazione di polvere
Durante l'utilizzo l'utensile produce una considerevole quantità di polvere e particelle. Utilizzare il dispositivo di raccolta o collegare un aspiratore per l'estrazione della polvere quando si mette in funzione il prodotto. Indossare maschere di protezione contenenti filtri adeguati ai materiali che si stanno manipolando. Assicurarsi una adeguata ventilazione del luogo di lavoro. Non mangiare, bere, né fumare nell'area di lavoro.
- Rischio di esplosione
Polveri fini che si accumulano potranno accendersi e causare incendi. Tenere l'area di lavoro pulita e rimuovere dalla stessa la polvere. I sistemi di raccolta polvere ed estrazione e aspirazione devono essere regolarmente e attentamente puliti. Quando si levigano metalli, si potranno produrre scintille calde.
- rumore e vibrazioni
Indossare cuffie di protezione quando si mette in funzione il prodotto. Non mettere in funzione il prodotto per lunghi periodi di tempo.

RIDUZIONE DEL RISCHIO

E' stato fatto presente che le vibrazioni da utensili a mano potrebbero contribuire a una condizione chiamata Sindrome di Raynaud in alcuni individui. I sintomi, comprendenti formicolio, intorpidimento e perdita di colore alle dita, si verificano di solito quando ci si espone al freddo. Fattori ereditari, esposizione a freddo e umidità, una dieta scorretta, fumo e condizioni di lavoro non sicure potranno contribuire allo sviluppo di questi sintomi. È possibile prendere delle precauzioni per ridurre le vibrazioni:

- Tenere il corpo al caldo a basse temperature. Quando si utilizza l'utensile, indossare guanti e tenere le mani e i polsi caldi. Le basse temperature contribuiscono a causare la Sindrome di Raynaud.
- Dopo aver utilizzato l'utensile per un certo periodo, fare degli esercizi per stimolare la circolazione del sangue.
- Fare spesso delle pause. Limitare la quantità di esposizione giornaliera.

Nel caso in cui si provino i sintomi di questa condizione, interrompere immediatamente l'utilizzo dell'utensile e consultare un dottore.

FUNZIONAMENTO

- Non mettere in funzione il prodotto senza una cinghia accuratamente inserita e montata. Una cinghia incorrettamente montata potrà fuoriuscire dal prodotto e causare lesioni personali o danni alla levigatrice.
- Assicurare il pezzo sul quale si sta lavorando con ganasce o morsetti a un tavolo di lavoro idoneo. Ciò aiuterà ad evitare che l'oggetto sul quale si sta lavorando diventi un proiettile.
- Utilizzare i manici forniti per reggere e controllare il prodotto con entrambe le mani.
- Non forzare il prodotto. Utilizzare il prodotto corretto per il lavoro da svolgere. Il prodotto corretto svolgerà il lavoro in modo migliore e in maniera più sicura se lo si utilizza alla potenza di utilizzo per la quale è stato progettato.
- Non applicare una pressione eccessiva sul prodotto. Lasciare che il peso del prodotto applichi la corretta pressione e utilizzare le mani per guidare la levigatrice. Una pressione eccessiva sovraccaricherà il prodotto e danneggerà il motore. Applicare ulteriore pressione non permetterà di rimuovere ulteriore materiale e ridurrà invece l'efficienza di levigatura.
- Cambiare la cinghia di levigatura spesso per mantenere la capacità del prodotto di rimuovere materiale in maniera efficace.
- Avviare il prodotto utilizzando l'interruttore a grilletto e permettendo alla cinghia di raggiungere la corretta velocità. Abbassare quindi la cinghia sul pezzo sul quale si sta lavorando. Reggere il prodotto con entrambe le mani dal momento che il movimento della cinghia guiderà il prodotto in avanti.
- Scegliere una cinghia delle dimensioni corrette e della consistenza idonea al compito da svolgere. Utilizzare le cinghie con un numero di grana più basso per rimuovere ulteriore materiale; cinghie con un numero di grana più alto per rimuovere meno materiale e per una rifinitura più precisa. Sostituire la cinghia se si danneggia, si blocca a causa di detriti o si consuma.
- E' normale levigare e spostare il prodotto avanti e indietro seguendo il senso della fibra. Levigare seguendo il senso di fibra funzionerà ma risulterà in superfici graffiate e rovinate.

AVVERTENZE

La polvere di alcune vernici, rivestimenti e materiali potrà causare irritazioni o reazioni allergiche al sistema respiratorio. La polvere prodotta da legno come quercia, betulla, pannelli di fibra a media densità (MDF) e altri tipi di legname è cancerogena. Materiali contenenti amianto devono essere lavorati o manipolati solo da operatori specializzati qualificati.

- Utilizzare il collettore polvere o collegare la porta per la polvere a un dispositivo di aspirazione per ridurre i rischi associati con le particelle di polvere.
- Tutte le persone che si trovano nell'area di lavoro

o nelle vicinanze devono indossare delle maschere antipolvere che offrano adeguata protezione.

- Durante l'uso di un utensile, indossare sempre occhiali di sicurezza o occhiali di protezione muniti di schermi laterali.

⚠ AVVERTENZE

L'utilizzo prolungato dell'utensile potrà causare o aggravare lesioni già esistenti. Quando si utilizza questo utensile per periodi di tempo prolungati, assicurarsi di fare sempre delle pause regolari.

FAMILIARIZZARE CON IL PRODOTTO

Vedere a pagina 107.

1. Manico frontale
2. Pulsante di blocco
3. Maniglia principale
4. Ugello di aspirazione
5. Porta batterie
6. Manopola di regolazione levigatrice a nastro
7. Grilletto
8. Leva di rilascio levigatrice a nastro
9. Pulsante di regolazione manico frontale
10. Adattatore per aspirazione
11. Sacchetto per la polvere
12. Nastro di levigatura (grana 60)
13. Nastro di levigatura (grana 100)
14. Nastro di levigatura (grana 120)

MANUTENZIONE

⚠ AVVERTENZE

Il prodotto non deve essere collegato a una presa dell'alimentazione quando si montano parti, svolgono operazioni di pulizia e manutenzione o quando il prodotto non viene utilizzato. Scollegare il prodotto per prevenire l'avvio accidentale che potrà causare gravi lesioni.

⚠ AVVERTENZE

In caso di sostituzione, utilizzare solo parti di ricambio originali Ryobi. Utilizzare parti di ricambio diverse potrebbe causare rischi o danneggiare il prodotto.

⚠ AVVERTENZE

Prima della pulizia rimuovere sempre il nastro di levigatura dal prodotto. La mancata osservanza di questa norma potrebbe comportare gravi lesioni fisiche.

Evitare di utilizzare solventi quando si puliscono le parti in plastica. La maggior parte dei materiali plastici rischia di essere danneggiata dall'uso dei solventi disponibili in commercio. Utilizzare un panno pulito per rimuovere lo sporco, la polvere, ecc.

⚠ AVVERTENZE

Non lasciare che liquidi per freni, benzina, prodotti a base di petrolio, oli penetranti, ecc. entrino in contatto con le parti in plastica. Tali prodotti chimici contengono sostanze che possono danneggiare, indebolire o distruggere la plastica.

Gli apparecchi elettrici utilizzati su prodotti in fibra di vetro, lastre di gesso o pannelli di rivestimento tendono ad usurarsi più rapidamente e a presentare precoci problemi di funzionamento dal momento che trucioli e segatura prodotti da tali materiali risultano molto abrasivi nei confronti dei componenti di apparecchi elettrici quali gli ingranaggi, le spazzole, gli interruttori, ecc. Non raccomandiamo di utilizzare il prodotto per lunghi periodi di tempo su questi tipi di materiali.

Dopo ogni utilizzo, rimuovere la cinghia e il collettore polvere se inseriti. Pulire il collettore polvere come indicato nelle illustrazioni nel presente manuale. Pulire il prodotto attentamente con una spazzola, un panno asciutto e un aspirapolvere.

⚠ AVVERTENZE

Non utilizzare aria compressa per soffiare polvere dal prodotto e prevenire gravi lesioni agli occhi.

Per una maggior sicurezza e affidabilità, tutte le riparazioni dovranno essere svolte da un centro servizi autorizzato Ryobi.

Tutti i cuscinetti di questo utensile sono stati lubrificati con una quantità sufficiente di lubrificante di alta qualità per garantire l'ottimo funzionamento dell'utensile. Di conseguenza, non è necessario effettuare alcuna lubrificazione supplementare.

TUTELA DELL'AMBIENTE



Riciclare le materie prime anziché gettarle tra i rifiuti domestici. Per tutelare l'ambiente, l'apparecchio, gli accessori e gli imballaggi devono essere smaltiti separatamente.

SIMBOLO








Allarme di sicurezza

V Volt


n_o Velocità senza carico

min^{-1} Numero di giri o di movimenti al minuto

 Corrente diretta Conformità CE Marchio di conformità EurAsian Marchio di conformità ucraino Leggere attentamente le istruzioni prima di avviare l'utensile. Indossare cuffie di protezione Indossare occhiali di protezione

I prodotti elettrici non devono essere smaltiti con i rifiuti domestici. Vi sono strutture per smaltire tali prodotti. Informarsi presso il proprio Comune o rivenditore di sicurezza per smaltire adeguatamente tali rifiuti.

SIMBOLI NEL MANUALE

 Note Parti o accessori venduti separatamente Sblocco Blocco

I seguenti simboli indicano i livelli di rischio associati a questo prodotto.

PERICOLO

Indica una situazione immediatamente pericolosa che, se non evitata, potrà causare gravi lesioni o morte.

AVVERTENZE

Indica una situazione potenzialmente pericolosa che, se non evitata potrà causare gravi lesioni o morte.

ATTENZIONE

Indica una situazione potenzialmente pericolosa che, se non evitata, potrà causare lesioni minori o moderate.

ATTENZIONE

(Senza simbolo di allarme in materia di sicurezza) Indica una situazione che può provocare danni materiali.

Veiligheid, prestaties en betrouwbaarheid kregen topprioriteit in het ontwerp van uw [bandschuurmachine].

BEOOGD GEBRUIK

Deze bandschuurmachine is bedoeld voor het schuren van metaal, hout, kunststof of gelijkaardig materiaal. Hij kan ook worden gebruikt om verf, vernis en corrosie van oppervlakken te verwijderen.

Hij is bedoeld om te worden gebruikt door bedieners die de gebruiksaanwijzing hebben gelezen en de risico's en gevaren begrijpen. Het product mag uitsluitend in goed geventileerde ruimtes worden gebruikt.

Het product is uitsluitend ontworpen voor het droog afschuren. Gebruik het product niet voor natschuren.

De bandschuurmachine is uitsluitend bedoeld voor huishoudelijk gebruik. Gebruik het product niet voor andere doeleinden dan waarvoor het is bestemd.

⚠ WAARSCHUWING

Stof van bepaalde verven, coatings of materialen kunnen irritatie of allergische reacties aan de ademhalingswegen veroorzaken. Stof van hout, zoals eik, beuk, MDF en anderen zijn kankerverwekkend. Materiaal dat asbest bevat mag uitsluitend door een gekwalificeerde specialist worden bewerkt of verwerkt.

⚠ WAARSCHUWING

Lees alle veiligheidswaarschuwingen en instructies. Wanneer u deze en en instructies niet opvolgt, kan dit leiden tot electrocutie, brand en/of ernstige letstels.

Bewaar alle waarschuwingen en instructies voor toekomstig gebruik.

ALGEMENE VEILIGHEIDSWAARSCHUWINGEN VOOR DE WERKSTEUN

⚠ WAARSCHUWING

Lees alle veiligheidswaarschuwingen en alle instructies die bij de werksteun en het te monteren elektrische gereedschap worden geleverd. Wanneer u deze en en instructies niet opvolgt, kan dit leiden tot electrocutie, brand en/of ernstige letstels.

- **Bewaar alle waarschuwingen en instructies voor toekomstig gebruik.**
- De term "elektrisch gereedschap" in de waarschuwingen heeft betrekking op uw elektrische gereedschap dat wordt aangedreven door een stroomvoorziening (via een kabel) of gereedschap dat werkt op een accu (snoerloos).
- **Haal de stekker uit de stroombron en/of de accu uit het gereedschap voordat u wijzigingen aanbrengt of accessoires verwisselt.** Sommige ongelukken worden veroorzaakt door het incidenteel starten van

het elektrische gereedschap.

- **Monteer de werksteun op correcte wijze voordat u het gereedschap monteert.** Correcte montage is van belang om het risico op inklappen te voorkomen.
- **Bevestig het elektrische gereedschap vóór gebruik aan de werksteun.** Verschuiving van de werksteun kan leiden tot controleverlies.
- **Plaats de werksteun op een stevig, plat en vlak oppervlak.** Als de werksteun kan verschuiven of schommelen, kunnen het elektrische gereedschap of het werkstuk niet stabiel en veilig gecontroleerd worden.
- **De werksteun niet overbelasten of gebruiken als ladder of steiger.** Overbelasting of staan op de werksteun kan ervoor zorgen dat de steun "topzwaar" wordt en kan omvallen.

VEILIGHEIDSWAARSCHUWINGEN BANDSCHUURMACHINE

- **Draag altijd een veiligheidsbril en stofmasker.**
- **Draag een geschikt stofmasker tijdens het schuren van oppervlakken bedekt met verf op loodbasis en bij het schuren van bepaalde houtsoorten en metalen om te voorkomen dat u giftige stoffen of giftige dampen inademt.**
- **Het product is niet geschikt voor nat schuren.**
- **Gebruik geen grotere schuurband dan noodzakelijk.**

EXTRA WAARSCHUWINGEN BATTERIJVEILIGHEID

⚠ WAARSCHUWING

Vorkom brand, persoonlijk letsel of materiële schade door kortsluiting en dompel het gereedschap, de wisselaccu en het laadtoestel niet onder in vloeistoffen en waarborg dat geen vloeistoffen in de apparaten en accu's kunnen dringen. Corrosieve of geleidende vloeistoffen zoals zout water, bepaalde chemicaliën, bleekmiddelen of producten die bleekmiddelen bevatten, kunnen een kortsluiting veroorzaken.

VERVOEREN VAN LITHIUM BATTERIJEN

Vervoer de accu in overeenstemming met de plaatselijke en nationale voorzieningen en regelgevingen.

Volg alle speciale vereisten op de verpakking en etiketten bij het vervoeren van batterijen door een derde partij. Zorg dat de batterijen tijdens het vervoer niet in contact komen met andere batterijen of geleidende materialen door de blootliggende aansluitpunten te beschermen met een isolerende, niet-geleidende dop of tape. Geen gekraakte of lekkende accu's vervoeren. Controleer bij het doorsturende bedrijf voor verder advies.

RESTRISICO'S

Zelfs wanneer het product zoals voorgeschreven wordt gebruikt, blijft het onmogelijk om alle restrisico's te voorkomen. De volgende gevaren kunnen optreden bij gebruik en de gebruiker dient speciaal op te letten om het volgende te voorkomen:

- knellen of contact met de bewegende band
U moet uiterst voorzichtig zijn, in het bijzonder tijdens de omgekeerde werking, om te voorkomen dat de vingers en handen van de gebruiker in contact komen met de schuurband of door de rollers gekneld raken.
- contact met of stofinhalatie
Tijdens het gebruik van het product, worden een aanzienlijke hoeveelheid stof en fijn deeltjes geproduceerd. Gebruik de stofopvanginrichting of verbindt een stofzuiger aan de machine wanneer u het gebruikt. Draag ademhalingsbeschermingsmaskers met filters die aangepast zijn aan het materiaal waarmee wordt gewerkt. Zorg voor voldoende ventilatie op de werkplaats. Eten, drinken of roken verboden in het werkgebied.
- ontploffingsgevaar
Opgestapeld fijn stof kan ontploffen en brand veroorzaken. Houd het werkbereik schoon en stofvrij. Stofverzamel- en stofzuigsystemen moeten regelmatig en grondig worden gereinigd. Wanneer u metaal schuurt, kunnen vonken worden geproduceerd.
- geluid en trilling
Draag gezichtsbescherming wanneer u het product bedient. Gebruik dit product niet voor een lange periode.

RISICOBEPERKING

Vibraties van handgereedschap kan in bepaalde individuele gevallen leiden tot het syndroom van Raynaud. Symptomen kunnen ondermeer tintelingen, gevoelloosheid en bleek worden van de vingers omvatten, wat normaal gezien duidelijk wordt bij blootstelling aan koude. Erfelijke factoren, blootstelling aan koude en vocht, dieet, roken en werkroutine kunnen allemaal bijdragen tot de ontwikkeling van deze symptomen. Er kunnen door de bediener maatregelen worden genomen om de gevolgen van de trillingen te beperken:

- Houd bij koud weer uw lichaam warm. Draag handschoenen wanneer u de machine gebruikt om handen en polsen warm te houden. Men neemt aan dat koud weer een belangrijke factor is die bijdraagt tot het Syndroom van Raynaud.
- Doe oefeningen om de bloeddoorstroming te bevorderen na elke periode van gebruik.
- Neem regelmatig een pauze. Beperk het aantal uren dat u per dag wordt blootgesteld.

Wanneer u enige van de symptomen van deze aandoening ervaart, stop dan onmiddellijk met het gebruik van het toestel en raadpleeg uw dokter

BEDIENING

- Bedien het product niet zonder dat de band vooraf goed is afgesteld en aangebracht. Een foutief afgestelde riem kan van het product loskomen en lichamelijke letsels of schade aan de bandschuurmachine leiden.
- Maak een werkstuk met een bankschroef of klem aan een geschikte werkbank vast. Dit helpt voorkomen dat het werkstuk wordt weggeslingerd.
- Gebruik de meegeleverde handvatten om het product vast te houden en met beide handen te beheersen.
- Laat het product niet forceren. Gebruik het juiste product voor uw toepassing. Het correcte product zal de taak beter en veiliger uitvoeren aan het tempo waarvoor het is ontworpen.
- Oefen niet té veel druk op het product uit. Laat het gewicht van het product de correcte druk toepassen en gebruik uw handen om de bandschuurmachine te leiden. Overmatige druk leidt tot overbelasting en beschadigt de motor. Meer druk toepassen leidt niet tot het verwijderen van meer materiaal en vermindert in de plaats de schuurefficiëntie.
- Vervang de schuurband regelmatig om te garanderen dat het product effectief materiaal blijft verwijderen.
- Start het product met behulp van de aan-/uitknop en laat de band tot de juiste snelheid komen. Laat de riem dan op het werkstuk zakken. Houd het product stevig in beide handen omdat de beweging van de band het product naar voor duwt.
- Kies een band met de juiste afmetingen en geschikte ruwheid voor de opdracht. Gebruik riemen met een lagere korrel om meer materiaal te verwijderen; hogere korrel om minder materiaal te verwijderen en een fijnere afwerking te krijgen. Vervang de band als deze beschadigd, verstopt met afval of versleten raakt.
- Het is normaal om te schuren en het product heen en weer te bewegen langs de korrel van het materiaal. Schuren dwars op de korrel werkt ook maar leidt tot een beschadigd oppervlak met krassen.

⚠ WAARSCHUWING

Stof van bepaalde verven, coatings of materialen kunnen irritatie of allergische reacties aan de ademhalingswegen veroorzaken. Stof van hout, zoals eik, beuk, MDF en anderen zijn kankerverwekkend. Materiaal dat asbest bevat mag uitsluitend door een gekwalificeerde specialist worden bewerkt of verwerkt.

- Gebruik de stofverzamelaar of verbind een stofpoort met een stofzuiger om de risico's met betrekking tot stofdeeltjes te verminderen.
- Alle personen binnen het werkveld of in de omgeving dienen stofmaskers te dragen die voldoende bescherming bieden.
- Draag altijd een veiligheidsbril of een beschermbril met zijshotjes wanneer u met gereedschap werkt.

⚠ WAARSCHUWING

Letsels kunnen optreden of verergeren door langdurig gebruik van een gereedschap. Als u een werktuig gedurende langere periodes gebruikt, neem dan regelmatig pauze.

KEN UW PRODUCT

Zie pagina 107.

1. Voorste handvat
2. Vergrendelknop
3. Handvat
4. Afzuigmondstuk
5. Accupoort
6. Instelknop schuurband
7. Hendel
8. Ontgrendelingsschakelaar schuurband
9. Instelknop voorste handvat
10. Afzuigadapter
11. Stofzak
12. Schuurriem (60 korrels)
13. Schuurriem (100 korrels)
14. Schuurriem (120 korrels)

ONDERHOUD

⚠ WAARSCHUWING

Het product mag nooit met een stroombron worden verbonden wanneer u onderdelen monteert, schoonmaakt, onderhoudswerken uitvoert of wanneer het product niet wordt gebruikt. Ontkoppelen van het product voorkomt accidenteel opstarten, wat ernstig letsel kan veroorzaken.

⚠ WAARSCHUWING

Gebruik voor vervanging uitsluitend originele Ryobi reserveonderdelen. Gebruik van niet originele onderdelen kan gevaar opleveren of schade aan de machine veroorzaken.

⚠ WAARSCHUWING

Alvorens u het product reinigt, dient u altijd eerst de schuurband te verwijderen. Niet-naleving van dit voorschrift kan ernstig lichamelijk letsel veroorzaken.

Voorkom het gebruik van oplosmiddelen wanneer u kunststof onderdelen reinigt. De meeste kunststoffen kunnen worden beschadigd door de in de handel zijnde oplosmiddelen. Gebruik een schone doek om vuil of stof te verwijderen.

⚠ WAARSCHUWING

Remvloeistof, benzine, producten op basis van petroleum, kruipolie, enz mogen nooit in contact komen met kunststof onderdelen. Deze chemicaliën bevatten namelijk stoffen die kunststof kunnen beschadigen, verzwakken of aantasten.

Gereedschap dat voor bewerking van glasvezeldelen, gipsplaten of bekledingsplaten wordt gebruikt, loopt meer risico om voortijdig te slijten of defect te raken. Het zaagsel en slijpsel dat uit deze materialen ontstaat, heeft een zeer schurende werking op bepaalde onderdelen van elektrisch gereedschap, zoals overbrengingen, borstels, schakelaars, enz. We raden niet aan dat u het product gebruik gedurende langere periodes op deze types materiaal.

Na elk gebruik verwijdert u de band en stofverzamelaar, indien gemonteerd. Maak de stofverzamelaar schoon, zoals afgebeeld in de afbeeldingen in deze gebruiksaanwijzing. Reinig het product grondig met behulp van een borstel, droge doek en stofzuiger.

⚠ WAARSCHUWING

Gebruik geen perslucht om stof van het product weg te blazen om ernstige oogletsels te vermijden.

Voor meer veiligheid en betrouwbaarheid, moeten alle herstellingen door een geautoriseerd Ryobi onderhoudscentrum worden uitgevoerd.

Alle lagers in dit gereedschap zijn gesmeerd met een voldoende hoeveelheid smeermiddel van hoge kwaliteit, wat moet volstaan voor de levensduur van de machine onder normale gebruiksomstandigheden. Extra smering is daarom niet noodzakelijk.

MILIEUBESCHERMING



Zorg dat grondstoffen worden gerecycled in plaats van weggegooid als afval. Om het milieu te beschermen dient de machine, de accessoires en de verpakking gesorteerd bij een erkend recyclingcentrum te worden aangeleverd.

SYMBOOL



Veiligheidswaarschuwing

V Volt





Onbelast toerental


min⁻¹ Aantal toeren of omwentelingen per minuut


 Gelijkstroom


 EU-conformiteit

 EurAsian-symbool van overeenstemming

 Oekraïens conformiteitssymbool

 Lees de instructies zorgvuldig voordat u de machine in gebruik neemt.

 Draag gehoorbescherming


 Draag gezichtsbescherming


 Elektrisch afval mag niet samen met ander huishoudafval worden weggegooid. Gelieve te recyclen indien de mogelijkheid bestaat. Neem contact op met uw gemeente of handelaar om advies te krijgen over recyclage.

LET OP

(Zonder veiligheidssymbool) Geeft een situatie aan die materiële schade zou kunnen veroorzaken.

SYMBOLEN IN DE GEBRUIKSAANWIJZING

 Opmerking

 Onderdelen of accessoires afzonderlijk gekocht

 Ontgrendeling

 Vergrendeling

De volgende kernwoorden en verklaringen zijn bedoeld om de gevarenniveaus die op dit toestel betrekking hebben, te verklaren.

GEVAAR

Wijst op een gevaarlijke situatie die, indien ze niet wordt vermeden, kan leiden tot ernstige verwondingen of de dood.

WAARSCHUWING

Wijst op een mogelijk gevaarlijke situatie die, indien ze niet wordt vermeden, kan leiden tot ernstige verwondingen of de dood.

LET OP

Wijst op een mogelijk gevaarlijke situatie die, indien ze niet wordt vermeden, kan leiden tot lichte of middelmatige verwondingen.

Segurança, desempenho e fiabilidade foram as prioridades na concepção da sua lixadeira de cinta.

UTILIZAÇÃO PREVISTA

Esta lixadora de banda foi desenhada para lixar metal, madeira, plástico ou materiais similares. Também serve para eliminar pintura, verniz e corrosão das superfícies.

Foi desenhada para ser utilizada por operários que tenham lido o manual de instruções e compreendido o perigo e os riscos. O produto apenas deve ser utilizado em áreas bem ventiladas.

O produto foi desenhado apenas para lixar em seco. Não utilize o produto para lixamento húmido.

A lixadora de banda foi desenhada apenas para uso doméstico. Utilize o produto exclusivamente para o uso para o qual foi concebido.

⚠ AVISO

O pó de certas pinturas, revestimentos e materiais pode causar irritação ou reacções alérgicas no sistema respiratório. O pó de madeira como o carvalho, a faia, o MDF e outros é cancerígeno. O material que contém amianto apenas deve ser trabalhado ou processado por operadores especialistas qualificados.

⚠ AVISO

Leia todos os avisos de segurança e todas as instruções. O incumprimento em seguir os s e as instruções pode ter como consequências o choque eléctrico, incêndio e/ou lesões graves.

Guarde todos os avisos e instruções para futuras consultas.

AVISOS GERAIS DE SEGURANÇA PARA O CAVALETE DE TRABALHO

⚠ AVISO

Leia todos os avisos de segurança e todas as instruções fornecidas com o cavalete de trabalho e com a ferramenta eléctrica a ser montada no cavalete. O incumprimento em seguir os s e as instruções pode ter como consequências o choque eléctrico, incêndio e/ou lesões graves.

- **Guarde todos os avisos e instruções para futuras consultas.**
- O termo "ferramenta eléctrica" nos avisos refere-se à sua ferramenta eléctrica alimentada directamente pela rede eléctrica (com cabo eléctrico) ou à sua ferramenta eléctrica alimentada a baterias recarregáveis (sem cabo eléctrico).
- **Antes de fazer quaisquer ajustes ou de substituir acessórios, desencaixe a ficha da tomada da rede eléctrica e/ou retire a bateria da ferramenta**

eléctrica. O arranque accidental da ferramenta eléctrica pode causar acidentes.

- **Arme correctamente o cavalete de trabalho antes de montar a ferramenta no cavalete.** É importante que o cavalete de trabalho seja correctamente armado, para evitar o risco de desabamento.
- **Antes da utilização, fixe a ferramenta eléctrica de forma segura ao montá-la no cavalete de trabalho.** Se a ferramenta eléctrica deslizar e mudar de posição quando montada no cavalete de trabalho, isso poderá causar uma perda de controlo.
- **Posicione o cavalete de trabalho numa superfície sólida, plana e horizontal.** Se o cavalete de trabalho estiver incorrectamente posicionado, poderá oscilar ou deslizar e mudar de posição, não sendo possível controlar a ferramenta eléctrica ou a peça de trabalho com firmeza e em segurança.
- **Não sobrecarregue o cavalete de trabalho nem o utilize como escadote ou andaime.** Se sobrecarregar o cavalete ou se subir para cima dele, isso irá alterar o centro de gravidade do cavalete (ficando mais pesado no topo do que na base), o que torna o cavalete instável e aumenta o risco de tombar.

ADVERTÊNCIAS DE SEGURANÇA DA LIXADORA DE BANDA

- **Utilize sempre óculos de segurança e uma máscara.**
- **Deve usar uma máscara anti-pó adequada quando lixar superfícies revestidas com tinta à base de chumbo assim como certas madeiras e metais, para evitar inalar poeiras ou vapores tóxicos.**
- **O produto não é apto para lixar em húmido.**
- **Não utilize uma lixa maior do que o necessário.**

AVISOS DE SEGURANÇA ADICIONAIS DAS BATERIAS

⚠ AVISO

Para evitar o risco de incêndio, de feridas ou de danificação do produto causado por um curto-circuito, não imerja a bateria intercambiável ou o carregador em líquidos e assegure-se de que líquidos não penetrem nos aparelhos ou nas baterias. Líquidos corrosivos ou condutivos como água salgada, determinadas substâncias químicas ou produtos que contêm branqueadores podem causar um curto-circuito.

TRANSPORTE DE BATERIAS DE LÍTIU

Transporte a bateria em conformidade com as disposições e os regulamentos locais e nacionais.

Respeite os requisitos especiais que existam na embalagem e a etiquetagem durante o transporte de baterias por terceiros. Assegure-se que não há risco de uma bateria entrar em contacto com outra bateria nem com materiais condutores durante o transporte, protegendo os conectores expostos com tampas ou fita isoladoras e não

condutoras. Não transporte baterias com fissuras ou fugas. Contacte a empresa transitária para mais aconselhamento.

RISCOS RESIDUAIS

Mesmo quando se utiliza o produto segundo as instruções, continua a ser impossível eliminar por completo certos fatores de risco residuais. Podem surgir os seguintes riscos durante o uso e o operador deve prestar especial atenção para evitar o seguinte:

- Ficar obstruído ou contactar com a banda móvel
Deve atuar-se com a máxima precaução, especialmente durante o funcionamento em modo inverso, para evitar que os dedos e mãos do operário entrem em contacto com a banda abrasiva ou fiquem obstruídos nos rolos.
- Contacto com ou inalação de pó
Enquanto estiver a usar o produto, será produzida uma quantidade considerável de poeira e partículas finas. Use o dispositivo de recolha de pó ou conecte um aspirador para extração de pó ao utilizar o produto. Use máscaras protetoras com filtros adequados para os materiais com que vai trabalhar. Assegure uma ventilação adequada do local de trabalho. Não coma, beba ou fume na área de trabalho.
- Risco de explosão
O pó acumulado pode arder e provocar incêndios. Mantenha a zona de trabalho limpa e livre de pó. Os sistemas de recolha de pó e extração de fumos devem ser limpos a fundo e com frequência. Ao lixar metal, podem produzir-se faíscas.
- ruído e vibração
Utilize proteção ocular ao utilizar o produto. Não utilize o produto durante longos períodos de tempo.

REDUÇÃO DO RISCO

Informou-se que as vibrações das ferramentas manuais podem contribuir para uma doença chamada síndrome de Raynaud em certos indivíduos. Os sintomas podem incluir formigueiro, entorpecimento e empalidecimento dos dedos, habitualmente visível aquando da exposição ao frio. Estima-se que os factores hereditários, exposição ao frio e humidade, dieta, tabagismo e práticas de trabalho contribuam todos para o desenvolvimento destes sintomas. Existem medidas que podem ser tomadas pelo operador para possivelmente reduzir os efeitos da vibração:

- Mantenha o seu corpo quente durante o tempo frio. Ao operar a unidade, use luvas para manter as mãos e os pulsos quentes. Encontra-se reportado que o tempo frio é um grande factor que contribui para o Síndrome de Raynaud.
- Após cada período de operação, exercite para aumentar a circulação sanguínea.
- Faça pausas frequentes no trabalho. Limite o tempo de exposição por dia.

Caso sinta algum dos sintomas desta doença, interrompa de imediato a sua utilização e consulte o seu médico sobre

estes sintomas.

OPERAÇÃO

- Não opere o produto se a banda não estiver adequadamente encaixada e ajustada. Uma banda mal encaixada pode sair do produto e causar lesões pessoais ou danos na lixadora.
- Segure a peça de trabalho com um torno ou braçadeira a um banco de trabalho adequado. Isto ajuda a evitar que a peça de trabalho se lance.
- Use as asas fornecidas para fixar e controlar o produto com ambas as mãos.
- Não force o produto. Use o produto adequado para a sua aplicação. O produto adequado funcionará melhor e de forma mais segura no âmbito para o qual foi desenhado.
- Não aplique pressão excessiva no produto. Deixe que o peso do produto aplique a pressão correta e use as mãos para guiar a lixadora. Uma pressão excessiva sobrecarregará o produto e danificará o motor. Aplicar mais pressão não eliminará mais material, e reduzirá a eficácia de lixar.
- Substitua a banda de lixar com frequência para manter a capacidade do produto de eliminar material de maneira eficaz.
- Arranque o produto usando o interruptor e deixe que a banda alcance a velocidade correta. Depois, desça a banda para a peça de trabalho. Deve segurar firmemente o produto com ambas as mãos porque o movimento da banda impulsiona o produto para a frente.
- Selecione uma banda do tamanho correto e a resistência adequada para o trabalho. Use bandas com um número inferior para eliminar mais material; os números superiores servem para eliminar menos material e para acabamentos mais finos. Substitua a banda se estiver danificada, obstruída por resíduos ou desgastada.
- É normal lixar e mover o produto para frente e para trás no sentido do grão do material. Lixar através do grão funcionará mas os resultados serão uma superfície raspada e danificada.

⚠ AVISO

O pó de certas pinturas, revestimentos e materiais pode causar irritação ou reações alérgicas no sistema respiratório. O pó de madeira como o carvalho, a faia, o MDF e outros é cancerígeno. O material que contém amianto apenas deve ser trabalhado ou processado por operadores especialistas qualificados.

- Use o coletor de pó ou conecte a abertura de saída a um aspirador para reduzir os riscos associados às partículas de pó.
- Todas as pessoas na zona de trabalho e nas imediações devem usar máscara para poeiras que

ofereça a protecção adequada.

- Use sempre óculos de segurança ou óculos de protecção munidos de resguardos laterais quando utilizar ferramentas.

⚠ AVISO

As lesões podem ser causadas ou agravadas pelo uso prolongado de uma ferramenta. Ao usar qualquer ferramenta durante períodos prolongados, assegure-se que faz intervalos regulares.

CONHEÇA O SEU PRODUTO

Consulte a página 107.

1. Pega dianteira
2. Botão de bloqueio em ligado
3. Pega principal
4. Bico de aspiração
5. Orifício da bateria
6. Maçaneta de ajuste da cinta de lixagem
7. Gatilho
8. Alavanca de libertação da cinta de lixagem
9. Botão de ajuste da pega dianteira
10. Adaptador para aspirador
11. Saco para o pó
12. Lixadora mecânica de cinta (60 granalha)
13. Lixadora mecânica de cinta (100 granalha)
14. Lixadora mecânica de cinta (120 granalha)

MANUTENÇÃO

⚠ AVISO

Não conecte o produto à tomada de corrente quando estiver a realizar operações de montagem de peças, limpeza e manutenção, ou quando o produto não estiver em uso. Ao deligar o produto estará a evitar um arranque acidental que pode causar lesões graves.

⚠ AVISO

Utilize unicamente peças sobresselentes Ryobi de origem quando fizer substituições. O uso de quaisquer outras peças pode criar perigo ou causar danos ao aparelho.

⚠ AVISO

Antes de limpar o produto, desmonte sempre a cinta de lixa do produto. O não cumprimento desta instrução pode ocasionar ferimentos graves.

Evite usar solventes ao limpar as peças de plástico. A maioria dos plásticos pode ser danificada pelos solventes vendidos no comércio. Utilize um pano limpo para remover as sujidades, o pó, etc.

⚠ AVISO

Nunca, em qualquer momento, deixe que fluidos de travagem, gasolina, produtos petrolíferos, óleos de perfuração, etc., entrem em contacto com as peças de plástico. Estas substâncias contêm produtos químicos que podem danificar, enfraquecer ou destruir o plástico.

As ferramentas eléctricas utilizadas em equipamentos de fibra de vidro, placas de gesso, painéis de revestimento têm tendência a desgastarem-se mais rapidamente e a apresentar falhas prematuras, dado que as aparas e a serradura provenientes destes materiais são com efeito muito abrasivas para as peças das ferramentas eléctricas como por exemplo as engrenagens, as escovas, os interruptores, etc. Não recomendamos a utilização do aparelho durante longos períodos de tempo nestes tipos de materiais.

Depois de cada uso, retire a banda e o coletor de pó, se for o caso. Limpe o coletor de pó tal como se indica nas imagens. Limpe a fundo o produto com uma escova, um pano seco e um aspirador.

⚠ AVISO

Não use ar comprimido para eliminar o pó do produto de modo a evitar lesões oculares graves.

Para uma maior segurança e fiabilidade, todas as reparações devem ser realizadas por um centro de assistência autorizado Ryobi.

Todos os rolamentos desta ferramenta estão lubrificados com um montante suficiente de lubrificante de elevado nível, de acordo com a duração de vida da unidade em condições normais de funcionamento. Por conseguinte, não requer nenhuma lubrificação suplementar.

PROTECÇÃO DO AMBIENTE



Recicle os materiais em vez de pô-los directamente no lixo doméstico. Para proteger o ambiente, a ferramenta, os acessórios e as embalagens devem ser seleccionados.

SÍMBOLO



Alerta de Segurança

V Volts




Velocidade sem carga


min⁻¹


Número de rotações ou movimentos por minuto

 Corrente directa

 Conformidade CE


 Marca de conformidade EurAsian

 Marca de conformidade ucraniana

 Agradecemos que leia atentamente as instruções antes de iniciar a máquina.


 Use protecção para os ouvidos

 Use protecção para os olhos

 Os aparelhos eléctricos antigos não devem ser eliminados juntamente com o lixo doméstico. Recicle onde existem instalações para o efeito. Verifique com as suas Autoridades Locais ou revendedor para obter informações sobre reciclagem.

SÍMBOLOS NESTE MANUAL

 Nota

 As peças ou acessórios vendem-se separadamente

 Abrir

 Bloqueio

As seguintes palavras de sinal e significados destinam-se a explicar os níveis de risco associados a este produto.

PERIGO

Indica uma situação de perigo iminente, a qual, se não for evitada, pode resultar em morte ou ferimentos graves.

AVISO

Indica uma situação potencialmente perigosa que, se não for evitada, pode resultar em morte ou ferimentos graves.

CAUTELA

Indica uma situação potencialmente perigosa que, se não for evitada, pode resultar em ferimentos leves ou moderados.

CAUTELA

(Sem símbolo de segurança) Indica uma situação que pode provocar danos materiais.

Sikkerhed, ydelse og driftssikkerhed har fået topprioritet i designet af din båndsliber.

TILTÆNKET ANVENDELSESFORMÅL

Denne båndsliber er beregnet til slibning af metal, træ, plastic eller lignende materialer. Den kan også bruges til at fjerne maling, lak og rust fra overflader.

Der er beregnet til at blive anvendt af operatører, som har læst brugsanvisningen og forstået de involverede risici og farer. Produktet må kun benyttes i godt ventilerede områder.

Produktet er kun beregnet til tørslibning. Undlad at bruge produktet til vådslibning.

Båndsliberen er kun beregnet til privat brug. Produktet må kun bruges til de formål, der er angivet under formålsbestemt/korrekt brug.

⚠ ADVARSEL

Støv fra visse typer maling, belægninger og materialer kan forårsage irritation eller allergiske reaktioner i åndedrætssystemet. Støv fra træ som fx eg, bøg, MDF og andre er kræftfremkaldende. Materiale, som indeholder asbest, må kun bearbejdes eller håndteres af hertil kvalificerede specialoperatører.

⚠ ADVARSEL

Alle sikkerhedsadvarsler og alle anvisninger skal læses. Hvis advarslen og instruktionerne ikke følges, kan det medføre elektrisk stød og/eller alvorlig personskade.

Gem alle advarsler og vejledninger til senere brug.

GENERELLE SIKKERHEDSADVARSLER FOR ARBEJDSBORDET

⚠ ADVARSEL

Læs alle sikkerhedsadvarsler og alle instruktioner, der følger med arbejdsbordet og det elværktøj, der skal monteres. Hvis advarslen og instruktionerne ikke følges, kan det medføre elektrisk stød og/eller alvorlig personskade.

- **Gem alle advarsler og brugsanvisninger til senere brug.**
- Betegnelsen "eldrevet værktøj" i advarslerne henviser til jeres ledningsforbundne elværktøj eller batteridrevne (ledningfrie) elværktøj.
- **Fjern stikket fra strømkilden, og/eller fjern batteripakken fra elværktøjet, før du foretager justeringer eller udskifter tilbehør.** Hvis elværktøjet startes ved en fejl, kan det forårsage visse ulykker.
- **Arbejdsbordet skal monteres korrekt, før værktøjet monteres.** Korrekt montering er vigtigt for at forhindre

risiko for sammenstyrning.

- **Fastgør elværktøjet sikkert til arbejdsbordet før brug.** Udskiftning af elværktøj på arbejdsbordet kan forårsage tab af kontrol.
- **Placer arbejdsbordet på en stabil, flad og plan overflade.** Hvis arbejdsbordet kan vippe eller kan flytte sig, kan elværktøjet eller arbejdsområdet ikke kontrolleres roligt og sikkert.
- **Overbelast ikke arbejdsbordet, og undlad at bruge det som stige eller stillads.** Hvis arbejdsbordet overbelastes, eller hvis man står på det, kan det forårsage, at bordet bliver "vaklende" og sandsynligvis vil vælte.

SIKKERHEDSADVARSLER VEDR. BÅNDSLIBERE

- **Benyt altid sikkerhedsbriller og støvmaske.**
- **Der skal benyttes et egnet åndedrætsværn ved slibning af blyholdig maling, visse trætyper og metal for at undgå indånding af skadeligt/giftigt støv eller luft.**
- **Produktet er ikke egnet til vådslibning.**
- **Undgå at bruge større slibebånd end nødvendigt.**

YDERLIGERE SIKKERHEDSADVARSLER OM BATTERI

⚠ ADVARSEL

For at undgå risiko for brand, kvæstelser eller beskadigelse af produktet forårsaget af kortslutning må værktøjet, batteripakken eller opladeren ikke nedsænkes i vand. Sørg ligeledes for, at der ikke trænger væske ind i enhederne og batterierne. Korroderende eller ledende væsker, f.eks. saltvand, bestemte kemikalier, blegestoffer eller produkter, som indeholder blegestoffer, kan forårsage kortslutning.

TRANSPORT AF LITHIUM-BATTERIER

Batteriet skal transporteres i henhold til lokale og nationale forskrifter og love.

Når batterier skal transporteres af tredjepart, skal alle specielle krav til emballering og mærkning efterleves. Man skal sikre sig, at ingen batterier kan komme i kontakt med andre batterier eller ledende materialer under transporten ved at beskytte blottede konnektorer med isolerende, ikke-ledende hætter eller tape. Undlad at transportere batterier med revner eller utætheder. Rådfør dig desuden hos speditionen.

UUNDGÅELIGE RISICI

Selv om produktet anvendes som foreskrevet, er det stadig umuligt at eliminere visse uundgåelige risikofaktorer fuldstændigt. Følgende risici kan opstå under brug, og operatøren bør være særligt opmærksom for at undgå følgende:



- Fasthængning i eller kontakt med det kørende bånd
Desuden skal der udvises forsigtighed, især i omvendt drift, for at forhindre operatørens fingre og hænder i at komme i kontakt med slibebåndet eller blive indfanget i valserne.
- Kontakt med eller indånding af støv
Når man benytter produktet, udvikles der betydelige støvmængder og fine partikler. Brug støvopsamlingsenheden, eller tilslut en støvudsugninganordning, når produktet benyttes. Benyt åndedrætsværn med filtre, der svarer til det materiale, der arbejdes med. Sørg for tilstrækkelig ventilation på arbejdspladsen. Undlad at spise, drikke eller ryge i arbejdsområdet.
- Eksplosionsfare
Ophobet fint støv kan antændes og forårsage brand. Hold arbejdsområdet rent og frit for støv. Støvopsamlings- og luftudsugningssystemer skal rengøres grundigt med jævne mellemrum. Ved slibning af metal kan der dannes varme gløder.
- støj og vibration
Benyt altid høreværn under arbejdet med produktet. Undlad at benytte produktet i længere perioder ad gangen.

RISIKOREDUKTION

Der er rapporteret om, at vibrationer fra håndholdte værktøjer kan være medvirkende til en lidelse kaldet Raynauds syndrom hos visse personer. Symptomerne herpå kan være prikken, følelsesløshed og blegning af fingrene, der normalt viser sig ved kuldepåvirkning. Faktorer som arvelighed, udsættelse for kulde og fugt, kost, rygning og arbejdsvaner menes alle at medvirke til udviklingen af disse symptomer. Der findes forholdsregler, som operatøren kan træffe for at begrænse påvirkningen fra vibrationer:

- Hold kroppen varm i koldt vejr. Brug handsker, så hænder og vrister holdes varme under arbejdet. Der er rapporteret om, at koldt vejr er en væsentlig faktor til Raynauds syndrom.
- Motionér efter hver arbejdsperiode for at øge blodcirkulationen.
- Hold hyppige arbejdspauser. Begræns eksponeringen for vibrationer pr. dag.

Hvis du mærker nogen af symptomerne på denne tilstand, skal du straks ophøre med arbejdet og søge læge.

BETJENING

- Undlad at benytte produktet, hvis slibebåndet ikke er ordentligt sporet og monteret. Et forkert sporet slibebånd kan komme falde af produktet og medføre personskade eller beskadigelse af slibemaskinen.
- Emnet skal fastgøres til en passende arbejdsbænk med en skruestik. Dette bidrager til at forhindre emnet i at blive slynget bort.

- Brug de medfølgende håndtag til at holde og styre produktet med begge hænder.
- Overbelast ikke produktet. Brug det korrekte produkt til anvendelsesformålet. Det korrekte produkt klarer opgaven bedre og sikrere i den hastighed, det er designet til.
- Undlad at udsætte produktet for kraftigt pres. Lad produktets vægt udøve det korrekte tryk, og brug hænderne til at styre slibemaskinen. For kraftigt tryk vil overbelaste produktet og ødelægge motoren. Udøvelse af kraftigere tryk vil ikke fjerne mere materiale, men vil i stedet reducere slibe-effektiviteten.
- Skift slibebånd ofte for at bevare produktets evne til effektivt at fjerne materiale.
- Start produktet med udløserkontakten, og vent, til slibebåndet har den rigtige hastighed. Sænk derefter slibebåndet ned på emnet. Hold produktet sikkert med begge hænder, da slibebåndets bevægelse vil drive produktet fremad.
- Vælg et slibebånd i korrekt størrelse og med passende ruhed i forhold til arbejdsopgaven. Brug slibebånd med et lavere korntal til fjernelse af mere materiale; brug et højere korntal til fjernelse af mindre materiale og for en finere finish. Udskift slibebåndet, hvis det bliver beskadiget, tilstoppet med snavs eller er slidt.
- Man sliber og bevæger normalt produktet frem og tilbage langs materialets årer. Slibning på tværs af årerne er mulig, men giver en ridset og beskadiget overflade.

▲ ADVARSEL

Støv fra visse typer maling, belægninger og materialer kan forårsage irritation eller allergiske reaktioner i åndedrætssystemet. Støv fra træ som fx eg, bøg, MDF og andre er kræftfremkaldende. Materiale, som indeholder asbest, må kun bearbejdes eller håndteres af hertil kvalificerede specialoperatører.

- Brug støvopsamleren, eller tilslut støvåbningen til en udsugningsanordning for at reducere de risici, der er forbundet med støvpartikler.
- Alle personer inden for arbejdsområdet eller i nærheden bør bruge støvmaske med tilstrækkelig beskyttelse.
- Brug altid sikkerhedsbriller eller beskyttelsesbriller med sideafskærmning, når der arbejdes med redskaber og værktøj.

▲ ADVARSEL

Længere tids brug af et værktøj kan forårsage - eller forværre - personskader. Når man bruger et værktøj i længere perioder ad gangen, skal man huske at holde hyppige pauser.

KEND PRODUKTET

Se side 107



1. Forreste håndtag
2. Låseknop
3. Hovedhåndtag
4. Sugedyse
5. Batteriåbning
6. Justeringsknop til slibebånd
7. Udløser
8. Udløserarm til slibebånd
9. Justeringsknop til forreste håndtag
10. Vakuuadaptor
11. Støvpose
12. Slibebånd (60 korn)
13. Slibebånd (100 korn)
14. Slibebånd (120 korn)

VEDLIGEHOLDELSE

⚠ ADVARSEL

Produktet må aldrig sluttes til en strømforsyning, mens man er i færd med at samle dele, rengøre, udføre vedligeholdelsesarbejde, eller når produktet ikke anvendes. Ved at afbryde forbindelsen til strømforsyningen forhindrer man utilsigtet start af produktet, hvilket kan medføre alvorlige personskader.

⚠ ADVARSEL

I forbindelse med servicearbejde må der kun bruges identiske Ryobi-dele. Brug af alternative dele kan forårsage farlige situationer eller ødelægge produktet.

⚠ ADVARSEL

Fjern altid slibebåndet fra produktet inden rengøring. Hvis denne regel ikke overholdes, kan man komme alvorligt til skade.

Undgå brug af opløsningsmidler til rengøring af plastdele. De fleste plasttyper bliver ødelagt, hvis de renses med almindelige gængse opløsningsmidler. Fjern snavs, støv m.v. med en ren klud.

⚠ ADVARSEL

Sørg for, at bremsevæske, benzin, petroleumsbaserede produkter, penetreringsolie, mv., aldrig kommer i kontakt med plastdele. Disse kemiske produkter indeholder stoffer, som kan beskadige, mørne eller ødelægge plastmaterialet.

Elektriske værktøjer, som bruges på glasfiber, gipsplader og beklædningsplader har tendens til at blive slidt hurtigere og evt. få flere driftsproblemer. Spåner og savsmuld fra disse materialer har nemlig en kraftig slibevirkning på det elektriske værktøjs dele, fx lejer, kulbørster, omskiftere osv. Vi anbefaler, at man ikke bruger produktet i længere tid med disse typer materialer.

Efter brug skal man fjerne slibebåndet og evt. støvopsamleren. Støvopsamleren rengøres som vist i

illustrationerne i denne brugsanvisning. Produktet skal rengøres grundigt med en børste, tør klud og støvsuger.

⚠ ADVARSEL

Undlad at bruge trykluft til at blæse støv bort fra produktet, da dette kan give alvorlige øjenskader.

Af hensyn til større sikkerhed og pålidelighed skal alt reparationsarbejde udføres på et autoriseret Ryobi-servicecenter.

Alle lejerne i dette værktøj er smurt for produktets levetid under normale driftsbetingelser med en tilstrækkelig mængde højkvalitetssmøremiddel. Det er derfor ikke nødvendigt med yderligere smøring.

MILJØBESKYTTELSE



Råmaterialerne skal genbruges og ikke bortskaffes som almindeligt affald. Af hensyn til miljøet skal redskab, tilbehør og emballage sorteres.

SYMBOL



Sikkerheds Varsel

V Volt

n_0

Tomgangshastighed

min⁻¹ Antal omdrejninger eller bevægelser pr. Minut



Direkte strøm



CE Overensstemmelse



EurAsian overensstemmelsesmærke



Ukrainsk overensstemmelsesmærke



Læs venligst vejledningen grundigt igennem før maskinen tages i brug.



Benyt hørevern



Benyt øjenværn



Elektriske affaldsprodukter bør ikke afskaffes sammen med husholdningsaffald. Genbrug venligst hvor faciliteterne tillader dette. Tjek med din lokale kommune eller forhandler for genbrugsråd.

SYMBOLER I BRUGSANVISNINGEN



Bemærk



Dele eller tilbehør, der sælges separat



Oplås



Lås

De følgende ikoner og betydninger er beregnet til at forklare risikoen involveret i at anvende denne enhed.

FARE

Indikerer en umiddelbart farlig situation, som - hvis den ikke afværges - vil medføre dødsfald eller alvorlig personskade.

ADVARSEL

Indikerer en potentielt farlig situation, som - hvis den ikke afværges - kan medføre dødsfald eller alvorlig personskade.

VÆR OPMÆRKSOM

Indikerer en potentielt farlig situation, som - hvis den ikke afværges - kan medføre mindre eller middelsvær personskade.

VÆR OPMÆRKSOM

(Uden sikkerhedssymbol) indikerer en situation som kan føre til skade af personlig ejendom.

Säkerhet, prestanda och pålitlighet har varit högsta prioritet vid design av din slipmaskin.

ANVÄNDNINGSSOMRÅDE

Bältsliparen är avsedd för slipning av metall, trä, plats och liknande material. Den kan även ta bort målarfärg, lack och rost från ytor.

Den är avsedd att användas av personer som har läst bruksanvisningen och är införstådda med riskerna. Produkten bör endast användas i väl ventilerade utrymmen. Produkten är avsedd enbart för torrslipning. Använd inte produkten för våtslipning.

Bältsliparen är enbart för privatbruk. Använd inte produkten på något annat sätt än vad som är avsett.

VARNING

Damm från viss typ av färg, ytor och material kan skapa irritation eller allergiska reaktioner i andningssystemet. Damm från trä som ek, bok, MDF och annat är cancerframkallande. Material som innehåller asbest får enbart bearbetas av specialutbildade användare.

VARNING

Läs alla säkerhetsvarningar och anvisningar. Att inte följa en och instruktionerna kan resultera i elstöt, brand och/eller allvarlig skada.

Behåll alla varningar och anvisningar för framtida referens.

ALLMÄNNA SÄKERHETSFORESKRIFTER FÖR HÖGA ARBETSBORD

VARNING

Läs igenom alla säkerhetsföreskrifter och varningar samt alla instruktioner som medföljer det höga arbetsbordet och verktyget som ska monteras. Att inte följa en och instruktionerna kan resultera i elstöt, brand och/eller allvarlig skada.

- Behåll dessa varningar och anvisningar för framtida referens.
- Termen "elektriskt verktyg" i varningarna avser ditt nätdrivna elverktyg (med sladd) eller ditt batteridrivna elverktyg (sladdlöst).
- Ta ut kontakten ur eluttaget och/eller batteriet från elverktyget innan du gör några justeringar eller byter tillbehör. Start av elverktyget av misstag kan orsaka olyckor.
- Montera det höga arbetsbordet fullständigt innan verktyget monteras. Det är viktigt med korrekt montering för att undvika risken att bordet rasar.
- Fäst och säkra verktyget vid arbetsbordet före användning. Om elverktyget är instabilt kanske det

inte kan kontrolleras.

- Placera arbetsbordet på solitt, plant och jämnt underlag. Om arbetsbordet kan flytta sig eller gunga blir inte verktyget stabilt och kan inte kontrolleras säkert.
- Överbelasta inte arbetsbordet, använd det inte heller som stege eller ställning. Att överbelasta eller stå på arbetsbordet gör det "topptungt" och ökar risken för att det ska välta.

VIKTIGA SÄKERHETSVARNINGAR FÖR SLIP

- Bär alltid skyddsglasögon och dammask.
- Du bör använda en lämplig skyddsmask mot damm då du slipar ytor som är täckta med blybaserad färg eller vissa träslag och metaller, för att inte andas in damm eller giftiga ångor.
- Produkten är inte avsedd för våtslipning.
- Använd aldrig större slipband än vad som behövs.

YTTERLIGARE SÄKERHETSVARNINGAR FÖR BATTERIER

VARNING

För att undvika den fara för brand, personskador eller produktskador som orsakas av en kortslutning, doppa inte ner verktyget, utbytesbatteriet eller laddaren i vätskor och se till att ingen vätska kan tränga in i apparaterna eller batterierna. Korroderande eller ledande vätskor, som saltvatten, vissa kemikalier, blekningsmedel eller produkter som innehåller blekmedel, kan orsaka en kortslutning.

TRANSPORTERA LITIUMBATTERIER.

Transportera batteriet enligt lokala och nationella lagar och regleringar.

Följ alla specifika krav på förpackning och etiketter när batteri transporteras av tredje part. Se till att batteriet inte kommer i kontakt med andra batterier eller ledande material genom att skydda exponerade kontakter med isolerande, icke ledande skydd eller tejp. Transportera inte batterier som är spruckna eller läcker. Kontrollera med vidarebefordrande företag för mer information.

RESIDUALRISK

Även om produkten används enligt instruktionerna går det inte att eliminera alla eventuella riskfaktorer. Följande risker kan uppstå vid användning och operatören ska vara extra uppmärksam för att undvika följande:

- Intrassling eller kontakt med bältet
Extra uppmärksamhet måste iaktas, speciellt i inverterat läge, för att inte fingrar eller händer ska komma i kontakt med slipbältet eller klämmar av rullarna.
- Kontakt med eller inandning av damm

EN
FR
DE
ES
NL
PT
DA
SV
FI
RU
NO
PL
CS
HU
RO
LV
LT
ET
HR
SL
SK
BG
UK
TR
EL



När produkten används uppstår stora mängder damm och småpartiklar. Använd dammuppsamlare eller anslut produkter till extern dammsugare. Använd andningsskydd med filter som är lämpliga för de material som du arbetar med. Se till att arbetsplatsen är tillräckligt ventilerad. Åt, drick eller rök inte på arbetsområdet.

- Explosionsrisk

Ansamlat fint damm kan antändas och orsaka eldsvåda. Se till att arbetsplatsen är ren och dammfri. Dammsamlings- och uppsugningssystem ska regelbundet rengöras nogga. Vid slipning av metall kan gnistbildning uppkomma.

- buller och vibration

Bär alltid hörselskydd när produkten används. Använd inte produkten under längre tidsperioder.

RISKMINSKNING

Det finns rapporter om att vibrationer från handhållna produkter kan bidra till ett tillstånd som kallas Raynauds syndrom för vissa personer. Symptomen brukar vara att det sticker i fingrarna och att de domnar bort; fingrarna kan också bli vita, särskilt vid kyla. Årftliga faktorer, kyla och fukt, diet, rökning och arbetsrutiner tros alla bidra till att orsaka dessa symptom. Det finns förebyggande åtgärder som du kan vidta för att försöka minska vibrationernas påverkan:

- Håll dig varm när du arbetar i kallt väder. Använd handskar för att hålla kvar värmen i händer och handleder. Kyla har rapporterats som en viktig del i utvecklandet av Raynauds syndrom.
- Träna och rör på dig efter varje användningstillfälle för att öka blodcirkulationen.
- Ta ofta pauser från arbetet. Begränsa tiden du utsätter dig varje dag.

Upphör omedelbart om du upplever några av dessa symptom och uppsök din läkare.

ANVÄNDNING

- Använd inte produkten utan korrekt inpassat bälte. Felaktigt inpassat bälte kan lossna och orsaka personskador eller skada på maskinen.
- Säkra arbetsstycket med klämma på lämplig arbetsbänk. Det förhindrar att arbetsstycket kan kastas iväg.
- Använd handtagen för att hålla och styra produkten med båda händerna.
- Tvinga inte produkten. Använd rätt produkt för applikationen. Rätt produkt gör arbetet enklare och säkrare i den takt som den är avsedd för.
- Tryck inte för hårt med produkten. Låt produktens vikt ge rätt tryck och använd händerna enbart för att styra slipen. För stort tryck överbelastar produkten och skadar motorn. Använda stort tryck slipar inte bort mer material och minskar slipeffekten.

- Byt slibbälte ofta för att upprätthålla produkten förmåga att arbeta effektivt.
- Starta produkten med strömbrytaren och låt bältet komma upp i rätt hastighet. Sänk sedan ned bältet på arbetsstycket. Håll produkten säkert i båda händerna eftersom bältets rörelse drar produkten framåt.
- Välj bälte i rätt storlek och grovlek för uppgiften. Använd bälten med lägre nummer för att ta bort mer material och högre nummer för att ta bort mindre material och slätare yta. Byt ut bältet om det skadas, blir smutsigt eller är slitet.
- Det är normalt att slipa och föra produkten fram och tillbaka längs med ådringen i materialet. Att slipa tvärs ådringen fungerar men resultatet blir en repig och skadad yta.

⚠ VARNING

Damm från viss typ av färg, ytor och material kan skapa irritation eller allergiska reaktioner i andningssystemet. Damm från trä som ek, bok, MDF och annat är cancerframkallande. Material som innehåller asbest får enbart bearbetas av specialutbildade användare.

- Använd dammsamlare eller anslut dammöppningen till suganordning för att minska risker med dammpartiklar.
- Alla personer inom arbetsområdet eller i närheten måste använda dammskyddsmasker som ger lämpligt skydd.
- Använd alltid säkerhetsglasögon eller skyddsglasögon försedda med sidoskydd vid arbete med verktyg.

⚠ VARNING

Risk för person- eller slitageskador vid användning av verktyget under lång tid. Om verktyget används under längre perioder krävs regelbundna pauser.

LÄR KÄNNA DIN PRODUKT

Se sidan 107.

1. Främre handtag
2. Låsknapp
3. Huvudhandtag
4. Sugmunstycke
5. Batteriport
6. Justeringsknapp för sliprem
7. Avtryckare
8. Spak för lossning av sliprem
9. Justeringsknapp för främre handtag
10. Vakuumadapter
11. Damppåse
12. Sandpapperbälte (60 finhet)
13. Sandpapperbälte (120 finhet)
14. Sandpapperbälte (100 finhet)



UNDERHÅLL

⚠ VARNING
 Produkten får aldrig anslutas till strömkälla under montering, rengöring, underhåll eller när produkten inte används. Frånkoppling av produkten förhindrar uppstart av misstag vilket kan orsaka allvarliga skador.

⚠ VARNING
 Vid service ska endast originaldelar från Ryobi användas. Användning av andra delar kan orsaka fara eller produktskada.

⚠ VARNING
 Ta alltid bort slipremmen från produkten före rengöring. Underlåtenhet att följa denna föreskrift kan förorsaka allvarliga kroppsskador.

Undvik att använda lösningsmedel vid rengöring av plastdelar. Flertalet plaster kan skadas vid användning av vissa lösningsmedel som säljs i affärerna. Använd en ren tygrasa för att torka bort smuts, damm, osv.

⚠ VARNING
 Låt aldrig bromsvätska, bensin, petroleumbaserade produkter, penetrerande oljor och liknande komma i kontakt med plastdelar. Dessa ämnen innehåller kemiska produkter som kan skada, försvaga eller förstöra plasten.

Elektriska verktyg som används på glasfiber, gipsplattor eller beklädnadspaneler tenderar att slitas snabbare och få funktionsavbrott i förtid på grund av att spån och sågspån som härstammar från dessa material angriper kuggghjul, elborstar, strömbrytare, osv. Vi rekommenderar inte att produkten används under längre tidsperioder på dessa typer av material.


Efter varje användning ska bälte och dammsamlare tas bort. Rengör dammsamlaren enligt bilden i manualen. Rengör produkten noga med borste, torr trasa och dammsugare.

⚠ VARNING
 Använd inte tryckluft för att blåsa bort damm från produkten för att undvika ögonskador.


För säkerhet och pålitlighet ska alla reparationer utföras av auktoriserat Ryobi reparationscenter.

Alla lager i det här verktyget är smörjda med tillräckligt mycket högkvalitativt smörjmedel för att räcka under maskinens hela livslängd, vid en normal användning. Därför behövs ingen ytterligare smörjning.

MILJÖSKYDD

 Råmaterialen ska återvinnas i stället för att kastas i hushållsavfallet. För att skona miljön ska verktyget, tillbehören och emballagen sorteras.

SYMBOL


 Säkerhetsvarning

V Volt

n_o Ingen belastningshastighet


min⁻¹ Antal varv eller rörelser per minut


 Likström


 CE-konformitet


 EurAsian överensstämmelsesymbol

 Ukrainskt märke för överensstämmelse

 Läs instruktionerna ordentligt innan start av maskinen.


 Bär hörselskydd.

 Använd skyddsglasögon

 Gamla elektroniska produkter ska inte kastas med hushållssoporna. Återvinn där sådana faciliteter finns. Kontrollera med din lokala myndighet eller säljaren för att få återvinningstips.

SYMBOLER I MANUALEN

 Notera

 Delar och utrustning säljs separat



Lås upp



Lås

Följande signalord och betydelser är tänkta att förklara de olika risknivåerna som är associerade med denna produkt.

 **FARA**

Visar på en direkt riskfylld situation som, om den inte undviks, kan orsaka dödsfall eller allvarlig personskada.

 **VARNING**

Visar på en potentiellt riskfylld situation som, om den inte undviks, kan orsaka dödsfall eller allvarlig personskada.

 **FÖRSIKTIGHET**

Visar på en potentiellt riskfylld situation som, om den inte undviks, kan orsaka mindre eller måttlig personskada.

FÖRSIKTIGHET

(Utan säkerhetssymbolen) Indikerar en situation som kan leda till egendomsskada.

Nauhahiomakoneesi suunnittelussa on pidetty etusijalla turvallisuutta, suorituskykyä ja luotettavuutta.

KÄYTTÖTARKOITUS

Tämä nauhahiomakone on tarkoitettu metallin, puun, muovin ja vastaavien materiaalien hiontaan. Sillä voidaan myös poistaa maalia, lakkaa ja ruostetta pinnoilta.

Se on tarkoitettu sellaisten käyttäjien käytettäväksi, jotka ovat lukeneet käyttöoppaan ja ymmärtävät riskit ja vaarat. Tuotetta saa käyttää vain hyvin tuuletuilla alueilla.

Tuote on suunniteltu vain kuivahiontaan. Älä käytä tuotetta märkähiontaan.

Nauhahiomakone on tarkoitettu vain kuluttajakäyttöön. Älä käytä tätä tuotetta millään muulla tavalla kuin mihin se on tarkoitettu.

VAROITUS

Erilaisista maaleista, pinnoitteista ja materiaaleista syntyvä pöly saattaa aiheuttaa ärsytystä tai allergisia reaktioita hengitysteissä. Esim. tammen, pyökin ja MDF:n puupöly on karsinogeenistä. Vain asiaan erikoistuneet työntekijät saavat käsitellä tai työstää asbestia sisältäviä materiaaleja.

VAROITUS

Lue kaikki turvallisuusvaroitukset ja ohjeet. ten ja ohjeiden laiminlyönnistä voi seurata sähköisku, tulipalo ja/tai vakava loukkaantuminen.

Säästä kaikki varoitukset ja ohjeet tulevaa käyttöä varten.

YLEISET TYÖALUSTAA KOSKEVAT TURVALLISUUSVAROITUKSET

VAROITUS

Lue tarkkaan työalustan ja asennettavien sähkötyökalujen mukana tulleet turvallisuusvaroitukset ja ohjeet. ten ja ohjeiden laiminlyönnistä voi seurata sähköisku, tulipalo ja/tai vakava loukkaantuminen.

- **Säästä kaikki varoitukset ja ohjeet tulevaa käyttöä varten.**
- Varoituksissa oleva termi "sähkötyökalu" viittaa verkkokäyttöiseen (johdollisiin) sähkötyökaluun tai akkukäyttöiseen (johdottomaan) sähkötyökaluun.
- **Irrota kosketin virtalähteestä ja/tai akkupaketti sähkötyökalusta aina ennen säätämistä tai lisävarusteiden vaihtamista.** Sähkötyökalun tahaton käynnistyminen aiheuttaa onnettomuuksia.
- **Kokoa työasema huolellisesti ennen työkalun asentamista.** Huolellinen kokoonpano on tärkeää kaatumisen estämiseksi.

- **Kiinnitä sähkötyökalu työalustaan turvallisesti ennen käytön aloittamista.** Sähkötyökalun siirtyminen työalustalla voi aiheuttaa laitteen hallinnan menetyksen.
- **Sijoita työalusta tukevalle, tasaiselle ja vakaalle pinnalle.** Jos työalusta pääsee siirtymään tai hypähtämään paikaltaan, sähkötyökalu tai työstettävä kappale ei ole silloin vakaasti ja turvallisesti hallinnassa.
- **Älä kuormita työalustaa liikaa, älä myöskään käytä sitä tikkaina tai telineenä.** Työalustan liikkamuutus tai sen päällä seisominen tekee alustan yläpäästään liian painavaksi, jolloin se helposti keikahtaa kumoon

HIOMAKONEEN TURVALLISUUSVAROITUKSET

- **Käytä aina suojalaseja ja pölynaamaria.**
- **Työhön sopivaa hengityssuojainta on käytettävä, kun hiotaan lyijymaalia, jotain puupintoja ja metalleja, jotta vältytään haitallisen/myrkyllisen pölyn tai ilman hengittämistä.**
- **Älä käytä tuotetta märkähiontaan.**
- **Älä käytä tarpeellista suurempaa hiomanauhaa.**

LISÄÄ AKUN TURVALLISUUSVAROITUKSIA

VAROITUS

Jotta vältetään lyhytsulun aiheuttama tulipalon, loukkaantumisen tai tuotteen vahingoittumisen vaara, älä koskaan upota työkalua, vaihtoakkuja tai latauslaitetta nesteeseen ja huolehdi siitä, ettei mitään nesteitä pääse tunkeutumaan laitteiden tai akkujen sisään. Syövyttävät tai sähköä johtavat nesteet, kuten suolavesi, tietyt kemikaalit ja lalkaisuaineet tai valkaisuaineita sisältävät tuotteet voivat aiheuttaa lyhytsulun.

LITIUMAKKujen KULJETTAMINEN

Kuljeta akkuja paikallisten ja kansallisten ehtojen ja säädösten mukaisesti.

Noudata kaikkia pakkaamista ja nimeämistä koskevia erikoissääntöjä, kun kolmas osapuoli kuljettaa akkuja. Varmista, että mikään akku ei kosketa muita akkuja tai johtavaa materiaalia kuljetuksen aikana suojaamalla paljaat navat eristävillä, johtamattomilla korkeilla tai teipillä. Älä kuljeta akkuja, jotka ovat halkeilleet tai vuotavat. Kysy välitysyriykseltä lisäneuvoja.

KÄYTÖN RISKIT

Vaikka tuotetta käytettäisiin ohjeiden mukaisesti, ei ole mahdollista täysin eliminoida tiettyjä käyttöön liittyviä riskitekijöitä. Käytössä voi aiheutua seuraavia vaaroja, ja käyttäjän tulee kiinnittää erityistä huomiota niiden välttämiseen:

- Takertuminen tai kosketus liikkuvaan nauhaan
Lisävaroituksia on noudatettava erityisesti ylösalaisessa käytössä, jotta käyttäjän sormet tai kädet eivät kosketa



hiomanauhaa tai takerru rulliin.

- Pölykontakti tai pölyn hengittäminen
Tuotetta käytettäessä syntyy huomattava määrä pölyä ja hienoja hiukkasia. Käytä pölynkeruulaitetta tai kytke pölynpoistomuri, kun käytät tuotetta. Käytä suodattimella varustettua hengityssuojainta, joka sopii käsiteltävälle materiaalille Huolehdi työpaikalla riittävästä tuuletuksesta. Älä syö, juo tai tupakoi työalueella.
- Räjähdyksenvaarata
Kerääntynyt hieno pöly voi syttyä ja aiheuttaa tulipalon. Pidä työalue puhtaana ja pölyttömänä. Pölynkeräys- ja imujärjestelmä tulee puhdistaa huolella säännöllisesti. Metallia hiottaessa saattaa syntyä kipinöitä.
- melu ja värinä
Käytä aina kuulosuojaimia käyttäessäsi tuotetta. Älä käytä tuotetta pitkiä aikoja.

RISKIEN VÄHENTÄMINEN

Raporttien mukaan käsityökalujen värinä voi joidenkin kohdalla myötävaikuttaa Raynaudin oireen ilmenemiseen. Oireita ovat pistely, turvuus ja sormien kalpeneminen, yleensä kylmässä ilmassa. Perinnölliset tekijät, kylmyys ja kosteus, ruokavalio, tupakointi sekä työtavat voivat kaikki myötävaikuttaa näiden oireiden ilmenemiseen. Käyttäjä voi ehkäistä värinän aiheuttamia vaikutuksia seuraavasti:

- Pidä itsesi lämpimänä kylmällä säällä. Käytä laitteen käytön aikana käsineitä, jotta kätesi ja ranteesi pysyvät lämpöisinä. Raporttien mukaan kylmä ilma on tärkeä tekijä Raynaud's Syndromen (Raunaudin oireiden) ilmenemisessä.
- Harjoita kunkin käyttöjakson jälkeen liikuntaa, jotta verenkierto lisääntyi.
- Pidä työn aikana säännöllisesti taukoja. Rajoita päivittäisen värinän määrää.

Jos mitään yllä mainittuja oireita ilmenee, lopeta heti laitteen käyttö ja kerro oireista lääkärille.

KÄYTTÖ

- Älä käytä tuotetta ilman asianmukaisesti ohjautuvaa ja istuvaa nauhaa. Virheellisesti ohjautuva nauha voi irrota tuotteesta ja aiheuttaa loukkaantumisen tai vioittaa hiomakonetta.
- Kiinnitä työkalupale ruuvipenkillä tai puristimella sopivaan työpenkkiin. Tämä estää työkalupalteen sinkoutumasta.
- Pitele ja hallitse tuotetta pitelemällä sitä kahvoista molemmin käsin.
- Älä työnnä laitetta väkisin. Käytä sovellukseesi sopiva a tuotetta. Asianmukainen tuote hoitaa työt paremmin ja turvallisemmin sillä vauhdilla, jota varten se on suunniteltu.
- Älä paina tuotetta liikaa. Anna tuotteen painon kohdistaa asianmukainen paine ja ohjaa hiomakonetta käsin. Liiallinen paine ylikuormittaa tuotetta ja vioittaa

moottoria. Suurempi paine ei poista materiaalia tehokkaammin vaan sen sijaan heikentää hiomatehoa.

- Vaihda hiomanauha usein, jotta tuotteen kyky poistaa materiaalia tehokkaasti säilyy.
- Käynnistä tuote liipaisimella ja anna nauhan saavuttaa oikea nopeus. Laske sitten nauha työkappaleen pinnalle. Pitele tuotetta tukevasti molemmin käsin, koska nauhan liike vetää tuotetta eteenpäin.
- Valitse työille oikean kokoinen ja karkeuksinen nauha. Käytä pienemmällä karkeusarvolla merkittyjä nauhoja poistamaan materiaalia tehokkaammin ja suuremmalla karkeusarvolla merkittyjä nauhoja poistamaan materiaalia vähemmän ja tuottamaan tasaisempi pinta. Vaihda hihna, jos se vioittuu, tukkeutuu roskien takia tai kuluu.
- Tuotetta voidaan hiottaessa liikutella edestakaisin materiaalin syiden suuntaisesti. Syiden poikki hionta toimii, mutta tällöin pinnasta tulee naarmuinen ja vioittunut.

VAROITUS

Erilaisista maaleista, pinnoitteista ja materiaaleista syntyvä pöly saattaa aiheuttaa ärsytystä tai allergisia reaktioita hengitysteissä. Esim. tammen, pyökkin ja MDF:n puupöly on karsinogeenistä. Vain asiaan erikoistuneet työntekijät saavat käsitellä tai työstää asbestia sisältäviä materiaaleja.

- Käytä pölynkerääjää tai kytke pölyaukko pölynmuriin pienentääksesi pölyhiukkasiin liittyviä riskejä.
- Kaikkien työskentelyalueella tai sen lähistöllä olevien henkilöiden tulee käyttää riittävän suojan tarjoavaa hengityssuojainta.
- Käytä aina tavanomaisia tai sivusuojilla varustettuja suojalaseja, kun käytät työkaluja.

VAROITUS

Laitteen pitkittynyt käyttö voi aiheuttaa tai vaikeuttaa vammoja. Kun käytät mitä tahansa laitetta pitkiä aikoja, muista pitää säännöllisiä taukoja.

TUNNE TUOTTEESI

Katso sivu 107.

1. Etukahva
2. Lukituspainike
3. Pääkahva
4. Imusuutin
5. Akkutila
6. Hiomahihnan säätönuppi
7. Liipaisin
8. Hiomahihnan hellitysvipu
9. Etukahvan säätöpainike
10. Imurin sovitin
11. Pölypussi
12. Hiomakoneen hihna (karkeus 60)
13. Hiomakoneen hihna (karkeus 100)



14. Hiomakoneen hihna (karkeus 120)

HUOLTO

VAROITUS

Tuotetta ei tule koskaan kytkeä pistorasiaan osia koottaessa, puhdistettaessa, huollon aikana tai kun tuotetta ei aiota käyttää. Tuotteen irrottaminen pistorasiasta estää sitä käynnistymättä vahingossa, jolloin vältytään mahdollisilta vakavilta vammoilta.

VAROITUS

Käytä vaihdossa yksinomaan alkuperäisiä Ryobi varaosia. Muunlaisten osien käyttö voi aiheuttaa vaaran tai vioittaa laitetta.

VAROITUS

Irrota hiomanauha laitteesta aina ennen puhdistusta. Tämän ohjeen laiminlyönti voi aiheuttaa vakavia ruumiinvammoja.

Älä puhdistu muoviosia liuottimilla. Suurin osa muoveista ei siedä markkinoilla olevia määrättyjä liuotteita, jotka vahingoittavat niitä. Käytä puhdasta riepua lian, pölyn jne. puhdistukseen.

VAROITUS

Älä koskaan päästä jarrunesteitä, bensiiniä, öljytuotteita, läpäiseviä öljyjä tms. kosketuksiin muoviosien kanssa. Nämä kemialliset aineet voivat vaurioittaa, heikentää tai tuhota muovin.

Lasikuidun, kipsin, pinnotteiden ja laastin käsittelyyn käytetyillä sähkötyökaluilla on taipumus kulua nopeammin, ja ne saattavat rikkoutua nopeammin sen takia, että lasikuitulastut ja hiomapöly kuluttavat laakereita, harjoja, kollektoreja jne. nopeasti. Emme suosittele, että tuotetta käytetään pitkiä aikoja tämän tyyppisten materiaalien kanssa.

Poista aina käytön jälkeen hihna ja pölynkerääjä, jos sitä käytetään. Puhdista pölynkerääjä tämän oppaan kuvien mukaisesti. Puhdista tuote huolella harjalla, kuivalla liinalla ja pölynimurilla.

VAROITUS

Älä puhalla pölyä tuotteesta paineilmalla, jotta välttyä vakavilta silmävammoilta.

Jotta laite toimisi turvallisesti ja luotettavasti, kaikki korjaukset tulee antaa valtuutetun Ryobi-huoltopisteen hoidettavaksi.

Kaikki laitteen laakerit on voideltu laitteen eliniäksi normaaliolosuhteissa riittävällä määrällä korkealaatuista voiteluainetta. Tästä syystä työkalu ei kaipaa lisävoitelua.

YMPÄRISTÖNSUOJELU



Älä hävitä raaka-aineita jätteinä vaan vie ne kierrätykseen. Ympäristönsuojelun kannalta työkalu, lisäva r usteet ja pakkausmateriaali on lajiteltava.

SYMBOLI



Turvavaroitus



Voltti



Kuormaton nopeus



Kierrosten tai liikkeiden määrä minuutissa



Tasavirta



CE-vastaavuus



EurAsian-vaatimustenmukaisuusmerkki



Ukrainalainen säädöstenmukaisuusmerkintä



Lue ohjeet huolellisesti ennen laitteen käynnistämistä.



Käytä kuulosuojaimia



Käytä suojalaseja



Käytöstä poistettavia sähkölaitteita ei pidä hävittää talousjätteiden mukana. Ne on mahdollisuuksien mukaan pantava kiertoon. Kierrätysohjeita antavat kunnan viranomaiset ja vähittäiskauppiat.

KÄSIKIRJAN SYMBOLIT



Huom



Osat ja lisävarusteet on hankittava erikseen



Avaa



Lukko

Seuraavat signaalisanat ja merkitykset on tarkoitettu selittämään tähän tuotteeseen liittyviä riskin tasoja.

 **VAARA**

Ilmoittaa välittömästä vaaratilanteesta, joka saattaa aiheuttaa kuoleman tai vakavan vamman.

 **VAROITUS**

Ilmoittaa mahdollisesta vaaratilanteesta, joka saattaa aiheuttaa kuoleman tai vakavan vamman.

 **VAROITUS**

Ilmoittaa mahdollisesta vaaratilanteesta, joka saattaa aiheuttaa pienen tai kohtalaisen vamman.

VAROITUS

(Ilman varoitusmerkkiä) Tilanne, joka voi aiheuttaa materiaalista vahinkoa.

Sikkerhet, ytelse og driftssikkerhet er gitt topp prioritet i konstruksjonen av din båndsliper.

TILTENKT BRUK

Denne båndeslipemaskinen er ment for sliping av tre, metall, plast og lignende materialer. Den kan også fjerne maling, lakk og korrosjon fra overflater.

Sagen er kun ment brukt av voksne personer som har lest brukermanualen og som forstår risikoen og farene forbundet med bruken av produktet. Dette produktet må bare brukes i et godt ventilerte områder.

Produktet er kun ment for tørrsliping. Ikke bruk maskinen til våtsliping.

Dette verktøyet er kun ment for bruk av forbrukere. Ikke bruk produktet på noe annen måte enn det som er beskrevet som tiltenkt bruk.

⚠ ADVARSEL

Støv fra visse malingstyper, belegg og materialer vil kunne skape irritasjoner eller allergiske reaksjoner i åndedrettssystemet. Støv fra tresorter som eik, bjørk, fiberplater og andre er kreftfremkallende. Materialer som inneholder må kun bearbeides av kvalifiserte spesialoperatører.

⚠ ADVARSEL

Les alle sikkerhetsadvarslene og alle instruksjonene. Dersom man ikke holder seg til advarsler og instruksjoner kan det føre til elektrisk støt, brann og/eller alvorlig personskade.

Ta vare på alle advarsler og instruksjoner for framtidig bruk.

GENERELLE SIKKERHETSADVARSLER FOR ARBEIDSBENKEN

⚠ ADVARSEL

Les alle sikkerhetsadvarsler og alle instruksjonene som følger med arbeidsbenken og det elektriske verktøyet som skal monteres. Dersom man ikke holder seg til advarsler og instruksjoner kan det føre til elektrisk støt, brann og/eller alvorlig personskade.

- **Ta vare på alle advarsler og anvisninger for senere bruk.**
- Betegnelsen "elektroverktøy" i advarslene refererer til strømledningsdrevet elektroverktøy eller batteridrevet (trådløs) elektroverktøy.
- **Koble støpselet fra strømkilden og/eller batteripakken fra verktøyet før du foretar justeringer eller bytte av tilbehør.** Utsiktslett start av det elektriske verktøyet kan forårsake ulykker.
- **Monter arbeidsbenken på riktig måte før du**

monterer verktøyet. Riktig montering er viktig for å forhindre at arbeidsbenken faller sammen.

- **Fest det elektriske verktøyet ordentlig til arbeidsbenken før bruk.** Dersom det elektroniske verktøyet beveger seg på arbeidsbenken kan du miste kontrollen.
- **Plasser arbeidsbenken på et solid, flatt og jevnt underlag.** Dersom arbeidsbenken forskyves eller beveger seg kan du ikke kontrollere det elektroniske verktøyet eller arbeidsstykket på en forsvarlig og jevn måte.
- **Ikke overbelast arbeidsbenken eller bruk som stige eller stilas.** Overbelastning eller å stå på arbeidsbenken kan føre at benken blir «topptung» og kan velte.

SIKKERHETSADVARSLER FOR BÅNDESLIPEMASKIN

- **Bruk alltid vernebriller og støvmaske.**
- **Du må bruke en egnet støvmaske når du sliper flater som er dekket med blyholdig maling og enkelte treslag og metaller, for ikke å puste inn giftig støv eller damp.**
- **Produktet egner seg ikke for sliping av våte gjenstander.**
- **Ikke bruk et slipebelte som er større enn nødvendig.**

EKSTRA ADVARSLER FOR BATTERISIKKERHET

⚠ ADVARSEL

For å unngå fare for en brann forårsaket av en kortslutning, av personskader eller skader av produktet, må det forhindres at batteripakken eller laderen dypes i væsker og også sørges for at ingen væsker kan komme inn i apparatene eller batteriene. Korroderende og ledende væsker som saltvann, visse kjemikalier og blekemidler eller produkt som inneholder blekemidler kan forårsake en kortslutning.

TRANSPORTERE LITUM-BATTERIER

Transporter batteriet i samsvar med lokale og nasjonale forskrifter og bestemmelser.

Følg alle spesielle krav når det gjelder pakking og merking når tredje part skal transportere batteriene. Pass på at batteriene ikke kan komme i kontakt med andre batterier eller ledende materialer når de transporteres ved at du beskytter åpne koblinger med isolerende, ikkeledende hetter eller tape. Ikke transportert batterier som har sprekker eller lekket. Sjekk med transportfirmaet for ytterligere råd.

GJENVÆRENDE RISIKO

Også når produktet brukes som beskrevet, er det ikke mulig å utelukke risiko for brukere eller personer i nærheten. Følgende farer kan oppstå ved bruk og operatøren bør



være spesielt oppmerksom på å unngå/sikre følgende:

- **Blokkering eller kontakt med det bevegelige båndet**
Ytterligere forsiktighet må utvises, spesielt ved bruk av produktet stasjonært for å unngå at operatørens fingre eller hender kommer i kontakt med slipebeltet eller fanges opp av rullene.
- **Kontakt med eller innånding av støv**
Når produktet brukes vil det kunne produseres betydelige mengder støv og fine partikler. Bruk en støvoppsamler eller kople produktet til en støvsuger når det brukes. Bruk åndedrettsbeskyttelse med filter som er tilpasset materialene som skal kappes. Sørg for tilfredsstillende ventilasjon av arbeidsområdet. Ikke spis, drikk eller røyk i arbeidsområdet.
- **Risiko for eksplosjon**
Oppsamlet fint støv kan antennes og føre til brann. Hold arbeidsområdet rent og ryddig. Støvoppsamling og støvsugersystem må rengjøres regelmessig og grundig. Nr metall slipes kan det utløse varme gnister.
- **støy og vibrasjoner**
Benytt alltid hørselvern når dette produktet brukes. Ikke bruk produktet sammenhengende over lang tid.

FAREREDUKSJON

Det har blitt rapportert at vibrasjonene fra håndholdt verktøy kan bidra til en tilstand som heter Raynauds syndrom hos enkelte. Symptomene kan omfatte følelseløshet og gjøre fingrene bleke, vanligvis synlig ved eksponering til lave temperaturer. Arvelige faktorer, eksponering mot lave temperaturer og fuktighet, diett, røyking og arbeidspraksis blir alle ansett for å kunne bidra til å utvikle disse symptomene. Brukeren kan iverksette tiltak for mulig å redusere virkningene av vibrasjonene:

- Hold kroppen din varm i kaldt vær. Bruk hansker og hold hender og vrister varme ved bruk av gressklipperen. Det er rapportert at kaldt vær er en viktig faktor som bidrar til Raynauds Syndrome.
- Etter hver arbeidsperiode bør det utføres øvelser for å øke blodsirkulasjonen.
- Ta ofte pauser fra arbeidet som utføres. Begrens mengden av eksponering pr. dag.

Hvis du opplever noen av symptomene på denne tilstanden må du øyeblikkelig avbryte arbeidet og oppsøke en lege med disse symptomene.

BRUK

- Ikke bruk produktet uten et korrekt montert slipebånd. Et feilmontert slipebånd kan løsne og føre til personskade eller skade på slipemaskinen.
- Fest arbeidsstykket med en tvinge eller til en klemme på en passende arbeidsbenk. Dette hindrer at arbeidsstykket kan komme i bevegelse eller bli kastet ut.
- Bruk de medfølgende håndtakene til å holde og kontrollere produktet med begge hender.

- Pass på at maskinen ikke brukes med makt. Bruk korrekt verktøy for jobben som skal gjøres. Riktig elektrisk verktøy vil gjøre jobben bedre og tryggere når det brukes slik det var tiltenkt.
- Ikke bruk for mye trykk på produktet. La vekten av produktet påføre arbeidsstykket korrekt trykk og bru hendene til å styre slipemaskinen. For mye trykk vil overbelaste og kunne skade motoren. Bruk av mer trykk vil ikke fjerne mer materiale men vil i stedet redusere slipeeffekten.
- Skift slipebånd ofte for å beholde produktets evne til effektiv fjerning av materiale.
- Start produktet med avtrekkerbryteren og la båndet oppnå korrekt arbeidshastighet. Senk så slipebåndet ned til arbeidsstykket. Hold produktet forsvarlig fast med begge hender siden bevegelsen av slipebåndet vil drive produktet framover.
- Velg et slipebånd med korrekt størrelse og grovhet for oppgaven som skal utføres. Bruk slipebånd med lavere korningsgrad for å fjerne mer materiale; høyere korningsgrad for å fjerne mindre materiale og oppnå en glattere overflate. Erstatt slipebåndet dersom det skades, pakkes med materialer fra arbeidsstykket eller blir slitt.
- Det er normalt å slippe og bevege produktet fram og tilbake langs strukturen i materialet. Sliping på tvers av strukturen lar seg gjøre, men vil ofte etterlate seg riper og skader i overflaten.

⚠ ADVARSEL

Støv fra visse malingtyper, belegg og materialer vil kunne skape irritasjoner eller allergiske reaksjoner i åndedrettssystemet. Støv fra tresorter som eik, bjørk, fiberplater og andre er kreftfremkallende. Materialer som inneholder må kun bearbeides av kvalifiserte spesialoperatører.

- Bruk støvoppsamler eller kople støvporten til et sugeapparat for å redusere risikoen forbundet med støvpartikler.
- Alle personer innenfor arbeidsområdet eller i nærområdet skal bruke støvmaske med passende beskyttelse.
- Bruk alltid sikkerhetsbriller eller vernebriller med sideskyttelse når du bruker verktøy.

⚠ ADVARSEL

Skader kan oppstå eller forsterkes ved forlenget bruk av et verktøy. Når du bruker et verktøy over en lenger tidsperiode, husk å ta regelmessige pauser.

KJENN DITT PRODUKT.

Se side 107.

1. Fronthåndtak
2. Lås på bunnen



3. Hovedhåndtak
4. Sponuttaksstuss
5. Batteridør
6. Justeringsknast for slipebelte
7. Avtrekker
8. Frigjøringsspak for slipebelte
9. Justeringsknapp for fronthåndtak
10. Vakuuadapter
11. Støvpose
12. Sandpapirbelte (60 grad)
13. Sandpapirbelte (100 grad)
14. Sandpapirbelte (120 grad)

VEDLIKEHOLD

⚠ ADVARSEL

Produktet må ikke være koblet til strømmettet når du monterer deler, foretar justeringer, rengjør, utfører vedlikehold eller når produktet ikke er i bruk. Ved å koble fra produktet hindrer man utilsiktet start som kan forårsake alvorlig personskade.

⚠ ADVARSEL

Bruk kun originale Ryobi reservedeler ved service og vedlikehold. Bruk av andre deler kan skape fare eller føre til skade på produktet.

⚠ ADVARSEL

Fjern alltid slipebåndet fra produktet før rengjøring. Hvis denne forskriften ikke overholdes, kan det forårsake alvorlige skader.

Unngå bruk av løsemidler når du rengjør plastdelene. De fleste plastmaterialene kan skades ved bruk av løsningsmidlene som fås i handelen. Bruk en ren klut til å tørke bort smuss, støv osv.

⚠ ADVARSEL

Du må aldri la bremsevæske, drivstoff, petroleumsbaserte produkter, rustopløsende olje osv. komme i kontakt med plastikkdeler. Slike kjemiske produkter inneholder stoffer som kan skade, svekke eller ødelegge platen.

Elektroverktøy som brukes på glassfibermaterialer, sponplater og bekledningspaneler slites hurtigere og svikter tidligere siden flis og spon fra disse materialene er meget slipende for enkelte deler av elektriske verktøy som lagere, børster, brytere osv. Vi anbefaler ikke at produktet brukes over lengre tid på slike typer materialer.

Etter hver gangs bruk må båndet og støvoppsamleren - hvis slikt er montert - fjernes. Rengjør støvoppsamleren som vist på illustrasjonene i denne manualen. Rengjør produktet grundig med en børste, tørr klut eller støvsuger.

⚠ ADVARSEL

Ikke bruk trykkluft for å fjerne støv fra produktet idet dette kan føre til alvorlige øyeskader.

Før større sikkerhet og pålitelighet, bør alle reparasjoner utføres av et autorisert Ryobi servicesenter.

Alle lagere i verktøyet er smurt med en passende mengde høykvalitets smøring for maskinens levetid under normale driftsforhold. Det er derfor unødvendig med tilleggsmøring.

MILJØVERN



Resirkuler råmaterialer istedenfor å kaste dem i søppelen. Verktøyet, tilbehørene og emballasjen bør sorteres for miljøvennlig resirkulering.

SYMBOL



Sikkerhetsalarm

V

Volt

n_o

Hastighet uten belastning

min⁻¹

Antall omdreininger eller bevegelser pr. Minutt



Likestrøm



CE samsvar



EurAsian Konformitetstegn



Ukrainsk merke for konformitet



Vennligst les instruksjonene nøyte før du starter maskinen.



Bruk hørselsvern



Bruk øyeskyttelse

EN
FR
DE
ES
IT
NL
PT
DA
SV
FI
NO
RU
PL
CS
HU
RO
LV
LT
ET
HR
SL
SK
BG
UK
TR
EL



Avfall fra elektriske produkter skal ikke kastes sammen med husholdningsavfall. Vennligst resirkulervedeksisterende avfallsbehandlingssted. Undersøk hos dine lokale myndigheter eller forhandler for råd om resirkulering.

SYMBOLER I MANUALEN



Nb



Deler eller tilbehør solgt separat



Låse opp



Lås

Følgende symboler og betydninger forklarer risikonivået som er assosiert med dette produktet.

FARE

Indikerer en umiddelbart farlig situasjon, som, dersom den ikke unngås, kan føre til alvorlig personskade eller død.

ADVARSEL

Indikerer en potensiell farlig situasjon, som, dersom den ikke unngås, kan føre til alvorlig personskade eller død.

ADVARSEL

Indikerer en potensiell farlig situasjon, som, dersom den ikke unngås, kan føre til mindre eller moderate skader.

ADVARSEL

(Uten sikkerhetssymbol) Indikerer en situasjon som kan resultere i skader på eiendom.



EN
FR
DE
ES
IT
NL
PT
DA
SV
FI
NO
RU
PL
CS
HU
RO
LV
LT
ET
HR
SL
SK
BG
UK
TR
EL

При разработке этой ленточной шлифмашины особое внимание уделялось безопасности, производительности и надежности.

НАЗНАЧЕНИЕ

Данная ленточная шлифмашина предназначена для шлифования металла, древесины, пластмассы и аналогичных материалов. Она также очищает поверхность от краски, лака и следов коррозии.

Изделием могут пользоваться операторы, которые прочли инструкции по технике безопасности и осознали опасности, связанные с эксплуатацией изделия. Используйте данное изделие только в хорошо проветриваемых помещениях.

Изделие предназначено для сухого шлифования. Не используйте изделие для влажного шлифования.

Ленточная шлифмашина предназначена только для домашнего использования. Используйте устройство строго по назначению, указанному в настоящем руководстве.

⚠ ОСТОРОЖНО

Пыль, представляющая собой частицы определенных красок, покрытий и материалов, может вызвать раздражение или аллергические реакции дыхательной системы. Пыль от дуба, бука, МДФ и прочей древесины является канцерогенной. К обработке материалов, содержащих асбест, допускаются только опытные квалифицированные операторы.

⚠ ОСТОРОЖНО

Прочтите все указания и инструкции по технике безопасности. Несоблюдение предостережений и инструкций может привести к поражению электрическим током, возгоранию и/или серьезным травмам.

Сохраните все предупреждения и инструкции для использования в будущем.

ОБЩИЕ ТРЕБОВАНИЯ БЕЗОПАСНОСТИ К РАБОЧЕЙ СТОЙКЕ

⚠ ОСТОРОЖНО

Прочтите все требования безопасности и инструкции к рабочей стойке и закрепляемому на ней электроинструменту. Несоблюдение предостережений и инструкций может привести к поражению электрическим током, возгоранию и/или серьезным травмам.

- Сохраните все предупреждения и инструкции для дальнейшего использования.
- Термин "электроинструмент" в предупреждениях

означает инструмент, работающий от электрической сети (проводной) или аккумулятора (беспроводной).

- **Перед началом регулировки или замены принадлежностей отключите инструмент от источника питания и/или извлеките аккумуляторы.** Случайный пуск электроинструмента может стать причиной травмы.
- **Перед креплением инструмента установите рабочую стойку соответствующим образом.** Правильная установка рабочей стойки важна для предотвращения риска падения.
- **Перед использованием электроинструмента прочно закрепите его на рабочей стойке.** Смещение электроинструмента на рабочей стойке может привести к потере управления.
- **Установите рабочую стойку на твердую, плоскую и ровную поверхность.** При смещении или качении рабочей стойки невозможно осуществлять достаточно устойчивый и безопасный контроль за электроинструментом и обрабатываемым объектом.
- **Не перегружайте рабочую стойку и не используйте ее в качестве лестницы или помоста.** Нельзя перегружать рабочую стойку или вставать на нее, в противном случае она может перевернуться.

ПРЕДОСТЕРЕЖЕНИЯ ОТНОСИТЕЛЬНО БЕЗОПАСНОГО ИСПОЛЬЗОВАНИЯ ЛЕНТОЧНОЙ ШЛИФМАШИНЫ

- **Всегда носите защитные очки и респиратор.**
- **Во время шлифования поверхностей, покрытых свинцовыми белилами, некоторых пород древесины и металлических изделий необходимо надевать подходящий респиратор, чтобы предотвратить вдыхание вредной/токсичной пыли или воздуха.**
- **Устройство не подходит для мокрого шлифования.**
- **Не используйте абразивную ленту дольше, чем предусмотрено.**

ТРЕБОВАНИЯ БЕЗОПАСНОСТИ ПРИ ИСПОЛЬЗОВАНИИ ДОПОЛНИТЕЛЬНОЙ АККУМУЛЯТОРНОЙ БАТАРЕИ

⚠ ОСТОРОЖНО

Для предотвращения опасности пожара в результате короткого замыкания, травм и повреждения изделия не опускайте инструмент, сменный аккумулятор или зарядное устройство в жидкости и не допускайте попадания жидкостей внутрь устройств или аккумуляторов. Коррозионные и проводящие жидкости, такие как соленый раствор, определенные химикаты, отбеливающие средства или содержащие их продукты, могут привести к короткому замыканию.





ТРАНСПОРТИРОВКА ЛИТиеВЫХ БАТАРЕЙ

Транспортируйте аккумуляторную батарею в соответствии с местными и государственными правилами и положениями.

При транспортировке батарей третьей стороной соблюдайте все специальные требования по упаковке и маркировке. Проверьте, чтобы аккумуляторные батареи не вступали в контакт с другими батареями или проводимыми материалами при транспортировке, для этого защитите оголенные разъемы изоляцией, изолирующими колпачками или лентами. Не переносите батареи с повреждениями или утечками. За дальнейшими консультациями обратитесь в транспортно-экспедиционную компанию.

ОСТАТОЧНЫЕ РИСКИ

Даже когда изделие используют согласно инструкциям, невозможно полностью устранить факторы риска. Следующие опасности могут возникнуть во время его использования, и во избежание их рабочий должен обратить особое внимание на следующее:

- **Захват или контакт с движущейся лентой**
Особую осторожность следует соблюдать при эксплуатации в инверторном режиме, чтобы не коснуться пальцами или рукой абразивной ленты и не допустить захвата роликами.
- **Контакт с пылью или вдыхание пыли**
В результате использования данного изделия появляется значительное количество пыли и мелких частиц. Используйте устройство сбора пыли или подключайте пылеотсос при эксплуатации изделия. Носите средства защиты органов дыхания, содержащие фильтры, соответствующие обрабатываемым материалам. Обеспечьте надлежащую вентиляцию на рабочем месте. Не ешьте, не пейте и не курите в рабочей зоне.
- **Опасность взрыва**
Накопленная пыль может воспламениться и вызвать пожар. Рабочая зона должна быть чистой и без пыли. Устройства сбора пыли и вакуумного отсасывания следует регулярно и тщательно чистить. При шлифовании металла могут появиться горячие искры.
- **шум и вибрация**
Работайте в защитных очках при эксплуатации изделия. Не эксплуатируйте изделие в течение длительного периода времени без перерыва.

СНИЖЕНИЕ РИСКА

Сообщалось, что вибрация ручных электроинструментов у отдельных лиц может способствовать состоянию, которое называется синдром Рейно. К симптомам могут относиться покалывание, онемение и побеление пальцев (как при переохлаждении). Считают, что наследственные факторы, охлаждение и влажность, диета, курение и практический опыт способствуют

развитию этих симптомов. Ниже приводятся меры, которые может принять оператор для снижения воздействия вибрации:

- Одевайтесь теплее в холодную погоду. При работе с устройством пользуйтесь перчатками, чтобы руки и запястья были в тепле. Считается, что холодная погода является основным фактором, способствующим возникновению болезни Рейно (Raynaud's Syndrome).
- После каждого этапа работы выполните упражнения для усиления кровообращения.
- Чаще делайте перерывы в работе. Сократите длительность ежедневного пребывания на открытом воздухе.

При появлении каких-либо из указанных симптомов сразу же прекратите работу и обратитесь по их поводу к врачу.

ЭКСПЛУАТАЦИЯ

- Не эксплуатируйте изделие без надлежащим образом установленной ленты. Неправильно установленная лента может сорваться и привести к травме или повреждению шлифмашины.
- Закрепляйте обрабатываемую деталь в тисках или зажиме, установленных на верстаке. Это необходимо во избежание случайного вылета заготовки.
- Во время эксплуатации изделия держите его обеими руками за имеющиеся ручки.
- Не допускайте излишнего нажима на изделие. Правильно подбирайте инструмент для выполнения необходимой работы. Правильно подобранный инструмент лучше и безопаснее выполняет свою работу.
- Не давите слишком сильно на изделие. Вес изделия оказывает необходимое давление на заготовку, поэтому не нужно давить на шлифмашину во время ее движения. Избыточное давление приводит к перегрузке изделия и повреждению двигателя. Большее давление не приведет к удалению более толстого слоя материала, но снизит эффективность шлифования.
- Регулярная замена шлифовальной ленты позволяет сохранить эффективность шлифования.
- Запустите изделие кнопкой запуска и дайте ленте набрать необходимую скорость. Затем опустите ленту на заготовку. Крепко держите изделие обеими руками, потому что движение ленты двигает изделие вперед.
- Подбирайте размер и зернистость ленты в соответствии с конкретными требованиями к шлифованию. Используйте ленты с более низким номером зернистости для удаления более толстого слоя материала и с более высоким номером зернистости для удаления более тонкого слоя материала и окончательной обработки. Замените ленту, если она повреждена, засорена



строительным мусором или изношена.

- Обычно шлифование выполняется перемещением изделия взад и вперед вдоль волокон материала. Шлифование поперек волокон возможно, но это вызывает царапины и повреждения на обрабатываемой поверхности.

⚠ ОСТОРОЖНО

Пыль, представляющая собой частицы определенных красок, покрытий и материалов, может вызвать раздражение или аллергические реакции дыхательной системы. Пыль от дуба, бука, МДФ и прочей древесины является канцерогенной. К обработке материалов, содержащих асбест, допускаются только опытные квалифицированные операторы.

- Используйте пылесборник или подключите пылеотвод к устройству вакуумного отсасывания для уменьшения опасности, связанной с частицами пыли.
- Все лица, находящиеся в рабочей зоне или рядом с ней, обязаны использовать пылезащитные маски, обеспечивающие достаточную защиту.
- При работе всегда пользуйтесь защитными очками с боковыми протекторами.

⚠ ОСТОРОЖНО

Продолжительное использование инструмента без перерыва может привести к травмам. При использовании инструмента в течение длительного времени делайте регулярные перерывы.

ИЗУЧИТЕ ИЗДЕЛИЕ

Стр 107.

1. Передняя ручка
2. Кнопка захвата
3. Основная рукоять
4. Пыль Порт
5. Гнездо подключения батареи
6. Ручка регулировки шлифовальной ленты
7. Курок
8. Рычаг освобождения шлифовальной ленты
9. Кнопка регулировки передней ручки
10. Вакуумный адаптер
11. Пылесборный мешок
12. Абразивная лента (зернистость 60)
13. Абразивная лента (зернистость 100)
14. Абразивная лента (зернистость 120)

ТЕХНИЧЕСКОЕ ОБСЛУЖИВАНИЕ

⚠ ОСТОРОЖНО

Никогда не подключайте изделие к источнику питания при сборке деталей, регулировке, очистке, проведении техобслуживания или во время эксплуатации изделия. Отсоединение прибора позволит защитить инструмент от случайного запуска, чреватого серьезными физическими травмами.

⚠ ОСТОРОЖНО

При проведении технического обслуживания используйте только рекомендованные компанией Ryobi детали. Использование других запчастей может представлять опасность или повредить изделия.

⚠ ОСТОРОЖНО

Перед очисткой необходимо снять шлифовальный ремень. Невыполнение этого требования может привести к серьезной травме.

Избегайте использования растворителей во время чистки пластмассовых частей. Многие пластмассы чувствительны к воздействию различных бытовых растворителей и в результате их использования могут разрушиться. Для снятия грязи, пыли и пр. пользуйтесь чистой тряпкой.

⚠ ОСТОРОЖНО

Никогда не допускайте контакта тормозной жидкости, бензина, продуктов на нефтяной основе, пропиточного масла и т. д. с пластмассовыми частями. Эти химикаты содержат вещества, которые могут испортить, ослабить или разрушить пластмассу.

Электрические инструменты, используемые для обработки материалов из стекловолокна, древесноволокнистых плит, поверхностей, покрытых шпатлевкой или штукатуркой, подвержены более быстрому износу и преждевременному выходу из строя, так как крошка стекловолокна и шлифовальная пыль оказывают сильное истирающее действие на подшипники, щетки, коллектор и т.д. Мы не рекомендуем эксплуатировать изделие в течение длительного периода времени без перерыва с этими видами материалов.

После каждого использования снимайте ленту и пылесборник, если таковой установлен. Очищайте шнур питания, как показано на рисунке в данном руководстве. Тщательно очищайте изделие, используя щетку, сухую тряпку или пылесос.

ОСТОРОЖНО

Не пользуйтесь сжатым воздухом для выдувания пыли из изделия во избежание повреждения глаз.

Для большей безопасности и надежности все ремонтные работы должны выполняться в авторизованном сервисном центре Ryobi.

Все трущиеся детали данного инструмента смазаны достаточным количеством высококачественной смазки на весь срок использования устройства при нормальных условиях эксплуатации. Поэтому дополнительная смазка не требуется.

ЗАЩИТА ОКРУЖАЮЩЕЙ СРЕДЫ



Утилизируйте как сырье, а не выбрасывайте как мусор. Машина, аксессуары и упаковка должны быть отсортированы.

СИМВОЛ



Внимание

V Вольт

n_o

Скорость без нагрузки

min⁻¹ Оборотов или возвратно-поступательных движений в минуту



Постоянный ток



Соответствие требованиям CE

Знак Евразийского Соответствия Сертификат Соответствия № TC RU C-DE.PC52.B.01096
Срок действия Сертификата Соответствия По 20.08.2022
«Региональный центр оценки соответствия»
123060, город Москва, улица Маршала Рыбалко, дом 2, корпус 9, помещение 638.



Украинский знак стандартизации



Перед использованием прибора внимательно ознакомьтесь с данной инструкцией.



Применяйте средства защиты органов слуха



Применяйте средства защиты органов зрения



Отработанная электротехническая продукция должна уничтожаться вместе с бытовыми отходами. Утилизируйте, если имеется специальное техническое оборудование. По вопросам утилизации проконсультируйтесь с местным органом власти или предприятием розничной торговли.

ОБОЗНАЧЕНИЯ В РУКОВОДСТВЕ



Примечание



Детали или принадлежности, приобретаемые отдельно



Расцепить



Зафиксировать

Следующие сигнальные слова и значения предназначены, чтобы объяснить уровни риска, связанного с этим изделием.

ОПАСНО

Указывает на потенциально опасную ситуацию, которая, если ее не избежать, приведет к летальному исходу или серьезной травме.

ОСТОРОЖНО

Указывает на потенциально опасную ситуацию, которая, если ее не избежать, может привести к летальному исходу или серьезной травме.

ВНИМАНИЕ

Указывает на потенциально опасную ситуацию, которая, если ее не избежать, может привести к травме легкой или средней тяжести.

ВНИМАНИЕ

(Без Символа Тревоги Безопасности) Указывает ситуацию, которая может кончиться повреждением собственности.

Транспортировка:

Категорически не допускается падение и любые механические воздействия на упаковку при транспортировке.

При разгрузке/погрузке не допускается использование любого вида техники, работающей по принципу зажима упаковок.

Хранение:

Необходимо хранить в сухом месте.

Необходимо хранить вдали от источников повышенных температур и воздействия солнечных лучей.

При хранении необходимо избегать резкого перепада температур.

Хранение без упаковки не допускается.

Срок службы изделия:

Срок службы изделия составляет 5 лет.

Не рекомендуется к эксплуатации по истечении 5 лет хранения с даты изготовления без предварительной проверки.

Дата изготовления (код даты) отштампован на поверхности корпуса изделия.

Пример:

W17 Y2015, где Y2015 - год изготовления

W17 – неделя изготовления

Определить месяц изготовления можно согласно приведенной ниже таблице, на примере 2015 года.

Обратите внимание! Количество недель в месяце различается от года в год.

Месяц	Январь	Февраль	Март	Апрель	Май	Июнь	Июль	Август	Сентябрь	Октябрь	Ноябрь	Декабрь	Год
Неделя	01	05	09	14	18	22	27	31	36	40	44	49	2015
	02	06	10	15	19	23	28	32	37	41	45	50	
	03	07	11	16	20	24	29	33	38	42	46	51	
	04	08	12	17	21	25	30	34	39	43	47	52	
	05	09	13	18	22	26	31	35	40	44	48	53	
			14			27							

W przypadku tej szlifierki taśmowej zwrócono szczególną uwagę na zapewnienie bezpieczeństwa, wysokiej wydajności oraz niezawodności.

PRZEZNACZENIE

Ta szlifierka taśmowa jest przeznaczona do szlifowania metalu, drewna, plastiku oraz podobnych materiałów. Umożliwia ona również usuwanie farby, lakieru oraz korozji z powierzchni.

Jest ona przeznaczona do obsługi przez operatorów, którzy przeczytali podręcznik obsługi i rozumieją powiązane ryzyka i zagrożenia. Produkt powinien być używany wyłącznie w dobrze wentylowanych miejscach.

Produkt jest przeznaczony wyłącznie do szlifowania na sucho. Nie należy używać tego produktu do szlifowania na mokro.

Szlifierka taśmowa jest przeznaczona wyłącznie do użytku konsumenckiego. Nie należy używać tego produktu niezgodnie z przeznaczeniem.

⚠ OSTRZEŻENIE

Pył z określonych farb, powłok oraz materiałów może powodować podrażnienie lub reakcje alergiczne układu oddechowego. Pył z drzew takich jak dąb, brzoza, z płyt MDF itp. jest rakotwórczy. Materiał zawierający azbest może być obsługiwany wyłącznie przez specjalnie wykwalifikowanych operatorów.

⚠ OSTRZEŻENIE

Zapoznaj się ze wszystkimi zasadami bezpieczeństwa i instrukcjami. Nieprzestrzeganie instrukcji i zasad bezpieczeństwa zawartych w ostrzeżeniach grozi porażeniem prądem elektrycznym, pożarem lub poważnymi obrażeniami.

Zachowaj wszystkie ostrzeżenia i instrukcje do wykorzystania w przyszłości.

OGÓLNE OSTRZEŻENIA DOTYCZĄCE BEZPIECZEŃSTWA PODSTAWY ROBOCZEJ

⚠ OSTRZEŻENIE

Należy zapoznać się ze wszystkimi ostrzeżeniami dotyczącymi bezpieczeństwa oraz wszelkimi instrukcjami przekazanymi wraz z podstawą roboczą i narzędziem z napędem. Nieprzestrzeganie instrukcji i zasad bezpieczeństwa zawartych w ostrzeżeniach grozi porażeniem prądem elektrycznym, pożarem lub poważnymi obrażeniami.

- Zachowaj wszystkie ostrzeżenia i instrukcje do wykorzystania w przyszłości.
- Określenie „elektronarzędzie” w ostrzeżeniach oznacza zasilane z sieci (przewodowe) elektronarzędzie lub zasilane akumulatorem (beprzewodowe)

elektronarzędzie.

- **Przed przystąpieniem do regulacji lub wymiany akcesoriów należy odłączyć wtyczkę od źródła zasilania i/lub odłączyć akumulator od narzędzia z napędem.** Przypadkowe uruchomienie narzędzia z napędem może spowodować wypadek.
- **Przed zamontowaniem narzędzia należy odpowiednio zmontować podstawę roboczą.** Właściwy montaż jest ważny ze względu na zapobieżenie przypadkowemu złożeniu się.
- **Przed rozpoczęciem użytkowania należy bezpiecznie przymocować narzędzie z zasilaniem do podstawy roboczej.** Narzędzie z napędem na podstawie roboczej może spowodować utratę kontroli.
- **Podstawę roboczą należy umieścić na solidnej, płaskiej i poziomej powierzchni.** Gdy podstawa robocza może się przemieszczać lub chybotać się, narzędzie z napędem lub obrabiany przedmiot nie mogą być pewnie i bezpiecznie kontrolowane.
- **Nie należy przeciągać podstawy roboczej ani nie używać jej jako drabiny lub rusztowania.** Przeciążenie podstawy roboczej lub stanie na niej powoduje jej przeciążenie i może spowodować nadmierne przechylenie.

SZLIFIERKA TAŚMOWA – OSTRZEŻENIA DOTYCZĄCE BEZPIECZEŃSTWA

- **Zawsze należy nosić okulary ochronne i maskę przeciwpyłową.**
- **Kiedy szlifujesz powierzchnie pokryte farbą na bazie ołowiu, czy niektóre drewna i metale, powinniście zakładać odpowiednią maskę przeciwpyłową w celu uniknięcia wdychania pyłu czy toksycznych oparów.**
- **Produkt nie jest przeznaczony do szlifowania na mokro.**
- **Nie stosować taśmy ścierniej o większym rozmiarze niż to potrzebne.**

AKUMULATOR — DODATKOWE OSTRZEŻENIA DOTYCZĄCE BEZPIECZEŃSTWA

⚠ OSTRZEŻENIE

Aby uniknąć niebezpieczeństwa pożaru, obrażeń lub uszkodzeń produktu na skutek zwarcia, nie wolno zanurzać narzędzia, akumulatora wymiennego ani ładowarki w cieczach i należy zatroszczyć się o to, aby do urządzeń i akumulatorów nie dostały się żadne ciecze. Zwarcie spowodować mogą korodujące lub przewodzące ciecze, takie jak woda morską, określone chemikalia i wybielacze lub produkty zawierające wybielacze.



TRANSPORTOWANIE AKUMULATORÓW LITOWYCH

Akumulatory należy transportować zgodnie z lokalnymi i krajowymi przepisami i regulacjami.

Należy postępować zgodnie z wszystkimi specjalnymi wymaganiami dotyczącymi pakowania i etykietowania akumulatorów podczas transportu przez stronę trzecią. Upewnij się, że żadne akumulatory nie zetkną się z innymi akumulatorami lub materiałami przewodzącymi podczas transportu. W tym celu należy zabezpieczyć odkryte złącza nieprzewodzącymi nakładkami izolacyjnymi lub taśmą izolacyjną. Nie należy transportować pękniętych ani nieszczelnych akumulatorów. Szczegółowe porady można uzyskać w firmie spedycyjnej.

RYZIKO ZWIĄZANE Z UŻYTKOWANIEM

Nawet jeśli produkt jest używany zgodnie z zaleceniami, nadal nie jest możliwe wyeliminowanie określonych czynników ryzyka. Następujące zagrożenia mogą wystąpić podczas używania urządzenia i operator powinien zwracać szczególną uwagę na poniższe punkty:

- Pochwycenie lub kontakt z poruszającą się taśmą
Należy zachować szczególną ostrożność, szczególnie podczas pracy w odwróconym trybie, aby nie dopuścić do kontaktu palców i dłoni operatora z taśmą ścierną lub pochwytną przez rolki.
- Kontakt lub wdychanie pyłu
Podczas korzystania z produktu wytwarzane są duże ilości drobnych cząstek. Podczas obsługi produktu należy używać urządzenia odpylającego lub odkurzacza. Należy nosić maskę ochronną z filtrem odpowiednim do obrabianego materiału. Należy zapewnić odpowiednią wentylację miejsca pracy. Nie jeść, nie pić i nie palić w miejscu pracy.
- Ryzyko eksplozji
Nagromadzony drobny pył może zapalić się i spowodować pożar. Miejsce pracy musi być czyste i wolne od pyłu. Układy zbierania i usuwania pyłu powinny być regulowane i dokładnie czyszczone. Podczas szlifowania metalu mogą powstawać gorące iskry.
- hałas i wibracje
Podczas obsługi produktu należy nosić środki ochrony słuchu. Nie należy używać produktu przez dłuższy czas.

OGRANICZENIE RYZYKA

Znane są przypadki wywołania u niektórych osób objawu Raynauda spowodowanego wibracjami ręcznych narzędzi. Typowe objawy to mrowienie, drętwienie i blednięcie palców, widoczne zrywanie po wystawieniu na działanie zimna. Uważa się, że czynniki dziedziczne, wystawienie na działanie zimna i wilgoci, dieta, palenie papierosów i przyjęte zwyczaje przyczyniają się do rozwoju tych objawów. Istnieją środki zaradcze, które może podjąć operator narzędzia, aby zmniejszyć efekt wibracji:

- Zadać w niskich temperaturach o ciepłotę własnego ciała, zakładając odpowiednie ubranie. Podczas

obsługi urządzenia należy nosić rękawice, aby dłonie i nadgarstki były ciepłe. Wiadomo, że niskie temperatury są główną przyczyną powstawania objawu Raynauda.

- Podczas przerw w pracy należy wykonywać ćwiczenia poprawiające krążenie krwi..
- Podczas pracy robić częste przerwy. Ograniczyć ekspozycję w ciągu dnia.

W razie doświadczenia dowolnego z wymienionych objawów, należy niezwłocznie zaprzestać użytkowania tego urządzenia i skontaktować się z lekarzem.

OBSŁUGA

- Nie należy obsługiwać produktu bez odpowiednio ustawionej i zamocowanej taśmy. Nieprawidłowo ustawiona taśma może zsunąć się z produktu i spowodować urazy ciała lub uszkodzenie szlifierki.
- Zamocować obrabiany produkt za pomocą imadła lub zacisku do odpowiedniego stołu roboczego. Pomoże to unieruchomić obrabiany produkt.
- Należy użyć dołączonych uchwytów w celu przytrzymania i kontrolowania produktu obiema rękoma.
- Nie stosować siły podczas korzystania z produktu. Należy stosować odpowiedni produkt do danego zastosowania. Odpowiedni produkt będzie najwydajniejszy i najbezpieczniejszy w obsłudze, jeśli będzie używany zgodnie z przeznaczeniem.
- Nie dociskać zbyt mocno produktu. Produkt powinien pracować pod swoim własnym ciężarem i należy używać rąk do prowadzenia szlifierki. Nadmierne dociskanie spowoduje przeciężenie produktu i uszkodzenie silnika. Mocniejsze dociskanie nie spowoduje lepszego usunięcia materiału, a zamiast tego ograniczy efektywność szlifowania.
- Należy często zmieniać taśmę ścierną w celu zapewnienia efektywnego usuwania materiału.
- Uruchomić produkt za pomocą włącznika i odczekać, aż taśma osiągnie odpowiednią prędkość. Następnie opuścić taśmę na obrabiany produkt. Przytrzymać mocno produkt obiema rękoma, ponieważ ruch taśmy spowoduje przesuwanie produktu do przodu.
- Należy wybrać taśmę o odpowiednim rozmiarze i odpowiedniej szorstkości do określonego zadania. Taśmy o niższej ziarnistości należy używać do usuwania większej ilości materiału, natomiast taśmy o wyższej ziarnistości należy używać do usuwania mniejszej ilości materiału i do bardziej precyzyjnego wykańczania. Wymienić taśmę, jeśli będzie uszkodzona, zapchana pyłem lub zużyta.
- Standardowo należy szlifować produkt do przodu i do tyłu wzdłuż włókien materiału. Szlifowanie w poprzek włókien również jest skuteczne, ale będzie powodować zarysowanie i uszkodzenie powierzchni.

EN
FR
DE
ES
NL
PT
DA
SV
FI
NO
RU
PL
CS
HU
RO
LV
LT
ET
HR
SK
SL
BG
UK
TR
EL



⚠ OSTRZEŻENIE

Pył z określonych farb, powłok oraz materiałów może powodować podrażnienie lub reakcje alergiczne układu oddechowego. Pył z drzew takich jak dąb, brzoza, z płyt MDF itp. jest rakotwórczy. Materiał zawierający azbest może być obsługiwany wyłącznie przez specjalnie wykwalifikowanych operatorów.

- Należy używać pochłaniacza pyłu lub podłączyć króciec pyłu do odkurzacza, aby ograniczyć ryzyko związane z obecnością cząstek pyłu.
- Wszystkie osoby w obszarze wykonywania prac lub w pobliżu powinny nosić maski przeciwpyłowe oferujące odpowiednią ochronę.
- Kiedy używacie narzędzi, zakładajcie zawsze okulary ochronne lub okulary zabezpieczające wyposażone w boczne osłony.

⚠ OSTRZEŻENIE

Długotrwałe użytkowanie narzędzia może spowodować obrażenia ciała lub nasilić dolegliwości zdrowotne. W przypadku używania narzędzia przed dłuższy czas należy pamiętać o regularnych przerwach.

INFORMACJE O PRODUKCIE

Patrz strona 107.

1. Przedni uchwyt
2. Przycisk blokujący
3. Główny uchwyt
4. Przyłącze do odciążu trocin
5. Gniazdo akumulatora
6. Gałka regulacji taśmy szlifierskiej
7. Przycisk uruchamiający
8. Dźwignia zwalnająca taśmę szlifierską
9. Przycisk regulacji przedniego uchwytu
10. Adapter odkurzacza
11. Worek na pył
12. Pas ścierny (ziarno 60)
13. Pas ścierny (ziarno 100)
14. Pas ścierny (ziarno 120)

KONSERWACJA

⚠ OSTRZEŻENIE

Produkt nigdy nie może być podłączony do źródła zasilania podczas montażu części, czyszczenia, konserwacji lub gdy nie jest używany. Odłączenie produktu zapobiegnie przypadkowemu uruchomieniu, które mogłoby spowodować poważne obrażenia ciała.

⚠ OSTRZEŻENIE

Podczas konserwacji i naprawy używać wyłącznie identycznych części zamiennych firmy Ryobi. Użycie jakiegokolwiek innej części mogłoby spowodować zagrożenie lub też uszkodzić wasze narzędzie.

⚠ OSTRZEŻENIE

Przed czyszczeniem należy zawsze zdejmować taśmę szlifierską z produktu. Nie zastosowanie się do tego wymogu może spowodować ciężkie obrażenia ciała.

Nie stosować rozpuszczalników do czyszczenia elementów plastikowych. Większość tworzyw sztucznych, mogłyby zostać uszkodzone przez użycie rozpuszczalników dostępnych w sprzedaży. Używajcie czystej szmatki do mycia zabrudzeń, pyłu, itd.

⚠ OSTRZEŻENIE

Nie wolno dopuścić do kontaktu plastikowych części z płynem hamulcowym, benzyną, produktami ropopochodnymi, olejami penetrującymi itp. Substancje te zawierają produkty chemiczne, które mogłyby uszkodzić, osłabić lub zniszczyć plastik.

Stosowanie elektronarzędzi do obróbki włókna szklanego, płyt gipsowo-kartonowych, tynku lub innych materiałów budowlanych powoduje ich szybsze zużycie i ryzyko przedwczesnego uszkodzenia z powodu właściwości ściernych pyłu i opiłków przedostających się do łożysk, szczotek, komutatora itp. Nie zalecamy używania produktu przed długi czas do obróbki materiałów tego typu.

Po każdym użyciu należy zdjąć taśmę i odłączyć pochłaniacz pyłu, jeśli jest założony. Wyczyścić pochłaniacz pyłu, jak pokazano na ilustracjach w tym podręczniku. Wyczyścić dokładnie produkt przy użyciu szczotki, suchej szmatki i odkurzacza.


⚠ OSTRZEŻENIE

Nie należy używać sprężonego powietrza do usuwania pyłu z produktu, ponieważ może to spowodować poważne urazy oczu.

Dla większego bezpieczeństwa i lepszej pewności, wszystkie naprawy powinny być wykonywane w Autoryzowanym Punkcie Serwisowym Ryobi.

Wszystkie łożyska urządzenia zostały nasmarowane odpowiednią ilością smaru o wysokiej jakości, który powinien zapewnić odpowiednie smarowanie tych części przez cały okres żywotności urządzenia. W wyniku czego, nie zachodzi potrzeba dodatkowego smarowania.



OCHRONA ŚRODOWISKA



 Surowce należy oddawać do powtórnego przetworzenia zamiast wyrzucać je na śmieci. Z myślą o ochronie środowiska, narzędzie, akcesoria i opakowania powinny być sortowane.

SYMBOL

-  Alarm bezpieczeństwa
- V Wolt
- n_o Prędkość bez obciążenia
- min⁻¹ Ilość obrotów czy ruchów na minutę
-  Prąd stały
-  Zgodność CE
-  Znak zgodności EurAsian
-  Ukraiński znak zgodności
-  Przed uruchomieniem urządzenia prosimy uważnie przeczytać instrukcję
-  Stosować środki ochrony słuchu
-  Stosować środki ochrony wzroku
-  Zużyte produkty elektryczne nie powinny być utylizowane z odpadami domowymi. Prosimy poddawać recyklingowi w odpowiednich miejscach. Informacje o właściwych metodach recyklingu można uzyskać u władz lokalnych lub sprzedawcy.

SYMBOLE W INSTRUKCJI

-  Uwaga
-  Części lub akcesoria sprzedawane oddzielnie

-  Odkręcenie uchwytu
-  Blokada

Poniższe symbole i nazwy które im nadano, pozwalają wyjaśnić różne poziomy ryzyka związanego z używaniem tego narzędzia.

⚠ NIEBEZPIECZEŃSTWO
Oznacza bezpośrednio niebezpieczną sytuację, która, jeśli nie zostanie uniknięta, spowoduje śmierć lub poważne urazy ciała.

⚠ OSTRZEŻENIE
Oznacza potencjalnie niebezpieczną sytuację, która, jeśli nie zostanie uniknięta, może spowodować śmierć lub poważne urazy ciała.

⚠ UWAGA
Oznacza potencjalnie niebezpieczną sytuację, która, jeśli nie zostanie uniknięta, może spowodować niewielkie lub umiarkowane urazy ciała.

UWAGA
(Bez symbolu bezpieczeństwa) Wskazuje na sytuację mogącą spowodować straty materialne.



Bezpečnost, výkon a spolehlivost byli hlavní prioritou při návrhu vaší pásové brusky.

ZAMÝŠLENÉ POUŽITÍ

Tato pásová bruska je určena pro broušení kovu, dřeva, plastu nebo podobných materiálů. Může také odstraňovat barvy, laky a korozí z povrchů.

Je určeno pro použití osobami, které si přečetli návod k obsluze a porozuměli rizikům a nebezpečí. Produkt by měl být používán pouze v dobře větraných prostorech.

Tento výrobek je určen jen k broušení za sucha. Nepoužívejte výrobek k broušení za mokra.

Je určeno jen pro domácí použití. Nepoužívejte výrobek jinak než je uvedeno v určeném použití.

⚠ VAROVÁNÍ

Prach z určitých barev, laků a materiálů může způsobit podráždění nebo alergické reakce na dýchací ústrojí. Prach ze dřeva, jako je dub, buk, překližka a jiných, je karcinogenní. Materiál obsahující azbest se nesmí nikdy zpracovávat nebo pouze zpracovávat kvalifikovaným specialistou.

⚠ VAROVÁNÍ

Přečtěte si všechny pokyny a bezpečnostní varování. Nedodržování upozornění a těchto pokynů může vést k úrazu elektrickým proudem, ke vzniku požáru nebo vážnému zranění.

Uchovejte si všechny pokyny a varování pro budoucí nahlédnutí.

VŠEOBECNÁ BEZPEČNOSTNÍ VAROVÁNÍ K PRACOVNÍMU STOJANU

⚠ VAROVÁNÍ

Přečtěte si všechna bezpečnostní varování a všechny pokyny dodané s pracovním stojanem a elektrickým nářadím určeným k připevnění na něj. Nedodržování upozornění a těchto pokynů může vést k úrazu elektrickým proudem, ke vzniku požáru nebo vážnému zranění.

- **Uchovejte si všechny pokyny a varování pro budoucí nahlédnutí.**
- Termín „elektrické nářadí“ ve výstrahách odkazuje na elektrické nářadí napájené ze sítě (s kabelem) nebo na baterie (bez kabelu).
- **Před provedením jakékoli úpravy či výměny příslušenství odpojte nejdříve zástrčku ze zdroje elektrického napětí, popřípadě vyjměte baterii z elektrického nářadí.** Náhodné spuštění elektrického nářadí bývá příčinou úrazů.
- **Před upevněním nářadí nejdříve řádně sestavte**

pracovní stojan. Řádné smontování je důležité, aby stojan nespadl.

- **Před použitím bezpečně připevněte elektrické nářadí k pracovnímu stojanu.** Pokud není elektrické nářadí k pracovnímu stojanu řádně připevněno, může vést ke ztrátě kontroly na ním.
- **Umístěte pracovní stojan na pevný, hladký a rovný povrch.** Pokud se pracovní stojan posunuje nebo viklá, není možné zajistit pevnou a bezpečnou kontrolu nad elektrickým nářadím či obrobkem.
- **Pracovní stojan nepřetěžujte a nepoužívejte ho jako žebřík nebo lešení.** Přetěžováním či stáním na pracovním stojanu ho může převážet a převrátit.

BEZPEČNOSTNÍ VAROVÁNÍ K PÁSOVÉ BRUSCE

- **Vždy jako obsluha noste ochranu sluchu a respirátor.**
- **Při broušení barev s obsahem olova, při opracovávání povrchu dřeva a při leštění kovu používejte vhodný protiprašný respirátor, abyste nevedchovali prach z odbroušeného materiálu, který může být u některých druhů dřeva a kovů toxický.**
- **Výrobek není vhodný pro broušení za mokra.**
- **Nepoužívejte brusný pás delší než je potřeba.**

DOPLŇUJÍCÍ BEZPEČNOSTNÍ UPOZORNĚNÍ K BATERII

⚠ VAROVÁNÍ

Abyste zabránili nebezpečí požáru způsobeného zkratem, poraněním nebo poškozením výrobku, neponořujte nářadí, výměnnou baterii nebo nabíječku do kapalin a zajistěte, aby do zařízení a akumulátorů nevnikly žádné tekutiny. Korodující nebo vodivé kapaliny, jako je slaná voda, určité chemikálie a bělicí prostředky nebo výrobky, které obsahují bělidlo, mohou způsobit zkrat.

TRANSPORT LITHIOVÝCH BATERÍ

Přenos baterie dle místních a národních opatření a předpisů.

Dodržujte všechny zvláštní požadavky na balení a značení při transportu baterií třetí stranou. Zajistěte, aby žádné baterie nepřišly do kontaktu s jinými bateriemi nebo vodivými materiály při transportu pomocí ochrany nekrytých kontaktů prostřednictvím izolace, nevodivých krytek či lepicích pásek. Nepřepravujte prasklé nebo baterie s unikajícím elektrolytem. Ptejte se u zásilkové společnosti na další radu.

ZBYTKOVÁ RIZIKA

Dokonce, i když se výrobek provozuje jak je předepsáno, je stále nemožné zcela eliminovat veškeré zbytkové rizikové





EN
FR
DE
ES
IT
NL
PT
DA
SV
FI
NO
RU
PL
CS
HU
RO
LV
LT
ET
HR
SL
SK
BG
UK
TR
EL

faktory. Následující nebezpečí mohou nastat při používání; vyhýbejte se:

- Zachycení nebo kontakt s pohyblivým pásem
Navíc nutno být opatrný, aby se zejména v obráceném režimu zabránilo styku prstů a rukou operátora s brusným pásem nebo zachycení válečky/kladkami.
- Kontakt nebo vdechnutí prachu
Při používání výrobku se tvoří značné množství prachu a jemných částic. Při provozování produktu používejte zařízení na zachycení prachu nebo připojte vysavač. Noste dýchací masky obsahující filtry vhodné pro obráběné materiály. Zajistit dostatečné větrání pracoviště. V pracovní oblasti výrobku nejíst, nepít, ani nekouřit.
- Riziko výbuchu
Nahromaděný jemný prach se může vznítit a způsobit požár. Udržujte pracovní prostor v čistotě a bez prachu. Systémy odvádění a sběru prachu by měly být pravidelně a důkladně čištěny. Při broušení kovu mohou být produkovány horké jiskry.
- hluk a vibrace
Noste během provozu tohoto výrobku ochranu sluchu. Neprovozujte produkt příliš dlouhou dobu.

SNÍŽENÍ RIZIKA

Bylo zjištěno, že vibrace z nástrojů mohou u některých osob přispívat ke stavu tzv Raynaud's Syndrome (Raynaudovu syndromu). Mezi jeho příznaky patří brnění, necitlivost a zblednutí prstů, patrně obvykle po pobytu v chladu. Vědci se domnívají, že k rozvinutí těchto příznaků přispívají dědičné faktory, pobyt v chladu a vlhku, strava, kouření a pracovní návyky. Uživatel může omezit případné působení vibrací použitím vhodných opatření:

- Za chladného počasí se teple oblečte. Při práci s nástrojem si navlékněte rukavice, abyste udrželi ruce a zápěstí v teple. Bylo zjištěno, že chladné počasí je hlavním faktorem přispívajícím k Raynaud's Syndrome (Raynaudovu syndromu).
- Během práce si v pravidelných intervalech zacvičte, abyste zvýšili krevní oběh.
- Zařažujte časté pracovní přestávky. Omezte dobu práce za den.

Jakmile pocítíte některý z výše uvedených příznaků tohoto syndromu, okamžitě přerušte práci a vyhledejte lékaře.

OBSLUHA

- Neprovozujte výrobek bez řádně vedeného a namontovaného pásu. Nesprávně vedený pás může odhodit výrobek a způsobit zranění osob nebo poškození brusky.
- Zajistěte obrobek ve svěráku nebo svorkou na vhodném pracovním stole. To pomáhá zabránit odhození obrobku.
- Použijte dodávané rukojeti pro držení a ovládání výrobku oběma rukama.

- Netlačte na produkt. Nářadí vybírejte podle povahy práce, kterou chcete provádět. Správný nástroj bude svou prací provádět lépe a bezpečněji při práci, pro kterou byl navržen.
- Nevytvírejte nadměrný tlak na výrobek. Nechte hmotností výrobku vytvořit správný tlak a ruce používejte k vedení brusky. Nadměrný tlak přetíží výrobek a poškodí motor. Použití silnějšího tlaku neodstraní více materiálu a místo toho se sníží účinnost broušení.
- Měňte často brusný pás pro udržení schopnosti výrobku efektivně odstraňovat materiál.
- Spusťte produkt pomocí spínače na rukojeti a nechte pás rozběhnout, aby získal správnou rychlost. Pak spusťte pás na obrobek. Držte produkt bezpečně oběma rukama, protože pohyb pásu bude vést produkt dopředu.
- Vybte pás o správné velikosti a vhodné drsnosti pro daný úkol. Používejte pásy s nižším číslem zrnitosti pro odstraňování více materiálu; vyšší číslo zrnitosti odstraní méně materiálu a poskytne hladší povrch. Vyměňte řemen dojde-li k poškození, zanesení nečistotami nebo je opotřeben.
- Je normální brousit a výrobek přesouvat tam a zpět podél zrnitosti materiálů. Broušení napříč zrnitostí bude fungovat, ale povede to k poškrábání a poškození plochy.

VAROVÁNÍ

Prach z určitých barev, laků a materiálů může způsobit podráždění nebo alergické reakce na dýchací ústrojí. Prach ze dřeva, jako je dub, buk, překližka a jiných, je karcinogenní. Materiál obsahující azbest se nesmí nikdy zpracovávat nebo pouze zpracovávat kvalifikovaným specialistou.

- Použijte sběrač prachu nebo připojte přípojku odvodu prachu do odsávacího zařízení ke snížení rizik spojených s prachovými částicemi.
- Všechny osoby v pracovní oblasti nebo blízkém okolí by měly nosit prachové masky, které poskytují přiměřenou ochranu.
- Z bezpečnostních důvodů používejte při práci uzavřené ochranné brýle (s boční ochranou).

VAROVÁNÍ

Poranění mohou být způsobena, či zhoršena, prodlouženým používáním nástroje. Když používáte jakýkoliv nástroj delší dobu, dělejte pravidelně přestávky.

SEZNAMTE SE S VÝROBKEM

Viz strana 107.

1. Přední rukojeť
2. Zamykací tlačítko
3. Hlavní rukojeť
4. Napojení na odsávání prachu



5. Otvor pro baterie
6. Otočný regulátor nastavení brusného pásu
7. Spoušť
8. Uvolňovací páčka brusného pásu
9. Tlačítko nastavení přední rukojeti
10. Adaptér na sací zařízení
11. Sáček pro prach
12. Brusný pás (60 zrnitost)
13. Brusný pás (100 zrnitost)
14. Brusný pás (120 zrnitost)

ÚDRŽBA

VAROVÁNÍ

Výrobek nikdy nepřipojujte ke zdroji napájení, když se montují díly, provádí seřizování, čištění, údržba nebo když se nepoužívá. Odpojením produktu předejdete náhodnému spuštění a tím vážnému osobnímu poranění.

VAROVÁNÍ

Pokud opravujete, používejte pouze stejné náhradní díly firmy Ryobi. Použití jakýchkoliv jiných dílů může vytvořit nebezpečí nebo způsobit poškození výrobku.

VAROVÁNÍ

Vždy před čištěním z výrobku sejměte pískovací pás. Nedodržení tohoto pokynu může způsobit vážné zranění.

Vyhňte se používání rozpouštědel, když čistíte plastové díly. Většina ředidel běžně dostupných v obchodní síti se nehodí k čištění plastových částí, neboť narušuje povrch plastů. K odstranění nečistot, prachu apod. používejte čistý hadr.

VAROVÁNÍ

Nikdy nenechte přijít brzdové kapaliny, petrolej, výrobky založené na petroleji, pronikavé oleje, atd. do kontaktu s plastovými součástmi. Tyto výrobky obsahují chemikálie, které mohou poškodit, oslabit nebo zničit plastové části, případně snížit jejich životnost.

Elektrické nářadí používané k opracování materiálu ze skleněného vlákna, sádrových desek, obkladových desek se snadněji opotřebovává a má kratší životnost, protože třísky a kovové piliny vznikající při řezání kovů odírají některé díly elektronářadí, jako jsou převody, kartáče, spouštěče apod. Proto se nedoporučuje používat tento nástroj po dlouhou dobu na tyto druhy materiálů.

Po každém použití demontujte pás a sběrač prachu, pokud je nainstalován. Vyčistěte sběrač prachu, jak je ukázáno na obrázcích v tomto návodu. Vyčistěte produkt důkladně kartáčem a suchým hadříkem a vysavačem.

VAROVÁNÍ

Nepoužívejte stlačený vzduch pro vyfouknutí prachu ze zařízení, aby se zabránilo vážnému zranění očí.

Pro větší bezpečnost a spolehlivost by veškeré opravy měly být prováděny autorizovaným servisním střediskem Ryobi.

Veškerá ložiska nářadí byla výrobcem namazána dostatečným množstvím vysoce účinného maziva, které stačí na celou dobu životnosti nářadí při normálních podmínkách používání. Žádné další mazání nářadí není nutné.

OCHRANA ŽIVOTNÍHO PROSTŘEDÍ



V rámci možností neodhazujte vysloužilé nářadí do domovního odpadu a upřednostněte jeho recyklaci. V souladu s předpisy na ochranu životního prostředí odkládejte vysloužilé nářadí, příslušenství i obalový materiál do tříděného odpadu.

SYMBOL



Bezpečnostní výstraha



Napětí



Rychlost naprázdno (otáčky)



Počet otáček nebo pohybů (kmitů) za minutu



Stejnoseměrný proud



Shoda CE



Euroasijská značka shody



Ukrajinská značka shody



Před spuštěním přístroje si řádně přečtěte pokyny.



Noste ochranu sluchu



Noste ochranu očí



Odpad elektrických výrobků se nesmí likvidovat v domovním odpadu. Recyklujte prosím na sběrných místech. Ptejte se u místních úřadů nebo prodejce na postup při recyklaci.

SYMBOLY POUŽITÉ V NÁVODU



Poznámka



Díly nebo příslušenství jsou v prodeji samostatně



Odemknuto



Zamknuto

Následující signální slova a významy jsou vhodné pro vysvětlení úrovně nebezpečí spojených s tímto výrobkem.

NEBEZPEČÍ

Upozorňuje na bezprostředně nebezpečnou situaci, která vede k usmrcení nebo těžkému zranění.

VAROVÁNÍ

Upozorňuje na možnou nebezpečnou situaci, která by mohla vést ke smrtelnému úrazu nebo k závažnému zranění.

POZOR

Upozorňuje na možnou nebezpečnou situaci, která může vést k menšímu nebo lehkému zranění.

POZOR

(Bez bezpečnostního výstražného symbolu) Určuje situaci, která může mít za následek vážné poškození.

A szalagcsiszoló tervezésekor a biztonság, a teljesítmény és a megbízhatóság voltak a legfontosabb szempontok.

RENDELTESSZERŰ HASZNÁLAT

Ez a szalagcsiszoló fém, fa, műanyag és más hasonló anyagok csiszolására szolgál. Használható festék, lakk és korrózió eltávolítására is a felületekről.

Csak olyan kezelők használhatják, akik elolvasták a használati utasítást és tisztában vannak a kapcsolódó veszélyekkel és kockázatokkal. A termék csak jól szellőző helyeken használható.

A termék csak száraz csiszolásra való. Ne használja a terméket nedves csiszoláshoz.

A szalagcsiszoló csak otthoni használatra való. Ne használja a terméket a rendeltetésétől eltérő célra.

⚠ FIGYELEM

Bizonyos festékekből, bevonatokból és anyagokból a por irritációt vagy allergiás reakciót válthat ki a légzőrendszerben. A fából, pl. tölgy, bükk, MDF stb. származó por rákkeltő. Az azbeszteszt tartalmazó anyaggal csak szakképzett kezelők dolgozhatnak, illetve csak ők dolgozhatják azt fel.

⚠ FIGYELEM

Olvassa el az összes biztonsági figyelmeztetést és utasítást. A figyelmeztetések és előírások be nem tartása elektromos áramütést, tüzet és/vagy súlyos sérülést eredményezhet.

Őrizze meg az összes figyelmeztetést és útmutatót a jövőbeni felhasználásra.

BIZTONSÁGI FIGYELMEZTETÉSEK AZ ÁLTALÁNOS MUNKAÁLLVÁNYHOZ

⚠ FIGYELEM

Olvassa el a munkaállvány és az arra felszerelendő elektromos kéziszerszám valamennyi biztonsági figyelmeztetését. A figyelmeztetések és előírások be nem tartása elektromos áramütést, tüzet és/vagy súlyos sérülést eredményezhet.

- A jövőbeni felhasználásra őrizze meg az összes figyelmeztetést és útmutatót.
- A figyelmeztetéseken a „nagy teljesítményű eszköz” a hálózatról működtetett (vezetékes) gépére vagy az akkumulátorral üzemelő (vezeték nélküli) gépére utal.
- Mielőtt beállítás végezne vagy tartozékot cserélne, húzza ki a csatlakozódugót a konnektorból és/vagy vegye ki a kéziszerszámból az akkumulátort. Számos baleset oka az elektromos kéziszerszám véletlen beindítása.
- Megfelelően szerelje össze a munkaállványt, mielőtt

felszerelné rá az elektromos kéziszerszámot. A helyes összeszerelés fontos tényező az összedőlés kockázatának megelőzése érdekében.

- **Használat előtt biztonságosan rögzítse az elektromos kéziszerszámot a munkaállványra.** Az elektromos kéziszerszám elmozdulása a munkaállványon az irányításának elvesztését okozhatja.
- **A munkaállványt szilárd, sík és vízszintes felületre helyezze.** Ha a munkaállvány el tud mozdulni vagy billeg, az elektromos kéziszerszámot vagy munkadarabot nem lehet egyenletesen és biztonságosan irányítani.
- **Ne terhelje túl a munkaállványt, ne használja létrának vagy állványzatnak.** A túlterhelés vagy ráállás következtében az állvány „fejnehéz” lesz és valószínűleg fel fog borulni.

SZALAGCSISZOLÓRA VONATKOZÓ BIZTONSÁGI FIGYELMEZTETÉSEK

- **Mindig viseljen védőszemüveget és pormaszkot.**
- **Hordjon a célnak megfelelő (gáz)álcot ha ólmot tartalmazó festékekkel fedett tárgyat, illetve ha bizonyos fa- vagy fémterméket csiszol.**
- **A termék nem használható nedves csiszolásra.**
- **Ne használjon a szükségesnél nagyobb csiszolószalagot.**

AZ AKKUMULÁTOR KIEGÉSZÍTŐ BIZTONSÁGI FIGYELMEZTETÉSEI

⚠ FIGYELEM

A rövidzárlat általi tűz, sérülések vagy termékkárosodások veszélye elkerülésére ne merítse a szerszámot, a cserélhető akkut vagy a töltőkészüléket folyadékokba, és gondoskodjon arról, hogy ne hatoljanak folyadékok a készülékekbe és az akkuba. A korrozív hatású vagy vezetőképes folyadékok, mint pl. a sós víz, bizonyos vegyi anyagok, fehérítők vagy fehérítő tartalmú termékek, rövidzárlatot okozhatnak.

LÍTIUM AKKUMULÁTOROK SZÁLLÍTÁSA

Az akkumulátorokat a helyi és nemzeti előírásokkal és szabályokkal összhangban szállítsa.

Az elemek külső fél általi szállításakor kövesse a csomagolásra és a címkézésre vonatkozó speciális előírásokat. Ügyeljen arra, hogy az akkumulátorok ne érhessenek más akkumulátorokhoz vagy vezető anyagokhoz szállítás közben; ehhez a szabadon maradt csatlakozókat védje szigetelő fedéllel vagy szalaggal. Ne szállítson repedt vagy szivárgó akkumulátorokat. További információért vegye fel a kapcsolatot a továbbítást végző céggel.



VISSZAMARADÓ KOCKÁZATOK

Még a termék rendeltetésszerű használata esetén sem lehet teljesen kiküszöbölni minden kockázati tényezőt. A gép használata során a következő veszélyek merülhetnek fel, és a kezelőnek különösen oda kell figyelnie az alábbiak elkerülésére:

- Beszorulás vagy a mozgó szalaggal való érintkezés
További elővigyázatosságra van szükség, különösen megfordított módon való használatkor, nehogy a kezelő ujjja vagy keze a csiszolászalaggal érintkezzen vagy beszoruljon a görgők közé.
- Porral való érintkezés vagy annak belélegzése
A termék használata során jelentős mennyiségű por és finom részecske keletkezik. Használja a porgyűjtő berendezést vagy csatlakoztasson egy porszívó berendezést a termék használatához. Viseljen légzésvédő maszkot, ami a megmunkálandó anyagoknak megfelelő szűrőket tartalmaz Biztosítson megfelelő szellőztetést. Ne egyen, igyon vagy dohányozzon a munkaterületen.
- Robbanásveszély
A felgyülemltet finom por begyulladhat és tüzet okozhat. Tartsa tisztán és pormentesen a munkaterületet. A porgyűjtő és elszívőrendszereket rendszeresen és alaposan ki kell tisztítani. Fém csiszolásakor forró szikrák keletkezhetnek.
- zaj és vibráció
A termék használatakor mindig viseljen fülvédőt. Ne használja hosszabb ideig a terméket.

KOCKÁZATCSÖKKENTÉS

Ismert, hogy a kézi szerszámgépek használata során fellépő vibráció bizonyos személyeknél hozzájárulhat az úgynevezett Raynaud-szindróma (Raynaud's Syndrome) nevű állapot kialakulásához. A tünetei lehetnek: az ujjak zsibbadása, elfehéredése, szúrások érzése, amelyek hidegnek kitéve gyakran felerősödnek. Az öröklődő tényezők, a hidegnek kitettség és verejtékezés, a diéta, a dohányzás és munka közben alkalmazott fogások valószínűleg mind hozzájárulhatnak ezen tünetek megjelenéséhez. A vibráció hatásainak csökkentése érdekében a kezelőnek be kell tartani az alábbi óvintézkedéseket:

- Hideg időben tartsa melegen a testét. A gép használatakor viseljen kesztyűt a kéz és a csukló melegen tartásához. Arról számoltak be, hogy a hideg időjárásnak fontos szerepe van a Raynaud-szindróma kialakulásában.
- Bizonyos időtartamú használat után mindig végezzen gyakorlatokat a vérkeringés javításához.
- Gyakran tartson munkaszünetet. Korlátozza a napi munkaidőt.

Ha ezen állapot bármelyik tünetét tapasztalja, azonnal hagyja abba a munkát, és tájékoztassa az orvosát a tünetekről.

HASZNÁLAT

- Ne működtesse a terméket megfelelően felszerelt és szabályosan mozgó szalag nélkül. A szabálytalanul mozgó szalag lejöhet a termékről és személyi sérülést vagy a csiszoló károsodását okozhatja.
- Szorítóval vagy satuval rögzítse a munkadarabot egy megfelelő munkapadhoz. Ezzel meggátolhatja, hogy a munkadarab kivetődjön vagy elmozduljon.
- A mellékelt fogantyúkkal mindkét kezével fogja meg és irányítsa a terméket.
- Ne erőltesse a terméket. A feladathoz a megfelelő terméket használja. A megfelelő termék jobb teljesítménnyel és biztonságosabban fog dolgozni olyan fordulatszámra, amilyenekre azt tervezték.
- Ne fejtse ki túlzott nyomást a termékre. Hagyja, hogy a termék súlyával kifejtse a megfelelő nyomást, és a kezelő irányítsa a csiszolót. A túlzott nyomás túlterheli a terméket és károsítja a motort. A nagyobb nyomással nem távolítható el több anyag, ehelyett csökken a csiszolás hatékonysága.
- Gyakran cserélje a csiszolászalagot, hogy a termék anyageltávolítása mindig hatékony legyen.
- A kioldókapcsolóval indítsa el a terméket, és várja meg, hogy a szalag elérje a szükséges sebességet. Ezután engedje rá a szalagot a munkadarabra. Fogja stabilan a terméket mindkét kezével, mivel a szalag mozgása előre felé fogja hajtani azt.
- Válasszon a feladatnak megfelelő méretű és érdességű szalagot. Használjon kisebb finomságú (grit számú) szalagot, ha több anyagot kell eltávolítani; a nagyobb grit szám kevesebb anyag eltávolítására és finomabb felület előállítására való. Cserélje ki a szalagot, ha az károsodott, tele van hulladékkal vagy elhasználódott.
- A terméket a megmunkálás során az anyag szálai mentén javasolt mozgatni előre-hátra. A szálakra merőlegesen való csiszolás szintén működik, de összekarcolt és károsodott felületet eredményez.

FIGYELEM

Bizonyos festékekből, bevonatokból és anyagokból a por irritációt vagy allergiás reakciót válthat ki a légzőrendszerben. A fából, pl. tölgy, bükk, MDF stb. származó por rákkeltő. Az azbesztet tartalmazó anyaggal csak szakképzett kezelők dolgozhatnak, illetve csak ők dolgozhatják azt fel.

- Használja a porgyűjtőt vagy csatlakoztassa a porgyűjtő nyílást egy porszívóhoz a porszemekkel kapcsolatos veszélyek csökkentéséhez.
- A munkaterületen és annak közelében minden személynek megfelelő védelmet nyújtó porvédő maszkot kell viselnie.
- Viseljen mindig biztonsági szemüveget vagy oldallappal ellátott védőszemüveget, amikor valamilyen szerszámot használ.



FIGYELEM

A gép hosszabb idejű folyamatos használata sérüléseket okozhat vagy súlyosbíthatja a tüneteket. Ha a gépet hosszú időn át kell használnia, tartson gyakran szünetet.

ISMERJE MEG A TERMÉKET

107. oldal.

1. Első fogantyú
2. Rögzítógomb
3. Fő markolat
4. Porelszívó csonc
5. Akkumulátornyalás
6. Csiszolószij állítógomb
7. Kioldókapcsoló
8. Csiszolószij kioldókar
9. Első fogantyú állítógomb
10. Vákuumadapter
11. Porzsák
12. Csiszolászalag (60 as szemcséjű)
13. Csiszolászalag (100 as szemcséjű)
14. Csiszolászalag (120 as szemcséjű)

KARBANTARTÁS

FIGYELEM

Alkatrészek szerelésekor, tisztításkor, karbantartás végzésekor, illetve használaton kívül mindig húzza ki a gépet az elektromos hálózathoz. A termék hálózathoz történő leválasztása megakadályozza a véletlen bekapcsolódást, ami súlyos sérülést okozhat.

FIGYELEM

Szervizeléskor csak azonos Ryobi cserealkatrészeket használjon. Bármilyen más alkatrész használata veszélyes és a termék károsodását okozhatja.

FIGYELEM

Tisztítás előtt mindig távolítsa el a csiszolászalagot a termékről. Ezen előírás be nem tartása súlyos testi sérüléssel járó balesetet okozhat.

A műanyag részek tisztításakor tartózkodjon a tisztítószerek használatától. A kereskedelmi forgalomban kapható oldószerek rongáló hatással vannak a műanyagból készült elemek többségére. A por és egyéb szennyeződések stb. tisztítására használjon egy tiszta ruhadarabot.

FIGYELEM

A műanyag részek semmilyen körülmények között nem érintkezhetnek fékolajjal, benzinnel, petróleum alapú termékekkel, beszívódó olajokkal stb. Ezen anyagok olyan vegyületeket tartalmaznak, amelyek károsíthatják, meggyengíthetik vagy tönkretelthetik a műanyagot.

Azok az elektromos szerszámok, amelyeket üvegszálás munkadarabokon, gipszkartonon lapokon ill. burkolólapokon használnak, jobban ki vannak téve a gyors elhasználódásnak és az idő előtti meghibásodásoknak, mert az ilyen anyagokból származó forgács és por rendkívül súroló hatású az elektromos szerszámok alkatrészeire (fogaskerekek, szénkefék, kapcsolók stb.). Nem javasoljuk a termék ezen típusú anyagokon való hosszabb idejű használatát.

Minden használat után vegye le a szalagot és a porgyűjtőt, ha fel volt szerelve. A kézikönyvben található utasításokat követve tisztítsa meg porgyűjtőt. Egy kefével, száraz törleruhával és porszívóval alaposan tisztítsa meg a terméket.

FIGYELEM

A súlyos szemkárosodás megelőzése érdekében ne használjon sűrített levegőt a pornak a termékről való eltávolításához.

A nagyobb biztonság és megbízhatóság érdekében minden javítást hivatalos Ryobi szervizközpontban kell elvégeztetni.

A szerszámban lévő összes csapágy a gép teljes élettartamára elegendő kenőanyaggal van feltöltve, normál körülmények közötti használat esetén. Ebből kifolyólag nincs szükség arra, hogy a gép belső részeit kenje.

KÖRNYEZETVÉDELEM



Segítse elő az alpanyagok újrahasznosítását azzal, hogy nem helyezi el őket a háztartási szemétkorba. Környezetvédelmi megfontolásból az elhasznált gépet és tartozékokat, valamint a csomagolóanyagokat szelektív módon kell gyűjteni.

SZIMBÓLUM



Biztonsági figyelmeztetés

V Volt

n_o

Üresjárat fordulatszám

min⁻¹ Fordulatok ill. löketek száma percenként



Egyenáram



CE megfelelés



Eurázsiai megfelelőségi jelzés



Ukrainai megfelelőségi nyilatkozat



A gép bekapcsolása előtt figyelmesen olvassa el az útmutatót.



Viseljen fülvédőt



Viseljen szemvédőt



A kiselejtezett elektromos termékeket nem szabad a háztartási hulladékkal együtt kidobni. Ezeket újra kell hasznosítani, ha van rá lehetőség. Az újrahasznosítással kapcsolatban érdeklődjön a helyi önkormányzatnál vagy a termék forgalmazójánál.

A KÉZIKÖNYVBEN HASZNÁLT SZIMBÓLUMOK



Megjegyzés



Külön értékesített alkatrészek és kiegészítők



Szétnyitás



Retesz

A következő jelölőszavak és jelentések arra szolgálnak, hogy megmagyarázzák a termékkel kapcsolatos veszélyességi szinteket.

VESZÉLY

Egy bekövetkező veszélyes helyzetet jelez, ami, ha nem előzik meg, halált vagy komoly sérülést eredményez.

FIGYELEM

Egy potenciálisan bekövetkező veszélyes helyzetet jelez, ami, ha nem előzik meg, halált vagy súlyos sérülést eredményezhet.

VIGYÁZAT

Egy potenciálisan veszélyes helyzetet jelez, ami, ha nem előzik meg, kisebb vagy mérsékelt súlyos sérülést eredményezhet.

VIGYÁZAT

(Biztonsági figyelmeztető szimbólum nélkül) Egy olyan helyzetet jelez, ami anyagi kárt eredményezhet.

Au fost acordate priorități maxime asupra siguranței, performanței și fiabilității în proiectarea șlefuitorului dvs. cu bandă.

DOMENIU DE APLICAȚII

Această mașină de șlefuit cu bandă este destinată pentru șlefuirea metalului, lemnului, plasticului sau materialelor similare. Poate de asemenea îndepărta vopseala, lacul și coroziunea de pe suprafețe.

Este destinată a fi folosită de către operatori care au citit manualul de instrucțiuni și au înțeles riscurile și pericolele. Produsul trebuie folosit doar în zone bine aerisite.

Produsul este proiectat doar pentru șlefuire uscată. Nu folosiți produsul pentru șlefuire umedă.

Mașina de șlefuit cu bandă este destinată a fi folosită doar pentru uz domestic. Nu folosiți produsul în niciun alt fel decât cel menționat pentru folosirea lui destinată.

⚠️ AVERTISMENT

Praful de la anumite vopsele, tencuieli și materiale pot cauza iritații sau reacții alergice ale sistemului respirator. Praful de la lemn precum stejarul, fagul, PAL-ul și altele sunt cancerigene. Materialul conținând azbest trebuie să fie prelucrat sau procesat doar de către operatori specialiști calificați.

⚠️ AVERTISMENT

Citiți toate avertismentele și instrucțiunile de siguranță. Neurmarea avertizării și instrucțiunilor ar putea cauza electrocutare, incendiu și/sau vătămare gravă.

Salvați toate avertizările și instrucțiunile pentru referință ulterioară.

AVERTISMENTE GENERALE DE SIGURANȚĂ PENTRU STATIVUL DE LUCRU

⚠️ AVERTISMENT

Citiți toate avertismentele și instrucțiunile de siguranță furnizate împreună cu stativul de lucru și unealta pe care o veți monta pe acesta. Neurmarea avertizării și instrucțiunilor ar putea cauza electrocutare, incendiu și/sau vătămare gravă.

- **Salvați toate avertizările și instrucțiunile pentru o consultare ulterioară.**
- Termenul „unealtă electrică” din avertizări se referă la unealta dvs. electrică alimentată la curent (cu fir) sau la baterie (fără fir).
- **Înainte de a realiza reglaje sau de a schimba accesoriile uneltei, deconectați ștecherul de la rețea și/sau acumulatorul de la unealtă.** Pornirea accidentală a uneltelor reprezintă cauza multor accidente.

- **Asamblați corect stativul de lucru înainte de a monta unealta.** Asamblarea corectă este esențială pentru prevenirea destabilizării ansamblului în timpul lucrului.
- **Fixați ferm unealta pe stativ înainte de utilizare.** Deplasarea uneltei pe stativul de lucru poate cauza pierderea controlului.
- **Plasați stativul de lucru pe o suprafață solidă, plată și perfect orizontală.** Dacă stativul se poate mișca sau balansa, unealta și/sau piesa de prelucrat nu vor putea fi menținute în poziții fixe și riscați să pierdeți controlul asupra operației efectuate.
- **Nu supraîncărcați stativul și nu încercați să îl utilizați ca scară sau schelă.** Supraîncărcarea sau urcarea pe stativ va ridica centrul de greutate al ansamblului și în consecință, va fi posibilă răsturnarea acestuia.

AVERTIZĂRI DE SIGURANȚĂ ALE MAȘINII DE ȘLEFUIT CU BANDĂ

- **Purtați întotdeauna ochelari de protecție și o mască împotriva prafului.**
- **Trebuie să folosiți o mască de respirat adecvată când șlefuiți suprafețe acoperite cu vopsea pe bază de plumb și de asemenea pentru anumite tipuri de lemn sau de metal pentru a evita să inhalați praf sau vapori toxici.**
- **Produsul nu este destinat pentru șlefuire umedă.**
- **Nu folosiți o bandă de șlefuire mai mare decât este necesar.**

AVERTISMENTE SUPLIMENTARE PRIVIND SIGURANȚA LA UTILIZAREA BATERIILOR

⚠️ AVERTISMENT

Pentru a reduce pericolul unui incendiu și evitarea rănilor sau deteriorarea produsului în urma unui scurtcircuit nu imersați sula, acumulatorul de schimb sau încărcătorul în lichide și asigurați-vă să nu pătrundă lichide în aparate și acumulatori. Lichidele corosive sau cu conductibilitate, precum apa sărată, anumite substanțe chimice și înalbitori sau produse ce conțin înalbitori, pot provoca un scurtcircuit.

TRANSPORTAREA ACUMULATORILOR PE LITIU

Transportați bateria în conformitate cu prevederile și reglementările locale și naționale.

Urmați toate cerințele speciale de pe ambalaj și etichete atunci când transportați acumulatorii la o parte terță. Asigurați-vă că în timpul transportului nicio baterie nu vine în contact cu alte baterii sau materiale conducătoare de electricitate prin protejarea bornelor expuse cu bandă sau capace izolatoare non conducătoare de electricitate. Nu transportați acumulatori ce sunt crăpați sau au scurgeri. Verificați cu compania de transport pentru sfaturi ulterioare.



RISCURI REZIDUALE

Chiar dacă produsul este folosit așa cum este descris, este totuși imposibil să se elimine complet anumiți factori de risc reziduali. Următoarele pericole ar putea apărea în timpul folosirii iar operatorul trebuie să acorde o atenție specială pentru a evita următoarele:

- Prinderea în sau contactul cu banda în mișcare
O atenție suplimentară trebuie acordată, în special în timpul operării răsturnate, pentru a preveni ca degetele și mâinile operatorului să vină în contact cu banda abrazivă sau să fie prinse între role.
- Contact cu sau inhalare de praf
În timpul folosirii produsului, vor fi produse cantități considerabile de praf și particule fine. Folosiți dispozitivul de colectare al prafului sau conectați aspiratorul de extragere al prafului atunci când operați produsul. Purtați mască de protecție a respirației conținând filtre corespunzătoare cu materialele ce vin prelucrate. Asigurați aerisire adecvată la locul de muncă. Nu mâncați, beți sau fumați în zona de lucru.
- Risc de explozie
Praful fin acumulat se poate aprinde și cauza incendiu. Păstrați zona de lucru curată și fără praf. Sistemele de colectare și cele de aspirare a prafului trebuie să fie curățate regulat și complet. Atunci când șlefuiți metal, pot fi produse scântei fierbinți.
- zgomot și vibrații
Purtați protecție pentru auz când operați produsul. Nu operați produsul pentru perioade lungi de timp.

REDUCEREA RISCULUI

S-a reținut că vibrațiile de la sculele de mână pot contribui la starea numită Sindromul lui Raynaud, la anumite persoane. Simptomele pot include furnicături, amorțeală și albirea degetelor, care apare, de obicei, după expunerea la frig. Factori ereditari, expunerea la frig și umiditate, dieta, fumatul și practicile de muncă contribuie la dezvoltarea acestor simptome. Există măsurător care pot fi efectuate de către operator pentru a reduce efectele de vibrațiilor:

- Păstrați-vă temperatura corporală ridicată pe vreme rece. Când operați unitatea purtați mănuși pentru a vă menține mâinile și încheieturile la căldură. S-a constatat că vremea rece este un factor major care contribuie la sindromul Raynaud.
- După fiecare perioadă de operare, trebuie făcute exerciții pentru a crește circulația sângelui.
- Trebuie făcute pauze la intervale de timp regulate. Limitați expunerea zilnică.

Dacă sunt experimentate oricare dintre simptomele acestei afecțiuni, trebuie întreruptă utilizarea și consultat un medic.

OPERAREA

- Nu operați produsul fără banda corespunzător potrivit și întinsă. O bandă incorect întinsă poate să se desprindă de pe produs și să cauzeze vătămare

personală sau deteriorarea mașinii de șlefuit.

- Fixați piesa de lucru în menghină sau cu cleme pe bancul de lucru corespunzător. Acest lucru previne ca piesa de lucru să devină un obiect aruncat.
- Folosiți mânerul furnizate pentru a ține și controla produsul cu ambele mâini.
- Nu forțați produsul. Folosiți produsul corect pentru aplicația dvs. Produsul corect va îndeplini sarcina mai bine și mai în siguranță la un ritm pentru care a fost proiectat.
- Nu aplicați o presiune excesivă asupra produsului. Lăsați ca greutatea produsului să aplice presiunea corectă și folosiți mâinile pentru a ghida mașina de șlefuit. Presiunea excesivă va suprasolicita produsul și va deteriora motorul. Aplicarea unei presiuni mai mari nu va îndepărta mai mult material ci va reduce eficiența șlefuirii.
- Schimbați des banda de șlefuire pentru a menține capacitatea produsului pentru a îndepărta eficient materialul.
- Porniți produsul folosind întrerupătorul trăgaci și lăsați banda să obțină viteza corectă. Apoi coborâți banda pe piesa de lucru. Țineți produsul fix cu ambele mâini întrucât mișcarea benzii va acționa produsul înspre înainte.
- Alegeți o bandă cu dimensiune corectă și abrazivitate corespunzătoare pentru sarcină. Folosiți benzi cu o granulație mai rară pentru a îndepărta mai mult material, și o granulație mai ridicată pentru a îndepărta mai puțin material și a finisare mai fină. Înlocuiți banda dacă devine deteriorată, înfundată de resturi sau dacă este uzată.
- Este normal să șlefuiți și să mutați produsul înainte și înapoi de-a lungul fibrei materialului. Șlefuirea de-a latul fibrei va funcționa dar va rezulta într-o suprafață zgâriată și deteriorată.

⚠️ AVERTISMENT

Praful de la anumite vopsele, tencuieli și materiale pot cauza iritații sau reacții alergice ale sistemului respirator. Praful de la lemn precum stejarul, fagul, PAL-ul și altele sunt cancerigene. Materialul conținând azbest trebuie să fie prelucrat sau procesat doar ce către operatori specialiști calificați.

- Folosiți colectorul de praf sau conectați portul de praf la un dispozitiv de aspirare pentru a reduce riscurile asociate cu particulele de praf.
- Toate persoanele din zona de lucru sau din apropiere trebuie să poarte măști de praf, care să le ofere o protecție adecvată.
- Purtați întotdeauna ochelari de siguranță sau ochelari de protecție cu ecrane laterale atunci când utilizați mașini electrice.

EN
FR
DE
ES
NL
IT
PT
DA
SV
FI
NO
RU
PL
CS
HU
RO
LV
LT
ET
HR
SL
SK
BG
UK
TR
EL



⚠️ AVERTISMENT

Poti fi cauzate, sau agravate vătămări prin folosirea prelungită a sculei. Atunci când folosiți o sculă pentru perioade prelungite, asigurați-vă că luați pauze regulate.

CUNOAȘTEȚI-VĂ PRODUSUL.

Salt la pagina nr. 107.

1. Mâner frontal
2. Butonul de blocare
3. Mânerul principal
4. Cap de aspirare
5. Port acumulator
6. Buton rotativ de ajustare a benzii de șlefuire
7. Declanșator
8. Levier de eliberare a benzii de șlefuire
9. Buton de ajustare a mânerului frontal
10. Adaptor pentru aspirator
11. Sac pentru praf
12. Bandă de șlefuire (granulație 60)
13. Bandă de șlefuire (granulație 100)
14. Bandă de șlefuire (granulație 120)

ÎNȚREȚINEREA

⚠️ AVERTISMENT

Produsul nu trebuie niciodată conectat la o sursă de curent când asamblați părțile, curățați, efectuați întreținerea sau când produsul nu este în uz. Deconectarea produsului va preveni pornirea accidentală ce poate cauza vătămare gravă.

⚠️ AVERTISMENT

În timpul lucrărilor de service, utilizați doar piese de schimb identice Ryobi. Utilizarea altor piese poate crea situații periculoase sau poate conduce la deteriorarea produsului.

⚠️ AVERTISMENT

Scoateți întotdeauna banda de șlefuire de pe produs, înainte de curățare. Nerespectarea acestei măsuri poate provoca răni corporale grave.

Evitați utilizarea solvenților atunci când curățați piesele din plastic. Majoritatea materialelor plastice pot să fie deteriorate prin utilizarea unor solvenți vânduți în comerț. Utilizați o cârpă curată pentru a curăța murdăriile, praful etc.

⚠️ AVERTISMENT

Nu lăsați niciun moment ca lichidele de frână, produsele pe bază de petrol, uleiurile penetrante etc să intre în contact cu părțile din plastic. Aceste produse chimice conțin substanțe care pot afecta, slăbi sau distruge plasticul.

Aparatele electrice utilizate pentru fibra de sticlă, plăci de fibră, compuși de mastic sau ipsos sunt supuse uzurii accelerate și riscului de deteriorare prematură, deoarece așchiile și resturile provenind din prelucrarea fibrei de sticlă sunt foarte abrazive pentru rulmenți, bușe, comutatoare etc. Nu recomandăm folosirea produsului pentru perioade prelungite de timp pe aceste tipuri de materiale.

După fiecare folosire, îndepărtați banda și colectorul de praf dacă sunt conectate. Curățați colectorul de praf așa cum este arătat în ilustrațiile din acest manual. Curățați produsul în întregime cu o perie, o cârpă uscată și cu aspiratorul.

⚠️ AVERTISMENT

Nu folosiți aer comprimat pentru a sufla praful de pe produs pentru a preveni vătămarea gravă a ochilor.

Pentru o siguranță și fiabilitate sporită, toate reparațiile trebuie să fie efectuate la un centru service Ryobi autorizat.

Toate componentele acestei unelte sunt lubrificate cu o cantitate suficientă de lubrifiant de înaltă calitate ce vizează durata de viață a unității în condiții de operare obișnuite. În consecință, nici o ungere suplimentară nu este necesară.

PROTECȚIA MEDIULUI ÎNCONJURĂTOR



Reciclați materiile prime în loc să le aruncați la gunoi, împreună cu deșeurile menajere. Pentru a proteja mediul înconjurător, mașina, accesoriile acesteia și ambalajele trebuie triate.

SIMBOL



Avertizare de siguranță

V Volți




Viteză fără sarcină

min⁻¹ Număr de rotații sau de mișcări pe minut




Curent continuu


 Conform CE


 Marcaj de conformitate EurAsian

 Semn de conformitate ucrainean

 Vă rugăm citiți instrucțiunile cu atenție înainte de pornirea aparatului.

 Purtați echipamente de protecție a auzului


 Purtați echipamente de protecție a vederii

 Deșeurile produselor electrice nu trebuie să
înlăturate împreună cu deșeurile casnice. Vă
rugăm reciclați acolo unde există facilități.
Verificați la autoritatea dvs locală sau la
vânzător pentru sfaturi privind reciclarea.

EN
FR
DE
ES
IT
NL
PT
DA
SV
FI
NO
RU
PL
CS
HU
RO
LV
LT
ET
HR
SL
SK
BG
UK
TR
EL

SIMBOLURILE DIN MANUAL

 Notă

 Piese sau accesorii vândute separat

 Deblocare

 Piedică

Rmătoarele cuvinte simbol și înțelesul lor au intenția de a explica nivelele de risc asociate cu acest produs.

PERICOL

Indică o situație imediată de pericol, care dacă nu este evitată va rezulta în deces sau rănire gravă.

AVERTISMENT

Indică o situație potențială de pericol, care dacă nu este evitată poate rezulta în deces sau rănire gravă.

PRECAUȚIE

Indică o situație potențial periculoasă, care dacă nu este eviată, poate rezulta în vătămare minoră sau moderată.

PRECAUȚIE

(Fără simbol de alertă de siguranță) Indică o situație ce poate rezulta în distrugerea proprietății.



Drošība, sniegums un uzticamība ir augstākā prioritāte jūsu lentes slīpmašīna.

PAREDZĒTĀ LIETOŠANA

Šī lentes slīpmašīna ir paredzēta metāla, koka, plastmasas un līdzīgu materiālu slīpēšanai. Ar to var arī noņemt no virsmām krāsu, laku un koroziju.

To drīkst lietot operatori, kas ir izlasījuši rokasgrāmatu un izprot riskus un draudus. Preci jāizmanto tikai labi ventilētās vietās.

Prece ir paredzēta tikai sausai slīpēšanai. Neizmantojiet šo ierīci mitrajai slīpēšanai.

Lentes slīpmašīna ir paredzēta vienīgi sadzīves lietošanai. Neizmantojiet ierīci citiem mērķiem, bet tikai tam paredzētajiem.

▲ BRĪDINĀJUMS

Putekļi no dažādām krāsām, klājumiem un materiāliem var izraisīt kairinājumu vai alerģijas reakcijas elpošanas sistēmai. Putekļi no tādiem kokiem, kā ozols, dižskābardis, šķiedrkartons un citiem ir kancerogēni. Ar azbestu saturošu materiālu būtu jāstrādā tikai kvalificētiem speciālistiem.

▲ BRĪDINĀJUMS

Izlasiet visus drošības brīdinājumus un visas instrukcijas. Brīdinājumu un instrukciju neievērošana var izraisīt elektrošoku, aizdegšanos un/vai nopietnus ievainojumus.

Saglabājiet visus brīdinājumus un norādījumus vēlākai uzziņai.

VISPĀRĒJIE DARBA STĀTĪVA DROŠĪBAS BRĪDINĀJUMI

▲ BRĪDINĀJUMS

Izlasiet visus drošības brīdinājumus un visas norādes, kas tiek sniegtas kopā ar darba stātvīnu un uz tā uzstādāmo elektroinstrumentu. Brīdinājumu un instrukciju neievērošana var izraisīt elektrošoku, aizdegšanos un/vai nopietnus ievainojumus.

- Visus brīdinājumus un norādījumus saglabājiet turpmākām uzziņām.
- Apzīmējums "elektroinstrumenti" brīdinājumos attiecas uz jūsu elektroinstrumentu, kas tiek darbināts no elektrotīkla (ar vadu) vai ar akumulatora (bezvadu) palīdzību.
- Atvienojiet kontaktdakšu no sprieguma avota un/vai akumulatoru bloku no elektroinstrumenta, pirms veikt jebkādu regulēšanu vai darba piederumu maiņu. Nejausa elektroinstrumenta ieslēgšanās var izraisīt dažādus negadījumus.

- Pareizi salieciet darba stātvīnu, pirms veikt instrumenta uzstādīšanu. Pareiza salikšana ir būtiska, lai novērstu sagāšanās risku.
- Pirms lietošanas kārtīgi nostipriniet elektroinstrumentu uz darba stātvīna. Elektroinstrumenta kustība uz darba stātvīna var izraisīt kontroles zaudēšanu.
- Novietojiet stātvīnu uz stabilas, plakanas un līdznes virsmas. Ja darba stātvīns var pasvīties vai šūpoties, elektroinstrumentu vai apstrādājamo materiālu nevar stabilu un droši kontrolēt.
- Nepārslodojiet darba stātvīnu vai neizmantojiet to kā trepes vai sastātnes. Stātvīva pārslodšana vai stāvēšana uz tā rada tā smaguma centra pārvietošanos uz augšu, kas palielina tā apgāšanās iespēju.

LENTE SLĪPMAŠĪNAS DROŠĪBAS BRĪDINĀJUMI

- Vienmēr valkājiet aizsargbrilles un putekļu masku.
- Lai izvairītos no kaitīgu/toksisku putekļu vai gaisa ielēpošanas, svina krāsas, dažu kokmateriālu un metāla slīpēšanas laikā ir jāizmanto piemērots elpošanas respirators.
- Ierīce nav piemērota mitrai slīpēšanai.
- Neizmantojiet lielāku slīpēšanas jostu nekā nepieciešams.

PAPILDU AKUMULATORU BLOKA DROŠĪBAS BRĪDINĀJUMI

▲ BRĪDINĀJUMS

Lai novērstu īssavienojuma izraisītu aizdegšanās, savainojumu vai produkta bojājuma risku, neiegremdējiet instrumentu, maināmo akumulatoru vai uzlādes ierīci šķidrumos un rūpējieties par to, lai ierīcēs un akumulatoros neiekļūtu šķidrums. Koroziju izraisoši vai vadītspējīgi šķidrums, piemēram, sālsūdens, noteiktas ķīmikālijas, balinātāji vai produkti, kas satur balinātājus, var izraisīt īssavienojumu.

LITĪJA AKUMULATORU PĀRVADĀŠANA

Pārvadājiet akumulatoru saskaņā ar vietējiem un valsts nosacījumiem un noteikumiem.

Ja akumulatoru pārvadāšanu veic trešā puse, ievērojiet visas īpašās prasības par iepakojšanu un marķēšanu. Transportējot nodrošiniet, lai akumulatori nesaskaras ar citiem akumulatoriem vai vadošiem materiāliem, atsegtos savienotājus aizsargājot ar izolējošiem, nevadošiem vāciņiem vai lenti. Nepārvietojiet akumulatorus, kas ir iekļūti vai ar noplūdi. Konsultējieties ar pārsūtīšanas uzņēmumu.

PALIEKOŠIE RISKI

Pat tad, ja ierīce tiek lietota, kā aprakstīts, joprojām nav iespējams pilnībā novērst atsevišķus riska faktoros.





EN
FR
DE
ES
IT
NL
PT
DA
SV
FI
NO
RU
PL
CS
HU
RO
LV
LT
ET
HR
SL
SK
BG
UK
TR
EL

Lietošanas laikā var rasties šādas briesmas un strādniekam Īpaša uzmanība jāpievērš šim:

- Iespūšana vai saskare ar kustīgu lenti
Jāievēro īpaša piesardzība, it īpaši apvērstās darbības laikā, lai operators pirksti un rokas nenonāktu saskarē ar abrazīvo lenti un neiesprūstu starp rullīšiem.
- Saskaie ar putekļiem un to ieelpošana
Ierīces lietošanas laikā rodas ievērojami putekļi un smalkas daļiņas. Darbinot precī, izmantojiet putekļu savākšanas ierīces vai savienojiet ar rūpniecisko putekļu savācēju. Valkājiet elpošanas aizsargmaskas, kurām ir apstrādājamiem materiāliem atbilstoši filtri. Darba vietā nodrošiniet atbilstošu ventilāciju. Darba vietā neēdiet, nedzeriet un nesmēķējiet.
- Eksplozijas risks
Sakrājušies smalkie putekļi var aizdegties un izraisīt ugunsgrēku. Uzturiet darba vietu tīru un bez putekļiem. Putekļu savākšanas un vakuumeļstrācijas sistēmas regulāri un rūpīgi jātīra. Slīpējot metālu, var rasties karstas dzirksteles.
- troksnis un vibrācija
Darbinot ierīci, lietojiet acu aizsarglīdzekļus. Nedarbiniēt precī ilgstoši.

RISKA SAMAZINĀŠANA

Ir ziņots, ka rokās turamu preču vibrācijas dažām personām var veicināt „Reino sindromu”. Simptomi var ietvert pirkstu tīnkšķēšanu, nejutīgumu un nobālēšanu, parasti aukstā laikā. Tiek uzskatīts, ka tradicionālie faktori, aukstums un mitrums, uzturs, smēķēšana un darba prakse sekmē šo simptomu attīstību. Operators var veikt pasākumus, lai iespējami samazinātu vibrācijas efektu:

- Aukstā laikā ķermenim jābūt siltam. Darbinot ierīci, nēsājiet cimdus, lai rokas un plaukstas locītavas būtu siltas. Ir pētījumi, ka auksts laiks ir galvenais faktors, kas veicina Reino sindromu.
- Ik pēc laika apturiet darbu un veiciet vingrinājumus, kas uzlabo asins cirkulāciju.
- Strādājot jābūt biežiem pārtraukumiem. Ierobežojiet iedarbības ilgumu dienā.

Ja jūs izjūtat kādu no šiem simptomiem, nekavējoties apturiet ierīces lietošanu un sazinieties ar ārstu par šiem simptomiem.

EKSPLUATĀCIJA

- Nedarbiniēt ierīci bez pareizi uzstādītas lentes. Nepareizi uzstādīta lente var noslīdēt no ierīces un izraisīt miesas bojājumus vai sabojāt slīpmašīnu.
- Nostipriniet apstrādājamo materiālu ar skrūvspīlēm vai skavām pie piemērota darba galda. Tādējādi jūs izvairīsieties no apstrādājamā materiāla lidošanas.
- Izmantojiet iekļautos rokturus, lai noturētu un kontrolētu ierīci ar abām rokām.
- Nespiediet izstrādājumu. Izmantojiet attiecīgajam darbam piemērotu ierīci. Piemērota ierīce darbu

paveiks labāk un drošāk, un tā, kā tā ir paredzēta.

- Neizmantojiet pārmērīgu spiedienu uz ierīci. Ļaujiet ierīces svaram radīt pareizo spiedienu un ar roku palīdzību vadiet slīpmašīnu. Pārmērīgs spiediens pārslogos ierīci un sabojās motoru. Izdarot lielāku spiedienu, netiks noslīpēts vairāk no materiāla virsmas, bet tā vietā samazināsies slīpēšanas efektivitāte.
- Mainiet slīpēšanas lenti bieži, lai ierīce varētu efektīvi noslīpēt materiālu.
- Iedarbiniēt ierīci, izmantojot slēdzi, un ļaujiet lentei sasniegt pareizo ātrumu. Pēc tam nolaidiet lenti līdz apstrādājamam materiālam. Turiet ierīci stingri ar abām rokām, jo lentes kustība pavirzīs ierīci uz priekšu.
- Izvēlieties pareizā izmēra lenti un attiecīgajam darbam piemērotu raupjumu. Izmantojiet lentes ar mazāku raupjuma skaitli, lai noslīpētu vairāk materiāla, bet lielāku raupjuma skaitli, lai noslīpētu mazāk materiāla un smalkākai apdarei. Nomainiet lenti, ja tā ir bojāta, pilna ar putekļiem vai nodulusi.
- Jūs varat slīpēt un virzīt ierīci uz priekšu un atpakaļ pa materiāla šķiedru. Slīpējot pāri šķiedrai, jūs saskrāpēsiet un sabojāsiet virsmu.

▲ BRĪDINĀJUMS

Putekļi no dažādām krāsām, klājumiem un materiāliem var izraisīt kairinājumu vai alerģijas reakcijas elpošanas sistēmai. Putekļi no tādiem kokiem, kā ozols, dižskābardis, šķiedrkartons un citiem ir kancerogēni. Ar azbestu saturošu materiālu būtu jāstrādā tikai kvalificētiem speciālistiem.

- Izmantojiet putekļu savācēju vai pievienojiet putekļu sūcēju pie putekļu atveres, lai samazinātu ar putekļu daļiņām saistītus riskus.
- Visām personām darba zonā vai tās tuvumā ir jāvalkā putekļu maskas, kas nodrošina atbilstošu aizsardzību.
- Strādājot ar produktiem, vienmēr valkājiet drošības brilles vai aizsargbrilles ar sānu aizsargiem.

▲ BRĪDINĀJUMS

Ilgstoša instrumenta lietošana var izraisīt traumas vai pasliktināt veselības stāvokli. Ilgstoši lietojot jebkuru instrumentu, pārliecinieties, ka tiek veikti regulāri pārtraukumi.

IERĪCES IEPAZĪŠANA

Skatīt 107. lpp.

1. Priekšējais rokturis
2. Poga ieslēgta stāvokļa fiksēšanai
3. Galvenais rokturis
4. Putekļu nopūtējs
5. Akumulatora savienojuma ligzda
6. Smilšpapīra lentes regulēšanas poga
7. Palaides slēdzis
8. Smilšpapīra lentes atbrīvošanas svira



9. Priekšējā roktura regulēšanas skrūve
10. Nosūkšanas caurules adapteris
11. Putekļu soma
12. Slīplente (60 graudu)
13. Slīplente (100 graudu)
14. Slīplente (120 graudu)

APKOPE

⚠ BRĪDINĀJUMS

Ierīci nekādā gadījumā nedrīkst pievienot elektropadevei, montējot detaļas, tīrot, veicot apkopi un ja ierīce netiek lietota. Atvienojot produktu, tiek novērsta nejauša ieslēgšanās, kas var izraisīt nopietnu traumu.

⚠ BRĪDINĀJUMS

Veicot apkopi, izmantojiet tikai oriģinālās Ryobi rezerves daļas. Jebkādi citu detaļu izmantošana var izraisīt bīstamību vai produkta bojājumus.

⚠ BRĪDINĀJUMS

Pirms tīrīšanas vienmēr noņemiet no produkta smilšpapīra lentu. Neievērošana var radīt nopietnus miesas bojājumus.

Tīrot plastmasas daļas, izvairieties no šķīdinātāju lietošanas. Vairums plastmasu ir jutīgas pret dažāda veida pārdošanā esošajiem šķīdinātājiem un to izmantošanas rezultātā var tikt bojātas. Izmantojiet tīru drāni, lai notīrītu netīrumus, oglekļa putekļus utt.

⚠ BRĪDINĀJUMS

Nekādā gadījumā plastmasas daļām neļaujiet nonākt saskarē ar bremžu šķidrums, benzīnu, naftas izstrādājumiem, eļļām ar paaugstinātu mitrināšanas spēju utt. Ķīmikālijas var sabojāt, novājināt vai iznīcināt plastmasas detaļas.

Elektroinstrumenti, kurus izmanto stikla šķiedras materiāla, ģipša plāksnes, plastikāta savienojumu vai apmetuma apstrādei, ātrāk nodilst un var priekšlaicīgi nolietoties, ja stikla šķiedras šķembas un putekļi ļoti abrazīvi iedarbojas, piemēram, uz gultņiem, sukām un komutatoriem. Nav ieteicams lietot ierīci ilgstoši, griežot šāda veida materiālus.

Pēc katras lietošanas reizes noņemiet lenti un putekļu savācēju, ja tas ir uzlikt. Izīrīet putekļu savācēju, kā parādīts rokasgrāmatas ilustrācijās. Rūpīgi notīriet ierīci ar suku, sausu drāniņu un putekļu sūcēju.

⚠ BRĪDINĀJUMS

Neizmantojiet spiestu gaisu putekļu nopūšanai no ierīces, lai nepieļautu nopietnas acu traumas.

Lielākai drošībai un uzticamībai, visus remontdarbus jāveic Ryobi pilnvarotam servisa centram.

Visi gultņi šajā instrumentā tiek eļļoti ar pietiekamu daudzumu augstas kvalitātes smērvielas, lai ierīce normālas lietošanas režīmā kalpotu visu darbību. Tāpēc papildu eļļošana nav nepieciešama.

VIDES AIZSARDZĪBA



Tā vietā, lai izejmateriālus izmestu atkritumos, nododiet tos otrreizējai pārstrādei. Mašīna, aksesuāri un iepakojums ir jāsašķiro un jānodod videi draudzīgā atkārtotas pārstrādes vietā.

SIMBOLS



Drošības brīdinājums



Volti



Tukšgaitas ātrums



Apgriezieni minūtē



Līdzstrāva



CE atbilstība



EurAsian atbilstības marķējums



Ukrainas apstiprinājuma zīme



Pirms iedarbināt mašīnu, lūdzu rūpīgi izlasiet instrukcijas.



Lietojiet dzirdes aizsargus



Valkājiet acu aizsarglīdzekļus



Izlietotie elektroprodukti nedrīkst tikt izmesti kopā ar majsaimniecības atkritumiem. Lūdzu, nododiet tos attiecīgajās atkārtotās pārstrādes vietās. Sazinieties ar savu vietējo varas pārstāvi vai izplatītāju, lai noskaidrotu, kur iespējama atkārtota pārstrāde.

SIMBOLI ROKASGRĀMATĀ



Piezīme



Atsevišķi nopērkamās daļas vai piederumi



Atbloķēt



Bloķētājs

Lai izskaidrotu risku, kas saistīti ar izstrādājumu, līmeni, paredzēti šādi norādījuma vārdi un jēdzieni.

BĪSTAMI

Norāda uz nenovēršami bīstamu situāciju, kas, ja netiks novērsta, izraisīs nāvi vai nopietnus miesas bojājumus.

BRĪDINĀJUMS

Norāda uz potenciāli bīstamu situāciju, kas, ja netiks novērsta, var izraisīt nāvi vai nopietnus miesas bojājumus.

UZMANĪBU

Norāda uz potenciāli bīstamu situāciju, kas, ja netiek novērsta, var izraisīt vieglus vai vidējus miesas bojājumus.

UZMANĪBU

(Bez drošības trauksmes simbola), kas norāda, uz situāciju, kas var novest pie īpašuma bojājuma.

EN
FR
DE
ES
IT
NL
PT
DA
SV
FI
NO
RU
PL
CS
HU
RO
LV
LT
ET
HR
SL
SK
BG
UK
TR
EL

Projektuojant diržinį šlifuklį, didžiausias prioritetas suteiktas saugai, eksploatacinėms savybėms ir patikimumui.

NAUDOJIMO PASKIRTIS

Šis juostinis šlifuklis skirtas šlifuoti metalą, medieną, plastiką ar panašias medžiagas. Juo taip pat galima nuo paviršių pašalinti dažus, laką ir rūdį.

Jį gali naudoti asmenys, perskaitę instrukcijų vadovą ir suvokiantys rizikos bei pavojų veiksnius. Gaminį galima naudoti tik gerai vėdinamose vietose.

Gaminys skirtas šlifavimui sausuoju būdu. Gaminio negalima naudoti šlifavimui šlapiuoju būdu.

Juostinis šlifuklis yra nepramoninis, plataus vartojimo įrenginys. Gaminį galima naudoti tik pagal paskirtį.

⚠ ĮSPĖJIMAS

Tam tikrų dažų, gruntų ir medžiagų dulksės gali dirginti ar sukelti alergines kvėpavimo sistemos reakcijas. Ažuolo, beržo, medienos plaušų plokščių ir kitos dulksės kancerogeninės. Medžiagas, kurių sudėtyje yra asbesto, gali pjauti ar apdirbti tik kvalifikuoti specialistai.

⚠ ĮSPĖJIMAS

Perskaitykite visus saugos įspėjimus ir visą instrukciją. Įspėjimų ir instrukcijų nesilaikymas gali sukelti elektros smūgį, gaisrą ir (ar) sunkius sužeidimus.

Išsaugokite visus įspėjimus ir instrukcijas, kad galėtumėte pasinaudoti ateityje.

DARBINIO STOVO BENDRO POBŪDŽIO SAUGOS ĮSPĖJIMAI

⚠ ĮSPĖJIMAS

Perskaitykite visus saugos įspėjimus ir visas su darbinio stovu ir ant jo montuojamu įrankiu pateikiamas instrukcijas. Įspėjimų ir instrukcijų nesilaikymas gali sukelti elektros smūgį, gaisrą ir (ar) sunkius sužeidimus.

- Kad tinkamai naudotumėte įrankį, žr. visus perspėjimus ir nurodymus.
- Įspėjimuose naudojama sąvoka „elektrinis įrankis“ reiškia prie elektros tinklo jungiamą (laidinį) elektrinį įrankį arba akumuliatoriumi maitinamą (belaidį) elektrinį įrankį.
- Ištraukite kištuką iš energijos šaltinio ir (arba) iš variklinio įrankio akumuliatorių ir tik po to atlikite reguliavimus arba keiskite priedus. Kai kurie nelaimingi atsitikimai kilo dėl to, kad varikliniai įrenginiai būdavo netyčia įjungiami.
- Prieš montuodami įrankį tinkamai surinkite darbinį stovą. Tinkamas surinkimas yra svarbu, kad stovas

nenuvirstų.

- Prieš naudodami patikimai pritvirtinkite variklinį įrankį prie darbinio stovo. Jei variklinis įrankis ant stovo pasislinks, galima prarasti įrankio kontrolę.
- Darbinį stovą pastatykite ant tvirto, plokščio ir lygaus paviršiaus. Jei darbinis stovas gali palinkti arba pasvirti, variklinio įrankio ar ruošinio negalima stabiliai ir saugiai valdyti.
- Neperkraukite darbinio stovo ir nenaudokite jo kaip kopėčių ar pastolių. Jei darbinis stovas patiria perkrovą arba jei ant jo stovima, svorio centras gali pasislinkti į viršų ir jis gali apvirsti

JUOSTINIO ŠLIFUOKLIO SAUGOS ĮSPĖJIMAI

- Būtina dėvėti apsauginius akinius ir dulkių kaukę.
- Šlifudami švino dažus, tam tikras medienos rūšis ir metalą dėvėkite respiratorių, kad neįkvėptumėte nuodingų / žalingų dulkių arba oro.
- Gaminio negalima naudoti šlifavimui šlapiuoju būdu.
- Nenaudokite didesnės šlifavimo juostos nei reikia.

PAPILDOMI AKUMULIATORIAUS SAUGOS ĮSPĖJIMAI

⚠ ĮSPĖJIMAS

Siekdami išvengti trumpojo jungimo sukeliama gaisro pavojaus, sužalojimų arba produkto pažeidimų, neikiškite įrankio, keičiamo akumuliatoriaus arba įkroviklio į skysčius ir pasirūpinkite, kad į prietaisus arba akumuliatorių nepatektų jokių skysčių. Koroziją sukeliantys arba laidūs skysčiai, pvz., sūrus vanduo, tam tikri chemikalai ir balikliai arba produktai, kurių sudėtyje yra baliklių, gali sukelti trumpąjį jungimą.

LIČIO BATERIJŲ GABENIMAS

Gabenkite bateriją pagal įmonės ir valstybinius reikalavimus ir taisykles.

Gabendama baterijas, trečioji šalis privalo vadovautis ant pakuotės ar etikečių nurodytais specialiaisiais reikalavimais. Pasirūpinkite, kad gabenant baterijos nesusilieštų su kitomis baterijomis ar laidžiomis medžiagomis: ant jungiamųjų elementų uždėkite izoliuojančius, nelaidžius apsauginius dangtelius arba šiuos elementus apvyniokite juosta. Negabenkite įtrūkusių ar pratekančių baterijų. Išsamesnio patarimo kreipkitės į gabantojo įmonę.

ŠALUTINIS PAVOJUS

Net naudojant gaminį griežtai pagal paskirtį neįmanoma visiškai atmesti kai kurių liktinių rizikos veiksnių. Naudojant gali kilti toliau nurodyti pavojai ir naudotojas turi būti ypatingai atsargus, kad išvengtų šių pavojų:

- Galūnių įkišimas arba prisilietimas prie judančios juostos



Reikia būti itin atsargiems (ypač įrenginiui veikiant atbuline eiga) ir pirštais ar plaštakomis neprisiliesti prie šurkščios šlifavimo juostos ar neįkišti galūnių į volelius.

- **Dulkių keliamas pavojus**
Naudojant gaminį, susidaro dideli kiekiai dulkių ir smulkiųjų dalelių. Apdorojant medžiagas šiuo gaminiu reikia naudoti dulkių surinktuvą arba dulkių siurbį. Dėvėkite kvėpavimo sistemos apsaugines kaukes su atitinkamais filtrais, nepraleidžiančiais nuo pjaunamų medžiagų atsiskiriančių dalelių. Darbo vieta turi būti tinkamai vėdinama. Darbo vietoje negalima valgyti, gerti ar rūkyti.
- **Sprogimo pavojus**
Susikaupusios smulkios dulkelės gali užsidegti ir sukelti gaisrą. Darbo vieta turi būti švari ir nedulkėta. Dulkių surinkimo ir ištraukimo vakuumu sistemos turi būti reguliariai ir kruopščiai valomos. Šlifuojant metalą, gali pažirti karštos kibirkštys.
- **Triukšmas ir vibracija**
Naudojant gaminį reikia dėvėti ausų apsaugos priemonės. Gaminio negalima naudoti ilgai.

RIZIKOS MAŽINIMAS

Pranešama, kad rankinių įrankių keliamos vibracijos kai kuriems asmenims gali paskatinti Reino sindromo vystymąsi. Šios ligos požymiai yra pirštų dilgčiojimas, nutirpimas ir pabalimas, paprastai pasireiškiantis nuo šalčio. Šie simptomai vystosi dėl paveldimų veiksnių, nesisaugant nuo šalčio ir drėgmės, dėl mitybos, rūkymo ir darbo praktikos. Operatorius gali imtis šių priemonių, kurios gali sumažinti vibracijos poveikį:

- Apsirenkite kuo šilčiau šaltu oru. Dirbant šiuo prietaisu mūvėkite pirštines, kad plaštakos ir riešai būtų laikomi šiltai. Turime pranešimų, kad Raynaud sindromas labiausiai vystosi nuo šalto oro sąlygų.
- po darbo kiekvieną kartą pasportuokite, kad pagerėtų kraujotaka;
- dažnai darykite darbo pertraukas. Apribokite darbo laikotarpį per dieną.

Jei jums pasireiškia kokie nors šios būklės simptomai, nedelsdami nutraukite darbą ir kreipkitės į gydytoją.

VEIKIMAS

- Gaminio negalima naudoti, jeigu šlifavimo juosta netinkamai įtempta ar uždėta. Netinkamai įtempta šlifavimo juosta gali nuslysti nuo gaminio ir sužaloti operatorių arba apgadinti šlifuoکلį.
- Ruošinį reikia pritvirtinti prie tinkamo darbatalio spaustuvu arba veržtuvu. Taip ruošinys nenuslys nuo šlifavimo juostos.
- Gaminį reikia laikyti ir valdyti abiem rankomis laikant už specialių rankenėlių.
- Nestumkite gaminio jėga. Reikia pasirinkti ir naudoti tinkamą paskirčiai gaminį. Tinkamu gaminiu šlifavimo darbai bus atliekami geriau, saugiau ir reikiamu

projektiniu greičiu.

- Gaminio negalima pernelyg spausti. Gaminys savo svoriu turi reikimai prispausti ruošinį, o ranka reikia nukreipti šlifuoکلį. Per daug spaudžiant gaminys gali būti perkraunamas ir galima pakenkti variklį. Stipriau spaudžiant nepavyks nušifuoti daugiau medžiagos priešingai, šlifavimas bus mažiau veiksmingas.
- Reikia dažnai keisti šlifavimo juostą, kad gaminys veiksmingai šlifuoکلų medžiagą.
- Gaminys paleidžiamas jungikliu ir palaukiama, kol juosta pradeda judėti reikiamu greičiu. Tada juosta nuleidžiama ant ruošinio. Gaminį reikia tvirtai laikyti abiem rankomis, nes judėdama juosta stumia gaminį į priekį.
- Kiekvienai šlifavimo užduočiai reikia pasirinkti tinkamo dydžio bei šurkštumo juostą. Norint nušifuoti daugiau medžiagos, reikia naudoti mažesnio numerio šlifavimo juostas; didesnio numerio šlifavimo juostomis pašalinama mažiau medžiagos ir paviršiai nušifuojami glotniau. Pažeistą, apsinešusią nešvarumais ar susidėvėjusią juostą reikia pakeisti nauja.
- Šlifuojant įprasta stumti šlifuoکلį pirmyn ir atgal pagal medžiagos pluoštą. Šifuoti skersai pluošto galima, tačiau tokiu būdu apdorojant paviršius subraižomas ir apgadinas.

⚠ ĮSPĖJIMAS

Tam tikrų dažų, gruntų ir medžiagų dulkės gali dirginti ar sukelti alergines kvėpavimo sistemos reakcijas. Ažuolo, beržo, medienos plaušų plokščių ir kitos dulksės kancerogeninės. Medžiagas, kurių sudėtyje yra asbesto, gali pjauti ar apdirbti tik kvalifikuoti specialistai.

- Reikia naudoti dulkių surinktuvą arba prijungti dujų išleidimo angą prie dulkių siurblio, kad dulkių dalelės keltų kuo mažiau pavojų.
- Visi asmenys, esantys darbo vietoje arba netoliese, privalo dėvėti apsaugines kaukes, užtikrinančias tinkamą apsaugą nuo dulkių.
- Visada užsidėkite apsauginius akinius arba akinius su šoniniais skydais, kai dirbate su šiuo įrankiu.

⚠ ĮSPĖJIMAS

Ilgai naudojant įrankį, galima susižaloti arba pakenkti sveikatai. Ilgiau naudojant įrankius, reikia reguliariai daryti pertraukas.

GERAI IŠMANYKITE APIE GAMINĮ

Žūrėti 107 psl.

1. Priekinė rankena
2. Fiksavimo mygtukas
3. Pagrindinė rankena
4. Dulkių anga
5. Baterijos gnybtas
6. Šlifavimo diržo reguliavimo rankenėlė

EN
FR
DE
ES
IT
NL
PT
DA
SV
FI
NO
RU
PL
CS
HU
RO
LV
LT
ET
HR
SL
SK
BG
UK
TR
EL



7. Perjungiklis
8. Šlifavimo diržo atleidimo svirtis
9. Priekinės rankenos reguliavimo mygtukas
10. Siurblio adapteris
11. Dulkių maišelis
12. Šlifavimo juosta (60 rupumo)
13. Šlifavimo juosta (100 rupumo)
14. Šlifavimo juosta (120 rupumo)

PRIEŽIŪRA

⚠ ĮSPĖJIMAS

Gaminio jokiū būdu negalima jungti į maitinimą surenkant, valant, atliekant priežiūros darbus arba nenaudojant. Atjungus perforatorių, jis nepasileis atsiktinai: atsiktinai pasileidęs, šis įrankis gali sunkiai sužaloti.

⚠ ĮSPĖJIMAS

Sugedusias detales keiskite tik originaliomis „Ryobi“ atsarginėmis detalėmis. Kitų detalių naudojimas gali sukelti pavojų ar sugadinti įrankį.

⚠ ĮSPĖJIMAS

Visada nuimkite šlifavimo juostą, prieš valydami gaminį. To nepadarius, gali sukelti rimtų sužalojimų.

Valydami plastikines detales, nenaudokite tirpiklių. Daugelis plastikų jautrūs įvairių tipų komerciniams tirpikliams ir juos naudojant galima pažeisti plastikines detales. Valydami purvą, anglies dulkes ir kt. naudokite švrią šluostę.

⚠ ĮSPĖJIMAS

Stabdžių skysčiai, gazolinas ir benzino produktai, skvarbios alyvos ir pan. jokiū būdu negali patekti ant plastiko dalių. Juose yra chemikalų, kurie gali sugadinti, pažeisti arba susilpninti plastiką.

Su stiklo pluošto medžiagomis, sieninėmis plokštėmis, kibirkščiuojančiais junginiais ar tinku darbo metu naudojami elektriniai įrankiai greitai susidėvi ir sugenda todėl, kad stiklo pluošto atplaišos ir šlifavimo likučiai agresyviai veikia guolius, šepetčius, komutatorius, ir t. t. Nepartartina labai ilgai gaminiu pjauti šio tipo medžiagų.

Atlikus darbą, reikia nuimti juostą ir, jeigu uždėta, dulkių surinktuve. Dulkių surinktuve reikia valyti vadovaujantis iliustracijomis, pateiktomis šiame vadove. Gaminys kruopščiai valomas šepetčiu, sausa skepeta ir dulkių siurbliu.

⚠ ĮSPĖJIMAS

Dulkių negalima nupūsti suspaustu oru, nes taip galima sunkiai susižaloti akis.

Siekiant užtikrinti didesnę saugumą ir patikimumą, visus

taisymo darbus turi atlikti įgaliotas "Ryobi" techninio aptarnavimo centras.

Kad įrankis ilgai veiktų normaliomis darbo sąlygomis, visi šio įrankio guoliai tepami užpilant pakankamą kiekį aukštos kokybės tepalo. Todėl daugiau jo tepti nebereikia.

APLINKOS APSAUGA



Žaliavines medžiagas perdirbkite pakartotinai, o ne išmeskite kaip atliekas. Mechanizmas, priedai ir pakuotės turi būti laikomi pakartotinai perdirbti aplinkai nekenksmingu būdu.

SIMBOLIAI



Pranešimas apie saugumą

V

Voltais

n_o

Neužtaisyto įtaiso greitis

min⁻¹

Apsukos ar judėjimas per minutę



Nuolatinė srovė



CE suderinimas



„EurAsian“ atitikties ženklas



Ukrainos atitikties ženklas



Atidžiai perskaitykite instrukcijas prieš pradėdami naudoti mechanizmą.



Dėvėkite klausos apsaugos priemones



Dėvėkite akių apsaugos priemones



Elektrinių produktų atliekos neturi būti metamos kartu su namų ūkio atliekomis. Prašome perdirbkite jas ten, kur yra tokios perdirbimo bazės. Dėl perdirbimo patarimo kreipkitės į savo vietinę savivaldybę ar pardavėją.

SIMBOLIAI VADOVE



Pastaba



Detalės arba priedai yra parduodami atskirai



Atrakinti



Blokėtąjs

Šie signaliniai žodžiai yra skirti nurodyti su prietaiso naudojimu susijusio pavojaus lygį.

PAVOJUS

Rodo grėšiančią pavojingą situaciją, kurios neišvengus galima patirti mirtiną arba sunkų sužalojimą.

ĮSPĖJIMAS

Rodo potencialiai pavojingą situaciją, kurios neišvengus galima patirti mirtiną arba sunkų sužalojimą.

ATSARGIAI

Rodo potencialiai pavojingą situaciją, kurios neišvengus galima patirti nesunkų arba vidutinio sunkumo sužalojimą.

ATSARGIAI

(Be įspėjamojo šauktuko) Reiškia situaciją, kurioje galima sugadinti turtą.



Teie lintlihvmasina konstrueerimisel on peaeesmärgiks olnud toote ohutus, tootlikkus ja töökindlus.

OTSTARBEKOHANE KASUTAMINE

Lintlihvmasin on ette nähtud metallide, puidu, plastide ja nendega sarnaste materjalide lihvimiseks. Sellega saab eemaldada ka värve, lakke ja roostet.

Seda seadet tohivad kasutada vaid täiskasvanud, kes on ohutusjuhised läbi lugenud ja riskidest ning ohtudest aru saanud. Seadet tohib kasutada ainult hästi ventileeritud kohas.

Seade on ette nähtud vaid kuivlihvamiseks. Ärge kasutage seadet märglihvamiseks.

Lintlihvmasin on ette nähtud kasutamiseks vaid kodusel majapidamises. Ärge kasutage seadet ühelgi muul viisil kui mainitud sihtotstarbeks.

HOIATUS

Mõnede värvide tolm, pinnakatted ja materjalid võivad põhjustada hingamisteede ärritust või allergilisi reaktsioone. Tamme- ja kasepuu, MDF-i ja mõnede muude materjalide tolm on kantserogeenne. Asbesti sisaldavaid materjale tohivad lõigata vastava väljaõppega eriopeaatorid.

HOIATUS

Lugege kõik ohuhoiatused ja juhised läbi. Hoiatuse ja juhiste eiramise puhul on oht saada elektrilööki või raskeid kehavigastusi ning/või põhjustada tulekahju.

Hoidke kõik hoiatused ja juhised edaspidiseks juhendumiseks alles.

ÜLDISED HOIATUSED TÖÖPINGI KOHTA

HOIATUS

Lugege läbi kõik tööpingi ja paigaldatava elektrilise tööriistaga kaasasolevad hoiatused ja juhised. Hoiatuse ja juhiste eiramise puhul on oht saada elektrilööki või raskeid kehavigastusi ning/või põhjustada tulekahju.

- Hoidke kõik hoiatused ja juhised edaspidiseks juhendumiseks alles.
- Hoiatuses kasutatav termin "mootortööriist" viitab võrgutoitega (juhtmega) tööriistale või akuga (juhtmata) tööriistale.
- Enne tööriista reguleerimist või tarvikute vahetamist ühendage pistik vooluallikast lahti ja/ või eemaldage tööriista aku. Tööriista ootamatu käivitamine põhjustab õnnetusi.
- Enne tööriista paigaldamist pange tööpink korralikult kokku. Õige kokkupanek on tähtis, et vältida selle kokkukukkumist.

- Enne tööriista kasutamist kinnitage see turvaliselt tööpingi külge. Tööriista liikumine tööpingil võib põhjustada kontrolli kadumist tööriista üle.
- Asetage tööpink kindlale, siledale ja tasasele pinnale. Kui tööpink liigub või kõigub, ei saa tööriista ega töödeldavat detaili kindlalt ja ohutult juhtida.
- Ärge koormake tööpink üle ega kasutage seda redeli või tellinguna. Ülekoormus või tööpingil seismine muudab pingi liiga raskeks ja see kipub ümber kukkuma.

LINTLIHVMAASINA OHUTUSJUHISED

- Kandke alati turvaprille ja tolmumaski.
- Kandke nõuetekohast respiraatorit kui lihvite tina sisaldavaid värve, kõva puitu või metalle, et ohtlikku/mürgist tolmu või õhku mitte sisse hingata.
- Seade ei ole ette nähtud märglihvamiseks.
- Ärge kasutage lihvimisel suuremat lihvlinti, kui vajalik.

AKU LISAOHUTUSJUHISED

HOIATUS

Lühisest põhjustatud tuleohtu, vigastuste või toote kahjustuste vältimiseks ärge kastke tööriista, vahetusakut ega laadimiseseadet vedelikku ning jälgige, et vedelikke ei tungiks seadmetesse ega akusse. Korrodeeruvad või elektrit juhtivad vedelikud, nagu soolvesi, teatud kemikaalid ja pleegitusained või pleegitusaineid sisaldavad tooted, võivad põhjustada lühisid.

LIITUMAKUDE TEISALDAMINE

Akude transportimisel juhendage kasutuskohas kehtivatest ja riiklikest määrustest ja eeskirjadest.

Akude transportimisel allettevõtjate poolt järgige kõiki spetsiaalseid pakkimise ja tähistamise nõudeid. Veenduge, et akud ei satu kokkupuutesse teiste akude ega voolu juhtivate materjalidega, transportimise ajal kaitske klemme voolu mittejuhtivate isoleerkatete või teibiga. Ärge transportige pragnunud või lekkivaid akusid. Küsige lisateavet transportettevõtelt.

JÄÄKRISKID

Isegi siis, kui seadet kasutatakse kirjeldatud viisil, ei ole võimalik kõrvaldada kõiki jääkriskide mõjureid. Töötamise ajal võivad tekkida järgmised ohud, millele operaator peab pöörama erilist tähelepanu.

- Takerdumine või kokkupuutumine liikuva lindiga. Kasutaja peab pööranud töörežiimis töötamisel olema väga tähelepanelik, et vältida oma sõrmede ja käeosade sattumist kokkupuutesse abrasiivlindiga ning vältida nende jäämist rullikute vahele.





- Tolmuga kokkupuutumine või selle sissehingamine
Seadme kasutamise ajal tekib märkimisväärset hulgal tolmu ja peenosakesi. Kasutage seadme kasutamise ajal tolmu kogumisseadet või ühendage sellele tolmuimeja. Kandke hingamismaski, milles on filter vastavalt lõigatavale materjalile. Tagage töökohal nõuetekohane ventilatsioon. Ärge töökohal sööge, jooge ega suitsetage.
- Plahvatuse oht
Kogunenud peentolm võib süttida ja põhjustada tulekahju. Hoidke tööpiirkond puhas ja tolmuvaba. Tolmu kogumis- ja imisüsteeme tuleb puhastada regulaarselt ja põhjalikult. Metallide lihvimisel võib tekkida sädemeid.
- müra ja vibratsioon
Kandke selle seadme kasutamisel kuulmiskaitsevahendeid. Ärge kasutage seadet pikka aega.

RISKI ALANDAMINE

Teadaolevalt võib käsitööriistade kasutamine põhjustada mõnedel inimestel seisundit, mida nimetakse Raynaud' sündroomiks. Los síntomas pueden incluir hormigueo, entorpecimiento y decoloración de los dedos, generalmente apareses cuando tiene lugar una exposición al frío. Nende sümptomite puhul tuleb hoiduda külmast ja niiskusest, dieedist ning suitsetamisest ja kasutada õigeid töövõtteid. Vibratsiooni mõju vähendamiseks tuleb rakendada järgmisi abinõusid.

- Külma ilmaga hoidke oma keha soe. Kandke kindaid, et hoida oma käed ja randmed soojad. Uuringud näitavad, et Raynaud's Syndrome ilmneb põhiliselt külma ilmaga.
- Pärast külmas töötamist tehke harjutusi, et verevarustust kiirendada.
- Tehke regulaarselt töovaheaegsid. Piirake tööperioodi pikkust.

Kui ilmnevad haigustunnused, lõpetage kohe töö ja pöörduge arsti poole.

KASUTAMINE

- Ärge kasutage seadet ilma nõuetekohaselt suunatud ja kinnitatud lindita. Ebaõigesti suunatud lint võib lahti tulla ja põhjustada kehavigastusi või seadme kahjustusi.
- Kinnitage toorik tööpingile kruustangidele või pitskruivi abil. See takistab tooriku väljapaikumist.
- Hoidke seadet töötamise ajal kontrolli all kahest käepidemest kinni hoides.
- Ärge kasutage toote juures jõudu. Kasutage tööks sobivat elektritööriista. Õigesti valitud tööriist töötab paremini ja ohutumalt selles võimsuspiirkonnas, millele see on ette nähtud.
- Ärge rakendage seadmele liigset rõhku. Laske seadme massil rakendada õiget survet ja hoidke kinni käepidemetest, et seda juhtida. Liigne surve koormab seadme üle ja kahjustab mootorit. Liigse surve

avaldamisega ei saa maha lihvida rohkem materjali ja selle asemel võib alaneda lihvimistootlus.

- Seadme tõhusa lihvimisvõime tagamiseks vahetage lihvlinti regulaarselt.
- Käivitage seade päästikule vajutamisega ja laske seadmel saavutada nõuetekohane kiirus. Seejärel langetage lint toorikule. Hoidke seadet kindlalt kahe käega, sest lindi liikumine veab seadet edasi.
- Valige tehtavale tööle sobiva suuruse ja terajämedusega lint. Kasutage paksema materjalikihi eraldamiseks jämeda terasuurusega linti ja õhema materjalikihi eemaldamiseks ning viimistlemiseks peenema terasuurusega linti. Asendage lint kui see on vigastatud, ummistunud või kulunud.
- Lihvimise ajal võib seadet liigutada edasi-tagasi piki puidu kiudu. Lihvimine puidukiuga risti tekitab pinnale kriimustusi ja vigastusi.

⚠ HOIATUS

Mõnede värvide tolmu, pinnakatted ja materjalid võivad põhjustada hingamisteede ärritust või allergilisi reaktsioone. Tamme- ja kasepuu, MDF-i ja mõnede muude materjalide tolm on kantserogeenne. Asbesti sisaldavaid materjale tohivad lõigata vastava väljaõppega erioperaatorid.

- Tolmukübemetega kokkupuutumise riski vältimiseks kasutage tolmu kotti või ühendage tolmu väljalaskeavaale tolmuimeja.
- Kõik tööpiirkonnas või selle lähedal viibivad isikud peavad kandma asjakohast kaitset pakkuvat tolmu maski.
- Kandke toodet kasutades küljekaitsetega ohutusvõi kaitseprille.

⚠ HOIATUS

Seadme pikaajalisel kasutamisel võite saada kehavigastusi või vigastused võivad süveneda. Seadme kasutamisel pika aja jooksul tuleb teha korralisi vaheaegsid.

ÕPPIGE OMA TOODET TUNDMA

Vt lk 107.

1. Eesmine käepide
2. Lukustusnupp
3. Põhikäepide
4. Tolmuotsak
5. Aku ühenduspesa
6. Lihvimislindi reguleerimisnupp
7. Päästik
8. Lihvimislindi vabastushoob
9. Eesmise käepideme reguleerimisnupp
10. Tolmukoti adapter
11. Tolmukott
12. Lihvlint (tera suurus 60)
13. Lihvlint (tera suurus 100)



14. Lihvlint (tera suurus 120)

HOOLDUS

⚠ HOIATUS

Seade ei tohi mingil juhul olla toitepinge all sel ajal kui kinnitate selle osi, puhastate või hooldate seadet ning siis kui seda ei kasutata. Seadme elektrivõrgust lahtiühendamine väldib selle tahtmatu käivitumise, mis võib põhjustada raske kehavigastuse.

⚠ HOIATUS

Kasutage teenindamisel ainult täpselt sobivaid Ryobi varuosi. Muude osade kasutamine võib tekitada ohuolukorra ja põhjustada seadme vigastumise.

⚠ HOIATUS

Enne puhastamist eemaldage tootelt lihvlint. Kui seda ei tehta, võivad põhjustada tõsiseid vigastusi.

Vältige plastosade puhastamisel lahustite kasutamist. Enamik plaste on tundlikud kaubandusvõrgust saadaolevate lahustite suhtes ja võivad nende mõjul oma omadusi kaotada. Tolmust, õlist, määrdest ja muust mustusest puhastamiseks kasutage puhast riidelappi.

⚠ HOIATUS

Ärge laske plastosadel mitte mingil juhul sattuda kokkupuutesse auto pidurivedeliku, bensiini, bensiinipõhiste toodete, immutusõlidega või muude samalaadsete vedelikega. Kemikaalid võivad kahjustada, nõrgendada või hävitada plastiku.

Elektritööriistade kasutamisel klaaskiudmaterjalide, seinapaneelide, pahtlisegu või kipsi lihvimiseks võib kaasnedna masinaosade kiirenenud kulumine ning võimalikud rikked, sest klaaskiududest ja teistest peenosakestest koosnev väga abrasiivne lihvimistolm kulutab laagreid, kollektori harju, kommutaatorit ja teisi mootoriosi. Seda tüüpi materjalide pikaajaline töötlemine selle seadme abil ei ole soovitatav.

Pärast iga kasutuskorda eemaldage lihvlint ja tolmukott. Hoidke toitejuhet nagu on näidatud selle kasutusjuhendi joonistel. Puhastage seade hoolikalt harja ja kuiva lapiga või tolmuimejaga.

⚠ HOIATUS

Ärge kasutage tööriistalt tolmu eemaldamiseks suruõhku, et vältida raskeid silmakahjustusi.

Kõik remonttööd tuleb lasta teha Ryobi volitatud hoolduskeskuses, et tagada masina ohutus ja töövoime.

Kõik selle tööriista laagrid on tehases täidetud piisava hulga kvaliteetse määrdega, mis tagab tavatingimustes nende töövoime kogu kasutusea jooksul. Seetõttu ei ole

täiendav määrimine vajalik.

KESKKONNAKAITSE



Taaskasutage materjale nende jäätmekäitluse andmise asemel. Masin, selle lisaseadmed ja pakend tuleb jäätmekäitluseks keskkonnasõbralikult sorteerida.

SÜMBOL



Ohutusalaane teave



Volt



Kiirus ilma koormuseta



Pöörete või löökide arv minutis



Alalisvool



CE vastavus



Euraasia vastavusmärk



Ukraina vastavusmärgis



Enne seadme kasutamist lugege palun kasutusjuhendit hoolikalt läbi.



Kandke kuulmise kaitsevahendeid



Kandke silmade kaitsevahendeid



Mittekasutatavaid elektritooteid ei tohi visata olmejäätmete hulka. Vaid tuleb viia vastavasse kogumispunkti. Vajadusel küsige sellekohast nõu oma edasimüüjalt või vastavalt kohaliku omavalitsuse institutsioonilt.

KASUTUSJUHENDIS KASUTATUD SÜMBOLID



Märkus



Eraldi ostetavad osad või tarvikud



Lahtikeeramine



Lukk

Järgnevad märguandesõnad ja tähendused on mõeldud selle toote kasutamiseiga seotud riskitasemete kirjeldamiseks.

⚠ OHT.

Osutab ähvardavale ohuolukorrale, mille mittevältimine lõpeb surma või tõsise vigastusega.

⚠ HOIATUS

Osutab võimalikule ohuolukorrale, mille mittevältimine võib lõppeda surma või tõsise kehavigastusega.

⚠ ETTEVAATUST

Osutab võimalikule ohuolukorrale, mille mittevältimine võib lõppeda väiksemate või mõõdukate kehavigastustega.

ETTEVAATUST

(Ilma ohutussümbolit) Viitab olukorrale, mis võib põhjustada kahjustusi varale.

U razvoju ove tračna brusilica dati su maksimalni prioriteta sigurnosti, performansama i pouzdanosti.

NAMJENA

Ova tračna brusilica namijenjena je za brušenje metala, drva, plastike ili sličnih materijala. Također može uklanjati boju, lak i koroziju s površina.

Namijenjena za korištenje samo od strane operatera koji su pročitali upute za korištenje i razumiju opasnosti. Proizvod treba koristiti samo u dobro ventiliranim područjima.

Proizvod je namijenjen samo za suho brušenje. Nemojte koristiti proizvod za mokro brušenje.

Brusna traka namijenjena je samo za korištenje od strane korisnika. Nemojte koristiti proizvod na bilo koji drugi način od onog za koji je namijenjen.

⚠ UPOZORENJE

Prašina iz određenih boja, premaza i materijala mogu uzrokovati iritacije ili alergijske reakcije u respiratornom sustavu. Prašina iz drveta poput hrasta, bukve, MDF-a i ostalog je karcinogena. Materijalom koji sadrži azbest trebaju uvijek raditi ili obrađivati kvalificirani stručnjaci.

⚠ UPOZORENJE

Pročitajte sva sigurnosna upozorenja i sve upute. Nepridržavanje upozorenja i uputa navedenih u nastavku može dovesti do električnog udara, požara i/ili ozbiljnih tjelesnih ozljeda.

Spremite sva upozorenja i upute za buduće korištenje.

OPĆA SIGURNOSNA UPOZORENJA KOJA SE ODOSE NA RADNO POSTOLJE

⚠ UPOZORENJE

Pročitajte sva sigurnosna upozorenja i sve upute dobivene s radnim postoljem i električnim alatom kojeg ćete montirati. Nepridržavanje upozorenja i uputa navedenih u nastavku može dovesti do električnog udara, požara i/ili ozbiljnih tjelesnih ozljeda.

- **Spremite sva upozorenja i upute za buduće korištenje.**
- Pojam „električni alat“ u upozorenjima odnosi se na vaš električni alat (žični) napajan iz električne mreže ili električni alat na baterije (bežični).
- **Izvučite utikač iz izvora električnog napajanja i/ili baterijskog sklopa prije izvršavanja bilo kakvih prilagodbi ili promjene dodatne opreme.** Slučajno pokretanje električnog alata uzrok je pojedinih nesreća.
- **Pravilno sastavite postolje prije montiranja alata na njega.** Pravilno sastavljanje važno je radi sprečavanja opasnosti od rušenja.
- **Prije uporabe čvrsto pritegnite električni alat za**

radno postolje. Električni alat koji se pomiče po radnom postolju može prouzročiti gubitak nadzora.

- **Radno postolje postavite na tvrdu, plosnatu i ravnu površinu.** Kada se radno postolje može pomicati ili tresti, električni alat ili komad koji se obrađuje ne može se čvrsto i sigurno kontrolirati.
- **Nemojte preopterećivati radno postolje niti ga koristiti kao ljestve ili skelu.** Preopterećivanjem ili stajanjem na radnom postolju doći će do njegovog “preopterećenja na vrhu” i ono će se vjerojatno prevrnuti
- **Uvijek nosite zaštitne naočale i masku za zaštitu od prašine.**
- **Mora se nositi prikladan respirator za disanje tijekom brušenja boje, nekih drva i metala kako bi se izbjeglo udisanje štetne/otrovne prašine ili zraka.**
- **Uređaj nije prikladan za mokro brušenje.**
- **Nemojte koristiti veću brusnu traku od potrebne.**

SIGURNOSNA UPOZORENJA VEZANO ZA BRUSNU TRAKU

DODATNA SIGURNOSNA UPOZORENJA ZA BATERIJU

⚠ UPOZORENJE

Zbog izbjegavanja opasnosti od požara jednim kratkim spojem, opasnosti od ozljeda ili oštećenja proizvoda, alat, izmjenjivi akumulator ili napravu za punjenje ne uronjavati u tekućine i pobrinite se za to, da u uređaje ili akumulator ne prodiru nikakve tekućine. Korozirajuće ili vodljive tekućine kao slana voda, određene kemikalije i sredstva za bijeljenje ili proizvodi koji sadrže sredstva bijeljenja, mogu prouzročiti kratak spoj.

TRANSPORTIRANJE LITIJSKIH BATERIJA

Transportirajte bateriju u skladu s lokalnim i nacionalnim pravilima i zakonima.

Slijedite sve specijalne zahtjeve na pakiranju i naljepnicama prilikom transporta baterije od treće strane. Osigurajte da baterija ne može doći u kontakt s drugim baterijama ili provodnim materijalima tijekom transporta tako da zaštitite izložene priključke s izolacijom, kapicama koje ne provode energiju ili trakom. Nemojte transportirati baterije koje su polomljene ili cure. Provjerite kod kompanije koja transportira za daljnju pomoć.

PREOSTALE OPASNOSTI

Čak i kad je proizvod korišten kao što je prethodno opisano, još uvijek nije moguće potpuno isključiti ostale čimbenike opasnosti. Može doći do sljedećih opasnosti prilikom korištenja i operater mora obratiti posebnu pozornost kako bi izbjegao sljedeće:

- Zahvaćanje ili kontakt s pokretnom trakom
Morate biti dodatno pažljivi posebice tijekom obrnutog



rada, kako biste spriječili da prsti i ruke operatera dođu u kontakt s brusnom trakom ili budu zahvaćeni valjcima.

- **Kontakt s ili udisanje prašine**
Tijekom korištenja proizvoda, proizvodi se značajan dio prašine i finih čestica. Koristite proizvod za prikupljanje prašine ili spojite usisavač za izvlačenje prašine kad proizvod radi. Nosite respiratorne maske koje sadrže odgovarajuće filtere za materijale s kojima se radi. Osigurajte odgovarajuću ventilaciju radnog mjesta. Nemojte jesti, piti ili pušiti u radom području.
- **Opasnost od eksplozije**
Akumulirana fina prašina može se zapaliti i uzrokovati požar. Održavajte radno područje čistim i bez prašine. Sustavi za prikupljanje prašine i usisavanja trebaju se redovito i temeljito čistiti. Prilikom brušenja metala, moguće doći do iskretnje.
- **buka i vibracija**
Prilikom rada s uređajem uvijek nosite zaštitu za sluh. Nemojte raditi s proizvodom dulje vremensko razdoblje.

SMANJENJE OPASNOSTI

Prijavljeno je da vibracije alata kod određenih pojedinaca mogu doprinijeti stanju pod nazivom Raynaud's Syndrome. Simptomi mogu uključivati trnce, ukočenost i bjelinu prstiju, obično uočljivo po izlaganju hladnoći. Smatra se da nasljedne osobine, izlaganje hladnoći i vlazi, dijeta, pušenje i radni postupci pridonose razvoju ovih simptoma. Postoje mjere koje operator može poduzeti kako bi smanjio moguće učinke vibracije:

- Održavajte svoje tijelo toplim u hladnim vremenskim uvjetima. Kad radite s uređajem nosite rukavice kako biste ruke i zglobove održavali toplima. Prijavljeno je da je hladnoća glavni čimbenik koji doprinosi Raynaud's Syndrome.
- Nakon svakog perioda rada vježbajte kako biste povećali cirkulaciju krvi.
- Uzimajte česte stanke u radu. Ograničite količinu izlaganja po danu.

Ako osjetite neke od simptoma ovog stanja, odmah prekinite korištenje i obratite se svome liječniku vezano uz ove simptome.

RAD

- nemojte raditi s uređajem bez pravilno vođene i učvršćene trake. Nepravilno praćena traka može spasti s proizvoda i uzrokovati osobne ozljede ili oštećenje brusilice.
- Osigurajte izradak sa škripom ili stezaljkom na radni stol. Ovo pomaže spriječiti da izradak bude odbačen.
- Koristite isporučene ručke za držanje i kontrolu proizvoda s obje ruke.
- Nemojte silom gurati proizvod. Za vašu primjenu koristite točan uređaj. Uređaj će bolje i sigurnije raditi na brzini za koju je konstruiran.
- Nemojte primijeniti preveliki pritisak na proizvod.

Pustite da težina uređaja određuje točan pritisak te koristite ruke za vođenje brusilice. Pretjerani pritisak će preopteretiti proizvod i oštetiti motor. Primjena većeg pritiska neće ukloniti nikakav materijal i smanjit će učinkovitost brušenja.

- Često mijenjate brusnu traku kako biste održali sposobnost proizvoda za učinkovitim uklanjanjem materijala.
- Pokrenite uređaj pomoću sklopke za pokretanja i omogućite traci da dostigne točnu brzinu. Potom spustite traku na izradak. Držite proizvod čvrsto s obje ruke jer pomicanje trake pomiče proizvod prema naprijed.
- Odaberite točnu veličinu trake i odgovarajuću gruboću za zadatak. Koristite trake s manjim brojem zrnaca za uklanjanje više materijala; veći broj zrnaca za uklanjanje manje materijala i za finiji završetak. Zamijenite traku ako se ošteti, zaglavi s ostacima ili istroši.
- Normalno je brušenje i pomicanje proizvoda prema natrag i naprijed zajedno s brušenjem materijala. Brušenje preko izratka rezultira ogrebotinama i oštećenom površinom.

⚠ UPOZORENJE

Prašina iz određenih boja, premaza i materijala mogu uzrokovati iritacije ili alergijske reakcije u respiratornom sustavu. Prašina iz drveta poput hrasta, bukve, MDF-a i ostalog je karcinogena. Materijalom koji sadrži azbest trebaju uvijek raditi ili obrađivati kvalificirani stručnjaci.

- Koristite sakupljač prašine ili spojite ulaz za prašinu na usisavač za smanjenje opasnosti vezano za čestice prašine.
- Sve osobe u radnom području ili blizu njega trebaju nositi maske za zaštitu od prašine koje pružaju odgovarajuću zaštitu.
- Dok upotrebljavate uređaj uvijek nosite sigurnosne naočale ili zaštitne naočale opremljene bočnim štitnicima.

⚠ UPOZORENJE

Ozljede mogu biti uzorkovane ili izazvane produljenim vremenskim razdobljem korištenja alata. Kada koristite bilo koji alat dulje vremena, osigurajte da uzimate povremene stanke.

UPOZNAJTE SVOJ PROIZVOD

Pogledajte stranicu 107.

1. Prednja ručica
2. Gumb za blokiranje
3. Glavna ručka
4. Prašina Luka
5. Ulaz za bateriju
6. Okretni gumb za podešavanje brusnog remena
7. Sklopka za pokretanje

EN
FR
DE
ES
IT
NL
PT
DA
SV
FI
NO
RU
PL
CS
HU
RO
LV
LT
ET
HR
SL
SK
BG
UK
TR
EL



8. Poluga za otpuštanje brusnog remena
9. Gumb za podešavanje prednje ručice
10. Vakuumski adapter
11. Vrećica za prašinu
12. Brusna traka (gradacije 60)
13. Brusna traka (gradacije 100)
14. Brusna traka (gradacije 120)

ODRŽAVANJE

⚠ UPOZORENJE

Proizvod nikad ne smije biti priključen na izvor napajanja kada sastavljate dijelove, čistite, izvodite održavanje ili kada se proizvod ne koristi. Iskapčanje proizvoda sprječava slučajno pokretanje koje može dovesti do ozbiljnih osobnih ozljeda.

⚠ UPOZORENJE

Prilikom servisiranja koristite samo identične Ryobi zamjenske dijelove. Korištenje nekih drugih dijelova može dovesti do opasnosti ili uzrokovati oštećenje alat.

⚠ UPOZORENJE

Prije čišćenja iz proizvoda uvijek uklonite brusnu traku. Nepoštivanje ovog pravila može dovesti do teških tjelesnih ozljeda.

Prilikom čišćenja plastičnih dijelova izbjegavajte koristiti kemijska sredstva. Većina plastika je podložna različitim vrstama komercijalnih kemijskih sredstava za čišćenje i mogu se oštetiti prilikom njihovog korištenja. Za uklanjanje nečistoća, prašine, ulja masti i drugog upotrebljavajte čistu krp.

⚠ UPOZORENJE

Nikada ne dopustite kontakt plastičnih dijelova s tekućinom za kočnice, benzinom, proizvodima na bazi petroleja, sredstvima za odmašćivanje, idr. Ti kemijski proizvodi sadrže tvari koje mogu oštetiti, oslabiti ili uništiti plastiku.

Električni alati korišteni na stakloplastici, zidnim pločama, pregradnim pločama ili plastici podložni su ubrzanom trošenju i mogućem prijevremenom kvaru jer iverje i strugotine stakloplastike su vrlo abrazivni za ležajeve, četkice, sklopke itd. Ne preporučujemo korištenje proizvoda za dulje vremensko razdoblje na ovim vrstama materijala.

Nakon svakog korištenja uklonite traku i sakupljač prašine ako je pričvršćen. Očistite sakupljač prašine kao što je prikazano u ilustraciji u ovom priručniku. Temeljito očistite proizvod s četkom, suhom krpom i usisavačem.

⚠ UPOZORENJE

Nemojte koristiti komprimirani zrak za uklanjanje prašine iz proizvoda kako biste spriječili ozbiljne ozljede očiju.

Radi veće sigurnosti i pouzdanosti, sve popravke treba izvoditi ovlašteni Ryobi servisni centar.

Svi ležajevi u ovom alatu podmazani su s dovoljnom količinom visokokvalitetnog sredstva za podmazivanje za životni vijek uređaja u normalnim radnim uvjetima. Stoga nije potrebno daljnje podmazivanje.

ZAŠTITA OKOLIŠA



Sirovine reciklirajte, umjesto da ih odlažete kao otpad. Kako biste zaštitili okoliš, alat, dodatke i ambalažu treba odvojeno baciti u otpad.

SIMBOL



Sigurnosno upozorenje

V Volti

n_0

Brzina bez opterećenja

min⁻¹ Broj okreta ili pokreta u minuti



Istosmjerna struja



Sukladno CE



EurAsian znak konformnosti



Ukrajinska oznaka za sukladnost



Molimo da pažljivo pročitate upute prije pokretanja stroja.



Nosite zaštitu za sluh



Nosite zaštitu za vid



Otpadni električni proizvodi ne treba da se odlažu s otpadom iz domaćinstva. Molimo da reciklirate gdje je to moguće. Potražite savjet od lokalnih vlasti ili prodavca kako reciklirati.

SIMBOLI U PRIRUČNIKU



Napomena



Dijelovi ili pribor prodan odvojeno



Otključavanje



Brava

Slijedeće riječi upozorenja i značenja imaju namjeru da objasne nivo rizika u vezi s ovim proizvodom.

OPASNOST

Naznačuje prijeteću opasnu situaciju, koja ako se ne izbjegne dovodi do smrti ili ozbiljnih ozljeda.

UPOZORENJE

Naznačuje potencijalno opasnu situaciju, koja ako se ne izbjegne dovodi do smrti ili ozbiljnih ozljeda.

OPREZ

Naznačuje potencijalno opasnu situaciju, koja ako se ne izbjegne dovodi do lakših ili srednjih ozljeda.

OPREZ

(Bez simbola upozorenja sigurnosti) Označava situaciju koja može izazvati oštećenje imovine

EN
FR
DE
ES
IT
NL
PT
DA
SV
FI
NO
RU
PL
CS
HU
RO
LV
LT
ET
HR
SL
SK
BG
UK
TR
EL

Varnost, učinkovitost in zanesljivost so bile pri načrtovanju vašega tračnega brusilnika ključnega pomena.

NAMEN UPORABE

Tračni brusilnik je namenjen brušenju kovine, lesa, plastike ali podobnih materialov. Z njim lahko s površin odstranjujete tudi barvo, lak in rjo.

Brusilnik lahko uporabljajo upravljavci, ki so prebrali navodila za uporabo in razumejo tveganja ter nevarnosti. Izdelek smete uporabljati le v dobro prezračjenih prostorih.

Izdelek je namenjen samo za suho peskanje. Izdelka ne uporabljajte za mokro peskanje.

Tračni brusilnik je namenjen samo potrošnikovi uporabi. Do izdelka ne uporabljajte na noben način, ki ni predpisan za to napravo.

⚠ OPOZORILO

Prah z določenih delov, premazi in materiali lahko povzročijo draženje ali alergijske reakcije dihal. Prah z lesa, kot je hrast, bukev, MDF-plošče ali drugi, je karcinogen. Materiale, ki vsebujejo azbest naj obdeluje ali procesira zgolj usposobljen specialističen upravljavec.

⚠ OPOZORILO

Preberite vsa varnostna opozorila in navodila. Neupoštevanje opozoril in navodil lahko privede do električnega udara, požara in/ali resnih poškodb.

Vsa opozorila in navodila shranite za bodočo referenco.

SPLOŠNA VARNOSTNA OPOZORILA ZA DELOVNO STOJALO

⚠ OPOZORILO

Preberite vsa varnostna opozorila in vsa navodila, priložena delovnemu stojalu in električnemu orodju, ki se namesti na stojalo. Neupoštevanje opozoril in navodil lahko privede do električnega udara, požara in/ali resnih poškodb.

- Vsa opozorila in vsa navodila shranite za bodočo referenco.
- Izraz »električno orodje« v opozorilih se nanaša na električno napajano (ožičeno) električno orodje ali baterijsko napajano (brežžično) električno orodje.
- Pred izvajanjem prilagoditev ali menjavanjem dodatkov vtiči izključite iz vira napajanja in/ali iz električnega orodja odstranite akumulatorsko baterijo. Nenamerni zagon električnega orodja lahko privede do določenih vrst nesreč.
- Pravilno sestavite delovno stojalo, preden nanj namestite orodje. Pravilna montaža je pomembna, da preprečite nevarnost zrušitve.
- Pred uporabo električno orodje varno pritrdite

na delovno stojalo. Zaradi premikanja električnega orodja po delovnem stojalu lahko upravljavec izgubi nadzor nad orodjem.

- Delovno stojalo namestite na trdno in ravno površino. Če obstaja možnost, da se delovno stojalo premakne ali zaziba, električnega orodja ali obdelovanca ni mogoče zanesljivo in varno nadzorovati.
- Delovnega stojala ne preobremenite oziroma ne uporabite lestve ali zidarskega odra. Preobremenitev ali stanje na delovnem stojalu lahko privede do njegove nestabilnosti in možnosti prevrnitve.

VARNOSTNA OPOZORILA ZA UPORABO TRAČNEGA BRUSILNIKA

- Vedno nosite zaščitna očala in zaščitno masko.
- Med brušenjem svinčene barve, nekaterih vrst lesa in kovine nosite ustrezni dihalni aparat, da se izognete vdihavanju škodljivega/strupenega prahu ali zraka.
- Izdelek ni primeren za mokro brušenje.
- Ne uporabljajte večjega brusilnega traku, kot ga potrebujete.

DODATNA VARNOSTNA OPOZORILA ZA BATERIJO

⚠ OPOZORILO

V izogib, s kratkim stikom povzročene nevarnosti požara, poškodb ali okvar na proizvodu, orodja, izmenljivega akumulatorja ali polnilne naprave ne potaplajte v tekočine in poskrbite, da ne bo prihajalo do vdora tekočin v naprave in akumulatorje. Korozivne ali prevodne tekočine, kot so slana voda, določene kemikalije in belila ali proizvodi, ki le ta vsebujejo, lahko povzročijo kratek stik.

PREVAŽANJE LITIJEVIH AKUMULATORJEV

Akumulator prevažajte v skladu z lokalnimi in državnimi uredbami in predpisi.

Upoštevajte vse posebne zahteve glede pakiranja in označevanja, kadar prevoz opravlja tretja oseba. Zagotovite, da akumulatorji med prevozom ne morejo priti v stik z drugimi akumulatorji ali prevodnimi materiali, tako da zaščitite izpostavljene konektorje z neprevodnimi izolacijskim pokrovčki ali trakom. Ne prevažajte poškodovanih akumulatorjev oz. akumulatorjev, ki puščajo. Za nadaljnje informacije se obrnite na posredništvo.

PREOSTALA TVEGANJA

Nekateri preostali dejavniki tveganja ni mogoče povsem odpraviti, tudi če ta izdelek uporabljate v skladu z navodili. Med uporabo se lahko pojavijo nekatere nevarnosti, upravljavec pa naj bo pozoren na naslednje:

- Zagozditev ali stik s premikajočim trakom



Posebej bodite previdni pri obratnem upravljanju, da upravljavavec s prsti ali dlanmi ne pride v stik z brusilnim trakom ali valji.

- Stik z ali vdihavanje prahu
Pri uporabi izdelka nastane precejšnja količina prahu in finih delcev. Pri uporabi izdelka uporabljajte zbiralnik prahu ali priključite sesalnik za prah. Nosite zaščitne dihalne maske s primernimi filtri za obdelovane materiale. Zagotovite primerno prezračevanje prostora. V delovnem območju je prepovedano jesti, piti in kaditi.
- Nevarnost eksplozije
Nabrani fini prah se lahko vname in povzroči požar. Delovno okolje ohranjajte čisto in brez prahu. Sisteme za zbiranje prahu in sesalno-izločevalne sisteme morate redno ter temeljito čistiti. Pri brušenju kovine se lahko pojavijo vroče iskre.
- Hrup in vibracije
Pri upravljanju z izdelkom nosite zaščito za ušesa. Izdelka ne uporabljajte predolgo.

ZMANJŠANJE TVEGANJA

Poročali so že, da lahko vibracije ročnih orodij pri nekaterih posameznikih pripomorejo k razvoju Raynaudovega sindroma. Simptomi so lahko mravljinci, otrplost in pobelbeli prsti, kar je običajno vidno, kadar je oseba izpostavljena mrazu. Dedni dejavniki, izpostavljenost mrazu in vlagi, dieta, kajenje in delovne navade naj bi pripomogle k razvoju teh simptomov. Za zmanjšanje učinkov vibracij lahko upravljavavec upošteva naslednja navodila:

- Poskrbite, da bo vaše telo na mrazu toplo. Med upravljanjem nosite rokavice in tako ohranjajte toploto vaših dlani in zapestij. Kot poročajo, je mraz glavni dejavnik, ki prispeva k Raynaudovemu sindromu.
- Po vsakem obdobju upravljanja naprave telovadite in tako pospešite krvni obtok.
- Pogosto si vzemite odmor. Omejite dnevno količino izpostavljenosti.

Če zaznavate kakršnekoli simptome takšnega stanja, takoj prenehajte z uporabo naprave in se posvetujte z zdravnikom.

DELOVANJE

- Z izdelkom ne upravljajte, če trak ni ustrezno nameščen in pritrjen. Nepravilno nameščen trak se lahko sname z izdelka in povzroči poškodbe osebi ali škodo na brusilniku.
- Obdelovanec pritrдите s primežem ali spenjalom na primeren delovni pult. Tako boste preprečili, da bi obdelovanec padel.
- Priložene ročaje uporabite za držanje in nadzorovanje izdelka z obema rokama.
- Izdelka ne uporabljajte s silo. Uporabljajte vaši uporabi ustrezen izdelek. Z ustreznim izdelkom boste delo opravljali bolje in varneje pri hitrosti, za katero je namenjen.

- Na izdelek ne pritiskajte s prekomerno silo. Teža izdelka naj ustvari ustrezen pritisk, z rokami pa vodite brusilnik. Prekomerni pritisk bo preobremenil izdelek in poškodoval motor. Z večjim pritiskom ne boste odstranili več materiala, ampak le zmanjšali učinkovitost brušenja.
- Brusilni trak menjajte pogosto in tako vzdržujte izdelkovo učinkovitost odstranjevanja materiala.
- Izdelek zaženite s stiskom na sprožilec, da trak pridobi ustrezno hitrost. Nato spustite trak na obdelovanec. Izdelek trdno držite z obema rokama, ker bo gibanje traku pomikalo izdelek naprej.
- Izberite trak ustrezne velikosti in primerne hrapavosti. Uporabljajte trakove z nižjo številko hrapavosti za odstranjevanje več materiala, z višjo številko hrapavosti pa za odstranjevanje manj materiala in za finejše končno brušenje. Trak zamenjajte, če je poškodovan, zamašen z odpadnim materialom ali obrabljen.
- Pri brušenju izdelek običajno premikate naprej in nazaj v smeri strukture materiala. Brušenje v nasprotni smeri strukture bo sicer delovalo, a se bo odražalo v opraskani in poškodovani površini.

⚠ OPOZORILO

Prah z določenih delov, premazi in materiali lahko povzročijo draženje ali alergijske reakcije dihal. Prah z lesa, kot je hrast, bukev, MDF-plošče ali drugi, je karcinogen. Materiale, ki vsebujejo azbest naj obdeluje ali procesira zgolj usposobljen specialističen upravljavavec.

- Uporabljajte zbiralnik prahu ali povežite priključek za prah na sesalno napravo, da zmanjšate tveganja, povezana s prašnimi delci.
- Vse osebe v delovnem območju ali v njegovi bližini morajo nositi masko za prah, ki zagotavlja ustrezno zaščito.
- Pri delu z napravo vedno uporabljajte varovalne naočnike ali varnostna očala s stranskimi ščitniki.

⚠ OPOZORILO

Zaradi daljše uporabe orodja lahko pride do poškodb oz. se morebitne poškodbe poslabšajo. Kadar orodje uporabljate dalj časa, si večkrat vzemite odmor.

SPOZNAJTE SVOJ IZDELEK

Glej stran 107.

1. Prednja ročica
2. Ključavnica na gumbu
3. Glavna ročica
4. Priključek vrečke za zbiranje prahu
5. Priklop za bateriji
6. Gumb za prilagoditev brusnega traku
7. Sprožilo
8. Ročica za sprostitev brusnega traku
9. Prilagodilni gumb prednje ročice
10. Nastavek za sesalnik

EN
FR
DE
ES
IT
NL
PT
DA
SV
FI
NO
RU
PL
CS
HU
RO
LV
LT
ET
HR
SL
SK
BG
UK
TR
EL



11. Vrečka za prah
12. Brusilni trak (60 granulacija)
13. Brusilni trak (100 granulacija)
14. Brusilni trak (120 granulacija)

VZDRŽEVANJE

⚠ OPOZORILO

Izdelka ne puščajte priklopljenega na električno napeljavo, kadar nameščate dele, ga čistite, opravljate vzdrževalna dela ali kadar izdelka ne uporabljate. Če izdelek odklopite, preprečite nenameren zagon, ki bi lahko povzročil hude poškodbe.

⚠ OPOZORILO

Pri servisiranju uporabljajte le originalne Ryobi rezervne dele. Uporaba drugih delov lahko pomeni tveganje ali povzroči škodo na izdelku.

⚠ OPOZORILO

Pred čiščenjem z izdelka vedno snemite brusilni trak. Ak tak neurobite, može spösobiť vážne zranenia.

Pri čiščenju plastičnih delov se izogibajte topilom. Večina vrst plastik se lahko pri uporabi različnih komercialnih topil poškoduje. Za odstranjevanje umazanije, saj in podobnega uporabljajte čisto krpo.

⚠ OPOZORILO

Zavorna tekočina, gorivo, izdelki na osnovi nafte, prodirajoče olje ipd. nikoli ne smejo priti v stik s plastičnimi deli. Kemikalije lahko poškodujejo, oslabijo ali uničijo plastiko.

Električna orodja, ki jih uporabljate na steklenih vlaknih, zidnih ali mavčnih ploščah ter izravnalnih masah se hitreje obrabijo in se lahko hitreje okvarijo, saj odkruški in ostružki steklenih vlaken lahko odrgnejo ležaje, ščetke, komutatorje itd. Ne priporočamo uporabe izdelka za daljše obdobje pri tovrstnih materialih.

Po vsaki uporabi odstranite trak in zbiralnik prahu, če je le-ta pritrjen. Očistite zbiralnik prahu, kot je prikazano v ilustracijah tega priročnika. Temeljito očistite izdelek s krtačko, suho krpo in sesalnikom.

⚠ OPOZORILO

Ne uporabljajte kompresiranega zraka za izpihanje prahu iz izdelka; tako boste preprečili resne poškodbe oči.

Za večjo varnost in zanesljivost mora vsa popravila izvesti pooblaščen servisni center Ryobi.

Vsi ležaji na tej napravi so namazani z dovolj kakovostnega maziva, tako da mazanje do konca življenjske dobe naprave ni več potrebno, če le-to normalno uporabljate.

Zato dodatno mazanje ni potrebno.

ZAŠČITA OKOLJA



Namesto, da napravo zavržete, reciklirajte surovine. Napravo, pribor in embalažo je treba sortirati za okolju prijazno recikliranje.

SIMBOL



Varnostni alarm



Volti



Število vrtljajev brez obremenitve



Vrtljajev ali nihajev na minuto



Enosmerni tok



Skladnost CE



EurAsian oznaka o skladnosti



Ukrajinska oznaka za skladnost



Prosimo, da si pred zagonom naprave pozorno preberete navodila



Nosite zaščito za ušesa



Nosite zaščito za oči



Odpadne električne izdelke ne odlagajte skupaj z ostalimi gospodinjstvi odpadki. Reciklažo opravljajte na predpisanih mestih. Za nasvet se obrnite na lokalne oblasti.

SIMBOLI V PRIROČNIKU



Opomba



Deli ali dodatki so na prodaj ločeno



Odklenjeno



Zaklenjeno

Sledeče signalne besede in pomeni naj bi pojasnili ravni tveganja, ki so povezane s tem izdelkom.

 **NEVARNOST**

Označuje neizogibno nevarno stanje, ki lahko povzroči smrt ali hude poškodbe, če ga ne preprečite.

 **OPOZORILO**

Označuje morebitno nevarno stanje, ki bi lahko povzročilo smrt ali hude poškodbe, če ga ne preprečite.

 **POZOR**

Označuje morebitno nevarno stanje, ki lahko povzroči manjše ali zmerne poškodbe, če se ga ne preprečite.

POZOR

(Brez simbola Varnostni alarm) Označuje stanje, ki lahko privede do poškodovanja lastnine.



Pri navrhovaní tejto leštičky boli najvyššou prioritou bezpečnosť, výkon a spoľahlivosť.

ÚČEL POUŽITIA

Táto leštička je určená na leštenie kovov, dreva, plastu alebo podobných materiálov. Dokáže tiež odstraňovať nátery, laky a koróziu z povrchov.

Je určená na použitie obsluhujúcimi osobami, ktoré si prečítali návod na použitie a porozumeli všetkým rizikám a ohrozeniam. Tento produkt možno používať len v dobre vetraných priestoroch.

Tento produkt je určený len na suché brúsenie. Nepoužívajte tento produkt na mokré brúsenie.

Leštička je určená len na domáce použitie. Tento produkt nepoužívajte žiadnym iným spôsobom, ako je uvedené v účele použitia.

⚠ VAROVANIE

Prach z niektorých farieb, náterov a materiálov môže spôsobiť podráždenie alebo alergické reakcie dýchaciemu systému. Prach z dreva, napríklad, dubu, buku MDF a iných, je karcinogénny. S materiálom obsahujúcim azbest môžu manipulovať alebo ho spracovávať len kvalifikovaní obsluhujúci – špecialisti.

⚠ VAROVANIE

Prečítajte si všetky bezpečnostné výstrahy a pokyny. Ak nerespektujete a inštrukcie, môže to mať za následok úraz elektrickým prúdom, požiar a/alebo vážne zranenie.

Odložte všetky výstrahy a pokyny pre budúce použitie.

VŠEOBECNÉ BEZPEČNOSTNÉ VÝSTRAHY NA PRÁCU NA STOJANE

⚠ VAROVANIE

Prečítajte si všetky bezpečnostné výstrahy a všetky pokyny, týkajúce sa pracovného stojana a elektrického náradia, ktoré má byť namontované. Ak nerespektujete a inštrukcie, môže to mať za následok úraz elektrickým prúdom, požiar a/alebo vážne zranenie.

- **Odložte všetky výstrahy a pokyny pre budúce použitie.**
- Výraz „elektrické náradie“ uvádzaný vo výstrahách sa vzťahuje na elektrické náradie napájané zo siete (s káblom) alebo elektrické náradie napájané akumulátorom (bez kábla).
- **Odpojte zástrčku zo zdroja elektriny alebo vyberte sadu batérií predtým, ako začnete vykonávať akékoľvek nastavenia alebo výmenu príslušenstva.** Náhodné spustenie elektrického náradia býva príčinou pomerne mnohých úrazov.
- **Pred namontovaním náradia pracovný stojan**

správne zostavte. Správne zostavenie je dôležité, aby sa zabránilo riziku pádu.

- **Pred použitím elektrického náradia bezpečne upevnite k pracovnému stojanu.** Posúvanie elektrického náradia na pracovnom stojane môže spôsobiť stratu ovládania.
- **Pracovný stojan umiestnite na pevný, rovný povrch.** Ak sa pracovný stojan môže posúvať alebo rozkývať, elektrické náradie alebo obrobok nie sú stabilne a nedajú sa bezpečne ovládať.
- **Pracovný stojan nepreťažujte a nepoužívajte ho ako rebrík alebo lešenie.** Preťažovanie stojana alebo stúpanie na stojan spôsobí, že sa stojan stane „labilný“ s veľkou pravdepodobnosťou prevrátenia.

LEŠTIČKA – BEZPEČNOSTNÉ VÝSTRAHY

- **Vždy používajte ochranné okuliare sluchu a protiprachovú masku.**
- **Pri brúsení olovených farieb, dreva a kovov treba nosiť plynovú masku aby ste predišli zdýchaniu škodlivých/jedovatých látok zo vzduchu.**
- **Tento nástroj nie je vhodný na mokré leštenie.**
- **Nepoužívajte brúsny pás väčší, ako je potrebné.**

DOPLNKOVÉ BEZPEČNOSTNÉ VÝSTRAHY PRE BATÉRIU

⚠ VAROVANIE

Aby ste zabránili nebezpečenstvu požiaru spôsobeného skratom, poraneniam alebo poškodeniam výrobu, neponárajte náradie, výmennú batériu alebo nabíjačku do kvapalín a postarajte sa o to, aby do zariadení a akumulátorov nevnikli žiadne tekutiny. Korodujúce alebo vodivé kvapaliny, ako je slaná voda, určité chemikálie a bieliace prostriedky alebo výrobky, ktoré obsahujú bielidlo, môžu spôsobiť skrat.

PREPRAVA LÍTIOVÝCH AKUMULÁTOROV

Akumulátor prepravuje v súlade s miestnymi smernicami a nariadeniami.

Keď akumulátory prepravuje tretia strana, dodržiavajte všetky požiadavky na balení a označení. Zabezpečte, aby počas prepravy akumulátory nepišli do kontaktu s inými akumulátormi ani vodivými materiálmi – chráňte obnažené konektory pomocou izolácie, nevodivými viečkami alebo páskou. Neprepravujte akumulátory, ktoré sú prasknuté alebo vytekajú. Ďalšie pokyny zistíte u nasledujúcej spoločnosti.

ZVÝŠKOVÁ RIZIKOVOSŤ

Aj keď sa nástroj používa podľa predpisu, nie je možné eliminovať určité zvyškové rizikové faktory. Pri použití vznikajú nasledujúce riziká a obsluhujúca osoba musí venovať zvláštnu pozornosť, aby nedošlo k nasledovnému:





- Zachytenie alebo kontakt s pohyblivým pásom
Trebá byť veľmi opatrný, najmä pri invertovanej prevádzke, aby nedošlo ku kontaktu prstov a rúk obsluhujúcej osoby s abrazívnym pásom alebo ich zachyteniu valčekmi.
- Kontakt s prachom alebo jeho vdychnutie
Pri používaní produktu sa bude vytvárať značné množstvo prachu a jemných častíc. Pri práci s produktom používajte zariadenie na zber prachu alebo vysávač na odsávanie prachu. Používajte dýchacie masky obsahujúce filtre vhodné pre obrábané materiály. Zabezpečte primerané vetranie pracoviska. Na pracovisku nejedzte, nepite ani nefajčite.
- Riziko výbuchu
Nahromadený jemný prach sa môže vzniesť a spôsobiť požiar. Na pracovisku udržiavajte čistotu a odstraňujte prach. Systémy na zachytávanie prachu a podtlakové vysávanie je potrebné pravidelne a dôkladne čistiť. Pri leštení kovov sa môžu tvoriť horúce iskry.
- hluk a vibrácie
Pri práci s produktom používajte ochranu zraku. Nepoužívajte produkt príliš dlhé časové obdobia.

OBMEDZENIE RIZIKA

Boli hlásené prípady, kedy vibrácie z ručných nástrojov u niektorých osôb prispeli k stavu nazývanému Raynaudov syndróm. K symptómom patria: trpnutie, znecitlivenie a blednutie prstov, zvyčajne zjavné po vystavení zime. Je známe, že k vývoju týchto symptómov prispievajú: dedičné faktory, vystavovanie zime a vlhkosti, diéta, fajčenie a pracovné návyky. Opatrenia, ktoré môže vykonať obsluhujúca osoba na možné zníženie účinkov vibrácií:

- V studenom počasí udržiavajte svoje telo v teple. Pri práci so zariadením noste rukavice, aby ste mali ruky a zápästia v teple. Boli hlásené prípady, kedy hlavným faktorom prispievajúcim k Raynaudovmu syndrómu bolo studené počasie.
- Po každom určitom časovom úseku prevádzky cvičte, aby ste zlepšili krvný obeh.
- Počas práce si dajte časté prestávky. Obmedzte počet vystavení za deň.

Ak zistíte ktorýkoľvek zo symptómov tohto stavu, okamžite prerušte používanie zariadenia, navštívte svojho lekára a povedzte mu o symptómoch.

PREVÁDZKA

- Nepoužívajte produkt bez správne vedeného a nasadeného pásu. Nesprávne vedený pás sa môže zošmyknúť z produktu a spôsobiť osobné poranenie alebo poškodenie leštičky.
- Zaisťte obrobok pomocou zveráka alebo svorky k vhodnému pracovnému stolu. To zabráni vymršteniu obrobku.
- Na držanie a ovládanie produktu oboma rukami použite pribalené rukoväte.

- Výrobok nepreťažujte. Používajte vhodný produkt pre danú aplikáciu. Správny produkt splní svoju úlohu lepšie a bezpečnejšie pri rýchlosti, na ktorú je určený.
- Na nástroj nevyvíjajte prílišný prítlak. Nechajte produkt, nech vyvíja správny prítlak a rukami vedte leštičku. Nadmerný tlak preťaží produkt a poškodí motor. Aplikovaním väčšieho tlaku sa neodstráni viac materiálu a namiesto toho sa účinnosť leštenia zníži.
- Leštiaci pás vymieňajte často, produkt si tak udrží schopnosť účinne odstraňovať materiál.
- Spustíte produkt pomocou hlavného spínača a počkajte, kým pás nedosiahne správnu rýchlosť. Potom spustíte pás na obrobok. Držte produkt bezpečne oboma rukami, lebo pohyb pásu bude posúvať produkt smerom dopredu.
- Vyberte pás správnej veľkosti a vhodnej drsnosti pre danú úlohu. Ak chcete odstraňovať viac materiálu, používajte pásy s nižším číslom hrubozrnnosti a na odstraňovanie menšieho množstva materiálu a jemnejšiu povrchovú úpravu pásy s vyšším číslom hrubozrnnosti. Ak sa pás poškodí, upchá sutinou alebo opotrebuje, vymeňte ho.
- Je normálne leštiť a posúvať produkt tam a späť pozdĺž vlákien materiálu. Leštenie kolmo na vlákna funguje, ale výsledkom bude poškriabaný a poškodený povrch.

VAROVANIE

Prach z niektorých farieb, náterov a materiálov môže spôsobiť podráždenie alebo alergické reakcie dýchaciu sústavu. Prach z dreva, napríklad, dubu, buku MDF a iných, je karcinogénny. S materiálom obsahujúcim azbest môžu manipulovať alebo ho spracovávať len kvalifikovaní obsluhujúci – špecialisti.

- Pripojte lapač prachu alebo pripojte port na prach k vysávaciu zariadeniu, znížite tak riziká spojené s prachovými časticami.
- Všetky osoby na pracovisku alebo v blízkosti musia používať protiprachové masky, ktoré poskytujú primeranú ochranu.
- Pri práci s výrobkami vždy noste bezpečnostné okuliare s bočnými chráničmi.

VAROVANIE

Dlhodobé používanie nástroja môže spôsobiť alebo zhoršiť poranenia. Pri používaní nástroja príliš dlhé obdobia si vždy dajte pravidelné prestávky.

OBOZNÁMTE SA S VAŠÍM PRODUKTOM

Vid' strana 107.

1. Predná rukoväť
2. Blokovacie tlačidlo
3. Hlavná rukoväť
4. Kanál na prach
5. Otvor na akumulátory



6. Nastavovací gombík brúsneho pásu
7. Spínač
8. Uvoľňovacia páčka brúsneho pásu
9. Nastavovacie tlačidlo prednej rukoväte
10. Adaptér na odsávanie
11. Vrecko na prach
12. Leštiaci pás (zrmitosť 60)
13. Leštiaci pás (zrmitosť 100)
14. Leštiaci pás (zrmitosť 120)

ÚDRŽBA

⚠ VAROVANIE

Tento produkt sa nikdy nesmie pripájať do elektrickej siete, keď montujete diely, čistíte ho alebo vykonávate údržbu, alebo keď produkt nepoužívate. Odpojením produktu zabránite náhodnému spusteniu, ktoré by mohlo spôsobiť závažné poranenie.

⚠ VAROVANIE

Pri servise používajte len originálne náhradné diely Ryobi. Použitie iných dielov môže predstavovať riziko alebo spôsobiť poškodenie produktu.

⚠ VAROVANIE

Pred čistením vždy z výrobku demontujte brúsny pás. Če tega ne storíte, lahko príde do resne telesne poškodbe.

Vyhýbajte sa použitiu rozpúšťadiel pri čistení plastových častí. Večina plastických materialov je občutlivá na različne vrste komerčialno dostupnih topil in jih z njihovo uporabo lahko poškodujemo. Na odstránenie špiny, uhlíkového prachu a pod. použite čisté tkaniny.

⚠ VAROVANIE

Dbajte na to, aby do kontaktu s plastovými dielmi nikdy neprišli do kontaktu brzďové kvapaliny, benzín, ropné produkty, prenikavé oleje a pod. Chemikálie môžu poškodiť, oslabiť či zničiť plast.

Elektrické náradie, ktoré sa používa na prácu so sklenými vláknami, sáďrokkartónovými a obkladovými doskami, majú tendenciu sa rýchlejšie opotrebovať a prednostne sa poškodiť. Prach z týchto materiálov pôsobí na časti náradia ako sú ozubené kolesá, uhlíky, vypínače, veľmi abrazívne. Neodporúčame používanie tohto produktu na dlhšie práce na týchto typoch materiálov.

Po každom použití odstráňte pás a lapač prach, ak je nasadený. Lapač prachu vyčistíte podľa vyobrazení v tejto príručke. Produkt dôkladne vyčistíte kefkou, suchou tkaninou a vysávačom.

⚠ VAROVANIE

Na odkukovanie prachu z produktu nepoužívajte stlačený vzduch, aby nedošlo k závažnému poraneniu zraku.

Pre vyššiu bezpečnosť a spoľahlivosť sa musia všetky opravy vykonávať v autorizovanom servisnom centre Ryobi.

Všetky ložiská v nástroji sa mažu dostatočným množstvom mazadla s vysokou kvalitou, kvôli dlhšej životnosti jednotky za normálnych prevádzkových podmienok. Pretonie je potrebné žiadne ďalšie mazanie.

OCHRANA ŽIVOTNÉHO PROSTREDIA



Surové materiály recyklujte, nelikvidujte ich ako odpad. Stroj, príslušenstvo a obaly by sa mali triedene recyklovať spôsobom šetrným k životnému prostrediu.

ZNAČKY



Výstražná značka



Napätie



Rýchlosť bez záťaže



Počet otáčok za minútu



Jednosmerný prúd



CE konformita



Euroázijská značka zhody



Ukrajinské označenie zhody



Pred zapnutím zariadenia si prosím prečítajte inštrukcie



Noste ochranu sluchu



Noste ochranu zraku



Opotrebované elektrické zariadenia by ste nemali odhadzovať do domového odpadu. Prosíme o recykláciu ak je možné. Kontaktujte miestne úrady, alebo predajcu pre viac informácií ohľadom ekologického spracovania.

SYMBOLY V NÁVODE



Poznámka



Diely alebo príslušenstvo predávané samostatne



Odomknuté



Zamknuté

Nasledujúce značky a významy vysvetľujú úroveň rizika spojeným s výrobkom.



NEBEZPEČENSTVO

Označuje bezprostredne nebezpečnú situáciu, ktorá, ak jej nepredídete, spôsobí usmrtenie alebo vážne poranenie.



VAROVANIE

Označuje potenciálne nebezpečnú situáciu, ktorá, ak jej nepredídete, môže spôsobiť usmrtenie alebo vážne poranenie.



UPOZORNENIE

Označuje potenciálne nebezpečnú situáciu, ktorá, ak jej nepredídete, môže spôsobiť menšie alebo stredne závažné poranenie.

UPOZORNENIE

(Bez výstražnej značky s výkričníkom) Označuje situáciu, ktorá môže zapríčiniť škody na majetku.

Безопасността, работните характеристики и надеждността имат най-висок приоритет при проектирането на Вашата лентова шлифовъчна машина.

ПРЕДНАЗНАЧЕНИЕ

Тази лентова шлифовъчна машина е предназначена за шлифване на метал, дърво, пластмаса или подобни материали. Тя също може да премахва бои, лакове и корозия от повърхности.

Продуктът е предназначен да се използва от възрастни оператори, които са прочели ръководството с инструкции и разбират рисковете и опасностите. Продуктът трябва да се използва само на добре вентилирани места.

Продуктът е проектиран само за сухо шлифване. Не използвайте за мокро шлифване.

Продуктът е предназначен само за потребителска употреба. Не използвайте продукта по начини, различни от посочените.

⚠ ПРЕДУПРЕЖДЕНИЕ

Прах от определени бои, покрития и материали може да причини дразнене или алергични реакции на дихателната система. Прахът от дървесина, напр. дъб, бук, MDF и др., е канцероген. Материали, съдържащи азбест, трябва да се обработват само от квалифицирани, специализирани оператори.

⚠ ПРЕДУПРЕЖДЕНИЕ

Прочетете всички предупреждения относно безопасността и всички инструкции. Неспазването на предупрежденията и инструкциите може да доведе до токов удар, пожар и/или сериозни наранявания.

Съхранявайте всички предупреждения и инструкции за бъдещи справки.

ОБЩИ ПРЕДУПРЕЖДЕНИЯ ЗА БЕЗОПАСНОСТ НА РАБОТНАТА МАСА

⚠ ПРЕДУПРЕЖДЕНИЕ

Прочете всички предупреждения за безопасност и всички инструкции, предоставени с работната маса и електрическия инструмент, който трябва да бъде монтиран. Неспазването на предупрежденията и инструкциите може да доведе до токов удар, пожар и/или сериозни наранявания.

- Съхранявайте всички предупреждения и инструкции за бъдещи справки.
- Терминът "електрически инструмент" в предупрежденията се отнася за вашия инструмент - със захранване от електрическата мрежа (с кабел)

или на батерия (безжичен).

- **Изключете щепсела от захранващия източник и/или акумулаторната батерия от електрическия инструмент преди извършване на каквито и да е настройки или смяна на принадлежности.** Случайно стартиране на електрическия инструмент е причина за някои нещастни случаи.
- **Сглобете правилно работната маса преди монтажа на инструмента.** Правилното сглобяване е важно, за да се предотврати опасността от срутване.
- **Внимателно закрепете електрическия инструмент към работната маса преди използване.** Преместване на електрическия инструмент по работната маса може да причини загуба на контрол.
- **Разположете работната маса на здрава, плоска и хоризонтална повърхност.** Когато работната маса може да се премести или разклати, електрическият инструмент или детайлът не могат да бъдат стабилно и безопасно контролирани.
- **Не претоварвайте работната маса и не я използвайте като стълба или скеле.** Претоварване или стоене върху работната маса води до неустойчивост на масата, като има вероятност тя да се преобърне.

ПРЕДУПРЕЖДЕНИЯ ЗА БЕЗОПАСНОСТ НА ЛЕНТОВАТА ШЛИФОВЪЧНА МАШИНА

- **Винаги носете предпазни очила и противопрахова маска.**
- **Трябва да се носи подходящ дихателен респиратор, докато се шлифова оловна боя, някои видове дърво и метал, за да се избегне вдихването на вреден/токсичен прах или въздух.**
- **Продуктът не е подходящ за мокро шлифване.**
- **Не използвайте шкурка, по-голяма от необходимото.**

ДОПЪЛНИТЕЛНИ ПРЕДУПРЕЖДЕНИЯ ЗА БЕЗОПАСНОСТ ЗА БАТЕРИЯТА

⚠ ПРЕДУПРЕЖДЕНИЕ

За да избегнете опасността от пожар, предизвикана от късо съединение, както и нараняванията и повредите на продукта, не потапяйте инструмента, сменяемата акумулаторна батерия или зарядното устройство в течности и се погрижете в уредите и акумулаторните батерии да не попадат течности. Течностите, предизвикващи корозия или провеждащи електричество, като солена вода, определени химикали, избелващи вещества или продукти, съдържащи избелващи вещества, могат да предизвикат късо съединение.



ТРАНСПОРТИРАНЕ НА ЛИТИЕВИ БАТЕРИИ

Транспортирайте батериите в съответствие с местните и национални постановления и разпоредби.

Спазвайте всички специални изисквания за пакетиране и етикетирание, когато транспортирате батерии чрез трето лице. Уверете се, че батериите не влизат в контакт с други батерии или проводими материали по време на транспортиране, като предпазите откритите конектори с изолация, непроводими капачета или лента. Не транспортирайте батерии, които са спукани или текат. Свържете се със следната компания за допълнителен съвет.

НЕПРЕДВИДЕНИ РИСКОВЕ.

Дори когато продуктът се използва по предназначение, е невъзможно напълно да се ограничи влиянието на определени рискови фактори. Могат да възникнат следните опасности и операторът трябва да обърне особено внимание, за да ги избегне:

- **Хващане/контакт с движещата се лента**
Трябва да се обърне допълнително внимание, особено по време на работа в обърнато положение, за предотвратяване влизането в контакт на пръстите и ръцете на оператора с абразивната лента или защипване от ролките.
- **Контакт или вдишване на прах**
При използване на изделието ще се създава много прах и фини прахови частици. Използвайте устройството за събиране на прах или свържете смукателно устройство за извличане на прах, когато работите с продукта. Носете маски за защита на дихателните пътища, които съдържат филтри, подходящи за материалите, които ще бъдат обработвани. Осигурете подходяща вентилация на работното място. Не употребявайте храни, напитки или цигари в зоната на работа.
- **Опасност от експлозия**
Акумулираният фин прах може да се възпламени и да причини пожар. Пазете работната зона чиста и свободна от прах. Системите за събиране и вакуумно изтегляне на прах трябва да се почистват редовно и старателно. При шлифоване на метал, може да се получат горещи искри.
- **Шум и вибрации**
Винаги носете защитни средства за очите, когато работите с продукта. Не работете с продукта за продължителни периоди от време.

ΜΕΙΩΣΗ ΚΙΝΔΥΝΟΥ

Известно е, че вибрациите, произвеждани от ръчни инструменти може да предизвикат у някои индивиди заболяване, наречено Синдром на Рейнолд (Raynaud's Syndrome). Симптомите може да включват изтръпване, схващане и избледняване на пръстите, обикновено се забелязват при излагане на студ. Смята се, че наследствените фактори, излагането на студ и влага,

диетите, пушенето и някои работни навици допринасят за развитието на тези симптоми. Могат да се вземат някои мерки, които могат да се предприемат от оператора, за да се намалят ефектите от вибрациите:

- Поддържайте телесната температура в студено време. Когато работите с продукта, носете ръкавици, за да поддържате ръцете и китките си топли. Според изследванията главният фактор, допринасящ за развитието на Raynaud's Syndrome, е студеното време.
- Правете упражнения за активизиране на кръвообращението след всеки работен цикъл.
- Редовно излизайте в почивка. Ограничете излагането на вибрации на ден.

При поява на някои от симптомите на това заболяване, незабавно прекратете употребата на инструмента и посетете лекар.

РАБОТА

- Не работете с изделието без правилно направлявана и монтирана лента. Неправилно направлявана лента може да изскочи и да причини телесна повреда или щети на шлифовъчната машина.
- Закрепете детайла с менгеме или скоба към подходяща работна маса. Това спомага за предотвратяване на това детайлът да стане хвърлен предмет.
- Използвайте предоставените дръжки и управлявайте изделието с двете ръце.
- Не насилвайте продукта. Използвайте правилния инструмент в съответствие с конкретното приложение. Правилно подобраният електрически инструмент ще свърши работата по-добре и по-безопасно в зададения от производителя диапазон на натоварване.
- Не прилагайте прекомерен натиск към изделието. Оставете тежестта на изделието да приложи правилния натиск и използвайте ръцете си, за да водите шлифовъчната машина. Прекомерен натиск ще претовари изделието и ще повреди електродвигателя. Прилагането на повече натиск няма да сменя повече материал и вместо това ще намали ефективността на шлифоването.
- Сменяйте често шлифовъчната лента, за да поддържате способността на изделието ефективно да сменя материал.
- Стартирайте изделието с помощта на спусъчния превключвател и позволете лентата да получи правилната скорост. След това снижете лентата към детайла. Дръжте здраво изделието с две ръце, защото движението на лентата ще движи изделието напред.
- Изберете лента с правилен размер и подходяща грапавост за задачата. Използвайте ленти с по-малък номер на зърнистост за снемане на повече материал; по-голям номер на зърнистост



за снемане на по-малко материал и за по-фина окончателна обработка. Заменете лентата, ако се повреди, задръсти се с отпадъци или е износена.

- Нормално е да се шлифова и движи изделието напред и назад по посока на текстурата на материала. Шлифование напречно на текстурата ще работи, но ще доведе до надраскана и повредена повърхност.

⚠ ПРЕДУПРЕЖДЕНИЕ

Прах от определени бои, покрития и материали може да причини дразнене или алергични реакции на дихателната система. Прахът от дървесина, напр. дъб, бук, MDF и др., е канцероген. Материали, съдържащи азбест, трябва да се обработват само от квалифицирани, специализирани оператори.

- Използвайте колектор за прах или свържете отвора за прах към вакуумно устройство, за да намалите опасностите, свързани с праховите частици.
- Всички лица в рамките на работната област или в близост до нея трябва да носят прахови маски, които предлагат подходяща защита.
- Винаги носете предпазни очила или маска със странични панели, когато работите с електрически инструменти.

⚠ ПРЕДУПРЕЖДЕНИЕ

Продължителното използване на инструмента може да доведе до наранявания или влошаване. При използване на инструмента за продължителни периоди от време правете чести почивки.

ОПОЗНАЙТЕ ВАШИЯ ПРОДУКТ

Вж. страница 107.

1. Предна ръкохватка
2. Бутон за заключване
3. Основно подаване
4. Отвор за прах
5. Гнездо за батерията
6. Копче за настройка на шлифовъчната лента
7. Спусък
8. Лост за освобождаване на шлифовъчната лента
9. Бутон за регулиране на предната ръкохватка
10. Адаптер за вакуума
11. Торба за прах
12. Шлифовъчна лента (60 зърна)
13. Шлифовъчна лента (100 зърна)
14. Шлифовъчна лента (120 зърна)

ПОДДРЪЖКА

⚠ ПРЕДУПРЕЖДЕНИЕ

Изделието никога не трябва бъде свързано към електрозахранването, когато сглобявате части, почиствате, извършвате техническо обслужване, или когато изделието не се използва. Изключването на продукта от захранването ще предотврати случайно стартиране, което би могло да причини сериозни наранявания.

⚠ ПРЕДУПРЕЖДЕНИЕ

При ремонт използвайте само идентични резервни части на Ryobi. Използването на други части може да ви постави в опасност или да повреди продукта.

⚠ ПРЕДУПРЕЖДЕНИЕ

Преди почистване винаги сваляйте шлифовъчната лента от продукта. Несъобразяването с това предупреждение може да доведе до сериозно физическо нараняване.

Избягвайте използването на разтворители при почистването на пластмасовите части. Повечето пластмаси са чувствителни към различни видове разтворители и може да се повредят при използването на такива. Използвайте меки кърпи за отстраняване на замърсявания, въглероден прах и др.

⚠ ПРЕДУПРЕЖДЕНИЕ

В никакъв случай не позволявайте пластмасовите части да влизат в контакт със спирални течности, нефтени продукти, проникващи масла и т.н. Те съдържат химически вещества, които могат да повредят, отслабят или разрушат пластмасата.

Електрически инструменти, които се използват върху материали от фибростъкло, гипскартон, шпакловъчни съединения или мазилка са подложени на ускорено износване и могат да бъдат повредени преждевременно, тъй като пукнатините и ръбовете на фибростъклото са силно абразивни за лагери, четки, колектори и др. Не препоръчваме използването на продукта за продължителни периоди от време върху тези видове материали.

След всяко използване сваляйте лентата и колектора за прах, ако е монтиран. Почиствайте колектора за прах, както е показано в илюстрациите в това ръководство. Почиствайте напълно изделието с четка, суха кърпа и прахосмукачка.

⚠ ПРЕДУПРЕЖДЕНИЕ

Не използвайте състен въздух, за да издухате праха от изделието, за да предотвратите сериозни наранявания на очите.

За по-голяма безопасност и надеждност всички ремонти трябва да се извършват от оторизиран сервиз на Ryobi.

Всички лагери в този продукт за смазани с достатъчно количество висококачествено масло, което трябва да стигне за целия експлоатационен живот на инструмента при нормални работни условия. Затова не е необходимо допълнително смазване.

ОПАЗВАНЕ НА ОКОЛНАТА СРЕДА



Рециклиране на суровини, вместо за обезвреждане като отпадък. Машината, допълнителните приспособления и опаковките трябва да бъдат подложени на подходяща преработка за оползотворяване на съдържащите се в тях вторични суровини.

ЗНАК



Предупреждение относно безопасността

V

Напрежение

n_o

Скорост без натоварване

min⁻¹

Обороти или възвратно-постъпателни движения в минута



Постоянен ток



ЕС Съответствие



EurAsian знак за съответствие



Украински знак за съответствие



Прочетете инструкциите внимателно, преди да стартирате машината.



Носете антифони



Носете защитни средства за очи



Електрическите уреди не трябва да се изхвърлят заедно с битовите отпадъци. Рециклирайте, където има възможност. Обърнете се за съвет по рециклирането към местните власти или разпространителите.

СИМВОЛИ В НАСТОЯЩОТО РЪКОВОДСТВО



Забележка



Частите или принадлежностите се продават отделно



Отключване



Ключалка

Следните сигнални думи и техните съответни значения обясняват нивата на опасност, свързани с употребата на този продукт:

⚠ ОПАСНОСТ

Указва неминуемо опасна ситуация, която ако не бъде избегната, ще доведе до сериозни наранявания или смърт.

⚠ ПРЕДУПРЕЖДЕНИЕ

Указва потенциално опасна ситуация, която ако не бъде избегната, може да доведе до сериозни наранявания или смърт.

⚠ ВНИМАНИЕ

Указва потенциално опасна ситуация, която ако не бъде избегната, може да доведе до дребни или средни наранявания.

ВНИМАНИЕ

(Без предупредителен символ за безопасност) Указва ситуация, която може да доведе до имуществени щети.

Безпеці, продуктивності і надійності наданий вищий пріоритет в дизайні вашої стрічко-шліфувальної машини.

ПРИЗНАЧЕННЯ

Ця стрічко-шліфувальна машина призначена для шліфування металу, дерева, пластику або аналогічних матеріалів. Вона також може видалити фарбу, лак і корозії з поверхні.

Вона призначена для використання операторами, які прочитали інструкцію і зрозуміли ризики і небезпеки. Продукт повинен бути використаний тільки в добре провітрюваних приміщеннях.

Продукт призначений тільки для сухого шліфування. Не використовуйте продукт для вологого шліфування.

Шліфувальний ремінь призначений тільки для побутового використання. Для довбання та свердлення кам'яної кладки, може бути використаний режим молотка.

⚠ ПОПЕРЕДЖЕННЯ

Пил від деяких фарб, покриттів і матеріалів може викликати подразнення або алергічні реакції дихальної системи. Пил від дерев, таких як дуб, бук, МДФ та інших подібних матеріалів може бути канцерогенним. Матеріали, що містять азбест повинні бути опрацьовані або оброблятися тільки кваліфікованими операторами-фахівцями.

⚠ ПОПЕРЕДЖЕННЯ

Читайте всі правила безпеки та інструкції. Недотримання попереджень та інструкцій може призвести до ураження електричним струмом, пожежі та / або серйозної травми.

Збережіть всі інструкції і вказівки для майбутнього використання.

ТЕХНІКА БЕЗПЕКИ ПРИ КОРИСТУВАННІ РОБОЧИМ ВЕРСТАТОМ

⚠ ПОПЕРЕДЖЕННЯ

Прочитайте всі правила безпеки та інструкції, що додаються до робочого верстату та електроінструменту, який на ньому монтуватиметься. Недотримання попереджень та інструкцій може призвести до ураження електричним струмом, пожежі та / або серйозної травми.

- Збережіть всі інструкції і вказівки для майбутнього використання.
- Термін «електроінструмент» «в попередженнях відноситься до Вашого мережевого (з кабелем) електроінструменту або з батарейним живленням (бездротового) електроінструменту.

- Перед здійсненням будь-яких налаштувань або заміни аксесуарів, від'єднайте вилку від джерела живлення та/або акумуляторну батарею від електроінструменту. Випадковий запуск електроінструменту може стати причиною нещасного випадку.
- Перед монтажем приладу, правильно зберіть робочий верстат. Правильна збірка має важливе значення для запобігання ризику нештатної ситуації.
- Перед використанням, надійно закріпіть електроінструмент на робочому верстаті. Зсув електроінструменту на робочому верстаті може призвести до втрати контролю.
- Помістіть робочий верстат на твердій, плоскій та рівній поверхні. Неможливо забезпечити надійний та безпечний контроль над електроінструментом та заготовкою, якщо існує імовірність зсуву або хитання робочого верстату.
- Не перевантажуйте робочий верстат та не використовуйте його в якості драбини або риштування. Перевантаження або стояння на робочому верстаті може призвести до нестійкості та імовірного перекидання.

ПОПЕРЕДЖЕННЯ БЕЗПЕКИ СТРІЧКО-ШЛІФУВАЛЬНОЇ МАШИНИ

- Завжди надягайте захисні окуляри і респіратор.
- Придатний дихальний респіратор повинен одягатися під час шліфування свинцевої фарби, деякої деревини і металу, щоб уникнути вдихання шкідливого / токсичного пилу або повітря.
- Продукт не призначений для мокрого шліфування.
- Не використовуйте шліфувальну стрічку більшу, ніж потрібно.

ДОДАТКОВІ ПОПЕРЕДЖЕННЯ З ТЕХНІКИ БЕЗПЕКИ ЩОДО ВИКОРИСТАННЯ АКУМУЛЯТОРІВ

⚠ ПОПЕРЕДЖЕННЯ

Для запобігання небезпеці пожежі в результаті короткого замикання, травмам і пошкодженню виробів не занурюйте інструмент, змінний акумулятор або зарядний пристрій у рідину і не допускайте потрапляння рідини всередину пристроїв або акумуляторів. Корозійні і струмопровідні рідини, такі як солоний розчин, певні хімікати, вибілювальні засоби або продукти, що їх містять, можуть призвести до короткого замикання.



ТРАНСПОРТУВАННЯ ЛІТІСВИХ БАТАРЕЙ

Транспортуйте батарею відповідно до місцевих та національних положень та правил.

Дотримуйтеся усіх спеціальних вимог щодо пакування та маркування при транспортуванні батареї третьою стороною. Переконайтеся, що батареї не можуть вступати в контакт з іншими батареями або провідними матеріалами при транспортуванні, захищаючи відкриті роз'єми ізоляційними непроводящими кришками або стрічкою. Не перевозити батареї, які мають тріщини або протечки. Консультуйтеся з експедиторською компанією для подальших консультацій.

ЗАЛИШКОВІ РИЗИКИ

Навіть коли продукт використовується як написано, залишається неможливим повністю усунути деякі залишкові чинники ризику. Наступні небезпеки можуть виникнути і оператор повинен звернути особливу увагу, щоб уникнути наступного:

- захоплення або контакт з рухомою стрічкою
Додатково необхідно проявляти обережність, особливо в інвертному режимі, щоб запобігти пальцям і рукам оператора від контакту з абразивною стрічкою або бути захопленими валками.
- Контакт з, або вдихання пилу
Використання виробу буде спричинити значний пил та маленькі частинки. Використовуйте пристрій для збору пилу або підключіть пиловидалюючий вакуумний прилад при роботі з продуктом. Носіть респіраторні захисні маски, що містять фільтри, відповідні до обробляємих матеріалів. Забезпечте достатню вентиляцію на робочому місці. Не їжте, не пийте і не паліть в робочій зоні.
- Ризик вибуху
Накопичений дрібний пил може спалахнути і викликати пожежу. Тримайте робоче місце в чистоті і вільним від пилу. Пилозбірник і системи вакуумної екстракції слід регулярно і ретельно чистити. При шліфуванні металу, гарячі іскри можуть вироблятися.
- шум і вібрація
Користуйтеся засобами захисту слуху при роботі продукту. Не використовуйте продукт протягом тривалого періоду часу.

ЗНИЖЕННЯ РИЗИКУ

Повідомлялося, що вібрації від ручних інструментів у певних осіб можуть сприяти стану, який називається синдромом Рейно. Симптоми можуть включати поколювання, оніміння і збліднення пальців, як правило, очевидні при впливі холоду. Спадкові фактори, вплив холоду і вогкості, дієта, куріння і робоча практика, всі ці чинники роблять свій внесок у розвиток цих симптомів. Ці заходи можуть бути прийняті оператором, щоб можливо зменшити вплив вібрації:

- Тримайте тіло в теплі в холодну погоду. При експлуатації приладу, одягайте рукавички, щоб тримати руки і зап'ястя у теплі. Повідомлялося, що холодна погода є основним чинником, що сприяє синдрому Рейно.
- Після кожного періоду роботи, здійснійте вправи для підвищення кровообігу.
- Робіть часті перерви в роботі. Зробіть обмеження кількості впливу на день.

Якщо ви відчуваєте будь-які з симптомів цього стану, негайно припиніть використання і зверніться до лікаря з ціми симптомами.

ФУНКЦІОНУВАННЯ

- Не використовуйте продукт, який не правильно встановлений і обладнаний ремнем. Неправильно встановлений ремень може відірватися від продукту і привести до травмування або пошкодження шліфувальної машини.
- Закріпіть заготовку з лещатами або затискачем на підходящому верстаті. Це допомагає запобігти, щоб заготовка стала кинутим об'єктом.
- Використовуйте поставляемі ручки, щоб утримувати і контролювати продукт з обома руками.
- Не перевантажуйте електроінструмент. Використовуйте правильний продукт для вашого використання. Правильний продукт буде робити роботу краще і безпечніше при швидкості, для якої він призначений.
- Не прикладайте надлишкового тиску на продукт. Нехай вага продукту застосовує правильний тиск і використовуйте свої руки, щоб направляти шліфувальну машину. Надмірний тиск перенавантажуватиме продукт і пошкодить двигун. Застосування більшого тиску не буде видаляти більшу кількість матеріалу і знизить ефективність шліфування.
- Змінійте шліфувальні стрічки часто, щоб підтримувати здатність продукту ефективно видаляти матеріал.
- Запустіть продукт за допомогою кнопкового вимикача і дозвольте реміню отримати правильну швидкість. Потім опустіть ремень на виріб. Утримуйте продукт надійно обома руками, так як рух стрічки буде просувати продукт вперед.
- Виберіть ремень правильного розміру і відповідної шорсткості для виконання цього завдання. Використовуйте ремені з меншим номером зернистості для видалення більше матеріалу; вищий номер зернистості для видалення менше матеріалу і для більш тонкої обробки. Замініть стрічку, якщо вона пошкоджена, забита сміттям, або зношена.
- Це нормально, щоб шліфувати і переміщати пристрій вперед і назад вздовж волокон матеріалу. Шліфування поперек волокон спрацює, але це призводить до подряпання і пошкодження поверхні.



⚠ ПОПЕРЕДЖЕННЯ

Пил від деяких фарб, покриттів і матеріалів може викликати подразнення або алергічні реакції дихальної системи. Пил від дерев, таких як дуб, бук, МДФ та інших подібних матеріалів може бути канцерогенним. Матеріали, що містять азбест повинні бути опрацьовані або оброблятися тільки кваліфікованими операторами-фахівцями.

- Використовуйте пилозбірник або підключіть пиловою отвір до вакуумного пристрою, щоб зменшити ризики, пов'язані з частинками пилу.
- Всі особи, що знаходяться в робочій зоні, або поруч повинні носити респиратори, які пропонують відповідний захист.
- Завжди надягайте захисні окуляри або захисні окуляри з бічними щитками при експлуатації продукту.

⚠ ПОПЕРЕДЖЕННЯ

Тривале використання інструменту може викликати або посилити травми. При використанні інструменту протягом тривалого періоду, робіть регулярні перерви.

ЗНАЙТЕ СВІЙ ПРОДУКТ.

Див. стор. 107.

1. Передня рукоятка
2. Блокування за допомогою кнопки
3. Основна ручка
4. Отвір для пилу
5. Гніздо для акумулятора
6. Ручка регулювання шліфувальної стрічки
7. Клямка
8. Важіль від'єднання шліфувальної стрічки
9. Кнопка регулювання передньої рукоятки
10. Вакуумний перехідник
11. Мішок для пилу
12. шліфувальний ремінь (зернистість 60)
13. шліфувальний ремінь (зернистість 100)
14. шліфувальний ремінь (зернистість 120)

ОБСЛУГОВУВАННЯ

⚠ ПОПЕРЕДЖЕННЯ

Продукт не повинен бути підключений до джерела живлення, коли ви збираєте деталі, чистите, проводите технічне обслуговування, або коли продукт не використовується. Відключення продукту допоможе уникнути випадкового запуску, який може призвести до серйозних травм.

⚠ ПОПЕРЕДЖЕННЯ

При обслуговуванні використовуйте тільки оригінальні запасні частини виробника Ryobi. Використання будь-яких інших деталей може створити небезпеку або спричинити пошкодження продукту.

⚠ ПОПЕРЕДЖЕННЯ

Перед чистою завжди видаліть шліфувальну стрічку з продукту. Невиконання цієї вимоги може призвести до серйозних травм.

Не використовуйте розчинники для очищення пластмасових деталей. Більшість пластмас вразливі до різних видів комерційних розчинників і може бути пошкоджена їх використанням. Використовуйте чисті ганчірки для видалення бруду і вугільного пилу.

⚠ ПОПЕРЕДЖЕННЯ

Ніколи не дозволяйте гальмієвій рідині, бензину, продуктам на основі нафти, і проникаючим маслам вступати в контакт з пластиковими деталями. Вони містять хімічні речовини, які можуть зашкодити, послабити або знищити пластик.

Електричні інструменти, використовувані на скловолоконному матеріалі, стінних панелях, мастиках або штукатурці підлягають прискореному зносу і можлива їх передчасна відмова, бо скловолоконна стружка і шліфування є дуже абразивним для підшипників, щіток, комутаторів і т.д. Отже, ми не рекомендуємо використовувати продукт для тривалої роботи з цими видами матеріалів.

Після кожного використання, зніміть ремінь і пилозбірник, якщо він встановлений. Очистіть пилозбірник, як показано на ілюстраціях у цьому посібнику. Очистіть продукт ретельно щіткою, сухою тканиною і пилососом.


⚠ ПОПЕРЕДЖЕННЯ

Не використовуйте стиснене повітря, щоб здути пил з продукту, щоб запобігти серйозним травмам очей.


Для більшої безпеки і надійності, всі ремонтні роботи повинні виконуватися уповноваженим Ryobi сервісним центром.

Всі підшипники в продукті змащені достатньою кількістю високоякісного мастила для всього терміну служби продукту при нормальних умовах експлуатації. Таким чином, додаткове змащення не потрібно.

ЗАХИСТ НАВКОЛИШНЬОГО СЕРЕДОВИЩА.

 Переробляйте сировину замість утилізації в якості відходів. Машини, обладнання та упаковка повинні бути відсортовані для дружньої для навколишнього середовища утилізації.


СИМВОЛ


 Попередження безпеки

V Вольти


n_o Швидкість без навантаження


min⁻¹ Оберти або зворотно-поступальні рухи у хвилину


 Постійний струм


 CE відповідність


 Євразійський знак відповідності

 Український знак відповідності

 Будь ласка, уважно прочитайте інструкцію перед запуском продукту.


 Носіть захист слуху

 Носіть захист для очей

 Відходи електротехнічної продукції не слід викидати разом із побутовими відходами. Будь ласка, переробляйте там, де наявне устаткування. Перевірте з вашим місцевим органом влади або продавцем для консультацій з приводу переробки.

СИМВОЛИ В ЦЬОЇ ІНСТРУКЦІЇ З ЕКСПЛУАТАЦІЇ

 Примітка

 Запасні деталі або приналежності продаються окремо

 Розблокувати

 Блокувати

Нижчезказані попереджальні слова та символи пояснюють рівень ризику при роботі з цим приладом.

⚠ НЕБЕЗПЕКА

Вказує на неминуче небезпечну ситуацію, яка, якщо її не уникнути, може призвести до смерті або серйозних травм.

⚠ ПОПЕРЕДЖЕННЯ

Вказує на потенційно небезпечну ситуацію, яка, якщо її не уникнути, може призвести до смерті або серйозних травм.

⚠ УВАГА

Вказує на потенційно небезпечну ситуацію, яка, якщо її не уникнути, може призвести до середньої або легкої травми.

УВАГА

(Без Символу попередження про небезпеку) Вказує на ситуацію, яка може привести до матеріальних збитків.

Kayışlı zımpara makineniz tasarlanırken temel öncelik güvenlik, performans ve güvenilirlik özelliklerine verilmiştir.

KULLANIM AMACI

Bu bant zımpara makinesi metal, ahşap, plastik veya benzer malzemelerin zımparalanmasına yöneliktir. Ayrıca yüzeylerden boya, vernik ve korozyonu temizleyebilir.

Talimat kılavuzunu okumuş ve riskleri ve tehlikeleri anlamış operatörler tarafından kullanılması amaçlanmıştır. Ürün sadece iyi havalandırılmış alanlarda kullanılmalıdır.

Ürün sadece kuru zımparalama için tasarlanmıştır. Bu ürünü yaş zımparalama için kullanmayın.

Bant zımpara makinesi yalnızca tüketici tarafından kullanıma yöneliktir. Bu ürünü belirtilen kullanım amacı dışında herhangi bir amaçla kullanmayın.

⚠ UYARI

Belirli boyalardan, kaplamalardan veya materyallerden kaynaklanan toz solunum sisteminde tahrişe veya alerjik reaksiyona neden olabilir. Meşe, kayın, MDF ve diğer ağaçlar gibi ahşaptan kaynaklanan toz kanserojendir. Asbest içeren materyal yalnızca nitelikli uzman operatörler tarafından işlenmeli ve üzerinde çalışma yapılmalıdır.

⚠ UYARI

Tüm güvenlik uyarılarını ve talimatlarını okuyun. Uyarıların ve talimatların yerine getirilmemesi elektrik çarpması, yangın ve/veya ciddi yaralanmalara yol açabilir.

İleride başvurmak için bütün uyarıları ve talimatları saklayın.

GENEL ÇALIŞMA TEZGAHI GÜVENLİK UYARILARI

⚠ UYARI

Çalışma tezgahı ve ona monte edilecek elektrikli aletle birlikte verilen ürün güvenlik uyarılarını ve talimatları okuyun. Uyarıların ve talimatların yerine getirilmemesi elektrik çarpması, yangın ve/veya ciddi yaralanmalara yol açabilir.

- **Tüm uyarıları ve talimatları daha sonra başvurmak üzere saklayın.**
- Uyarılardaki "elektrikli alet" terimi şebeke elektrifiyle çalışan (kablolu) ya da pille çalışan (kablesiz) el aletini ifade eder.
- **Herhangi bir ayar yapmadan ya da aksesuar değiştirmeden önce fişi güç kaynağından al veya pil takımını aletten çıkarın.** Elektrikli aletin istenmeden çalışması bazı kazalara neden olur.
- **Aleti monte etmeden önce, çalışma tezgahını**

gerektiği gibi kurun. Doğru kuruluş, yıkılma riskini önlemede önemlidir.

- **Kullanmadan önce elektrikli aleti çalışma tezgahına güvenli bir biçimde tespit edin.** Elektrikli aletin tezgah üzerinde kayması kontrol kaybına neden olabilir.
- **Çalışma tezgahını sağlam, düz ve dengeli bir yüzey üzerine yerleştirin.** Çalışma tezgahı kayıp sarsıldığı zaman elektrikli alet ya da işlenen parça güvenli kontrol edilemez.
- **Çalışma tezgahına aşırı yük yüklemeyin, merdiven ya da iskele olarak kullanmayın.** Çalışma tezgahına aşırı yük yüklemek ya da üzerinde durmak tezgahın üst bölümünün ağır olmasına ve devrilmesine yol açar

BANT ZİMPARA MAKİNESİ GÜVENLİK UYARILARI

- **Her zaman güvenlik gözlükleri ve bir toz maskesi takın.**
- **Toz ve zehirli buharlar solunmayı önlemek için kurşun bazlı boya kaplı yüzeyler veya bazı ahşap ve metal yüzeyleri zımparladığınızda uygun toz önleyici bir maske takınız.**
- **Ürün, yaş zımpara için uygun değildir.**
- **İhtiyaç duyulandan daha büyük bir zımpara şeridi kullanmayın.**

PİL İÇİN EK GÜVENLİK UYARILARI

⚠ UYARI

Bir kısa devreden kaynaklanan yangın, yaralanma veya ürün hasarları tehlikesini önlemek için aleti, güç paketini veya şarj cihazını asla sıvıların içine daldırmayınız ve cihazların ve pillerin içine sıvı girmesini önleyiniz. Tuzlu su, belirli kimyasallar, ağartıcı madde veya ağartıcı madde içeren ürünler gibi koroziv veya iletken sıvılar kısa devreye neden olabilir.

LİTYUM PİLLERİN NAKLİYESİ

Pili yerel ve ulusal hükümlere ve yönetmeliklere göre nakledin.

Piller üçüncü bir şahıs tarafından nakledilirken ambalaj ve etiket üzerindeki tüm özel gereksinimlere uyun. Açıkta bulunan konnektörleri iletken olmayan yalıtım başlıkları veya bant ile koruyarak pillerin nakliye sırasında diğer pillerle veya iletken materyallerle temas etmediğinden emin olun. Çatlak veya sızıntı yapan pilleri nakletmeyin. Daha fazla bilgi için nakliye şirketine danışın.

ARDIL RİSKLER

Ürün belirtildiği şekilde kullanıldığı zaman bile belirli artık risk faktörlerinin tamamen ortadan kaldırılması mümkün değildir. Kullanım sırasında aşağıdaki tehlikeler ortaya çıkabilir ve operatör bunlardan kaçınmak için özellikle dikkat etmelidir:

- Sıkışma veya hareketli bantla temas tehlikesi
Operatörün parmaklarının ve ellerinin aşındırıcı bant ile temas etmesini veya silindirin arasına sıkışmasını önlemek için özellikle ters çevrilmiş çalışma sırasında ek tedbirler alınmalıdır.
- Temas veya tozu soluma tehlikesi
Ürünü kullanırken önemli miktarda toz ve ince parçacık üretilir. Ürünü işletime alırken toz toplama makinesi kullanın ya da toz vakumu bağlayın. İşlenecek materyallere uygun filtreler içeren solunum koruma maskeleri takın Çalışma yerinin uygun şekilde havalandırıldığından emin olun. Çalışma alanı içinde bir şey yemeyin, içmeyin veya sigara içmeyin.
- Patlama riski
Birken ince toz tutuşabilir ve yangına neden olabilir. Çalışma alanını temiz ve tozdan uzak tutun. Toz toplama ve vakumlu ekstraksiyon sistemleri düzenli olarak ve iyice temizlenmelidir. Metal zımparalama sırasında kıvılcım çıkabilir.
- Gürültü ve titreşim tehlikesi
Ürünü kullanırken kulak tıkacı takın. Ürünü uzun süre kullanmayın.

RİSK AZALTMA

El aletlerinden kaynaklanan titreşimlerin belirli kişilerde Raynaud Sendromu olarak adlandırılan bir durumu etkileyebileceği rapor edilmiştir. Karıncalanma, hissizlik ve parmakların sararması gibi genelde soğuğa maruz kaldıktan sonra görülen semptomlar oluşabilir. Kalıtsal faktörler, soğuğa ve ıslaklığa maruz kalmak, diyet, sigara içmek ve fiziksel yorgunluk gibi etkenlerin hepsinin bu semptomların ortaya çıkmasına zemin hazırlayabileceği bildirilmiştir. Titreşimin etkilerini azaltmak için operatör tarafından alınabilecek önlemler bulunmaktadır:

- Soğuk havalarda vücudunuzu sıcak tutun. Ürünü çalıştırırken elleri ve bilekleri sıcak tutmak için eldiven takın. Soğuk havanın Raynaud Sendromunun ana tetikleyicilerinden olduğu bildirilmiştir.
- Her operasyon sürecinden sonra kan dolaşımını arttırmak için egzersiz yapın.
- Sık sık işe ara verin. Günlük maruziyet miktarını sınırlandırın.

Bu rahatsızlığın semptomlarından herhangi birini görürseniz, aleti kullanmayı derhal bırakın ve bir doktora görünün.

ÇALIŞTIRMA

- Ürünü, bandı uygun şekilde yerleştirmeden ve sabitlemeden kullanmayın. Yanlış yerleştirilmiş bant ürünü düşürebilir ve fiziksel yaralanmaya veya zımpara makinesinin zarar görmesine neden olabilir.
- İş parçasını bir mengene veya kelepçe ile uygun bir çalışma tezgahına sabitleyin. Bu, iş parçasının fırlamasını önlemeye yardımcı olur.
- Ürünü iki elinizle tutmak ve kontrol etmek için ürünü

birlikte verilen kolları kullanın.

- Ürünü zorlamayın. Yapacağınız uygulama için doğru ürünü kullanın. Doğru ürün tasarlandığı hızda işi daha iyi ve daha güvenli şekilde yerine getirecektir.
- Ürüne aşırı kuvvet uygulamayın. Ürün ağırlığının doğru baskı uygulamasını sağlayın ve zımpara makinesini yönlendirmek için ellerinizi kullanın. Aşırı baskı, ürüne aşırı yük uygular ve motora zarar verir. Daha fazla baskı uygulamak daha fazla malzeme sökmek ve bunun yerine zımparalama verimini azaltır.
- Ürünün malzemeyi etkili şekilde sökme kabiliyetini muhafaza etmek için zımpara bandını sık sık değiştirin.
- Ürünü tetik düğmesini kullanarak çalıştırın ve bandın doğru hızı ulaşmasını bekleyin. Daha sonra bandı iş parçasının üzerine doğru indirin. Bant hareketi ürünü ileri doğru sürükleyeceğinden ürünü iki elinizle sıkı bir şekilde tutun.
- Yerine getirilecek iş için doğru boyda ve uygun sertlikte bir bant seçin. Daha fazla malzeme sökmek için daha az taneckli bantlar kullanın; daha az malzeme sökmek ve daha ince bitirme için daha yüksek sayıda tanecek kullanın. Hasar görürse, talaşla tikanırsa veya aşırırsa bandı değiştirin.
- Ürünü malzemenin taneleri boyunca ileri geri zımparalamak ve hareket ettirmek normaldir. Tane boyunca zımparalayarak işi yerine getirebilirsiniz ancak çizik ve hasarlı bir yüzey elde edilir.

⚠ UYARI

Belirli boyalardan, kaplamalardan veya materyallerden kaynaklanan toz solunum sisteminde tahrişe veya alerjik reaksiyona neden olabilir. Meşe, kayın, MDF ve diğer ağaçlar gibi ahşaptan kaynaklanan toz kanserojendir. Asbest içeren materyal yalnızca nitelikli uzman operatörler tarafından işlenmeli ve üzerinde çalışma yapılmalıdır.

- Toz partikülleri birikme tehlikesini azaltmak için toz toplayıcı kullanın veya toz girişini bir elektrikli süpürgeye bağlayın.
- Çalışma alanı veya yakınındaki herkesin uygun koruma sağlayan toz maskeleri kullanması gerekir.
- Aletler kullanırken daima güvenlik gözlükleri veya yan ekranlı koruma gözlükleri kullanın.

⚠ UYARI

Bir aletin uzun süre kullanılması nedeniyle yaralanmalar olabilir veya mevcut yaraların durumu kötüleşebilir. Herhangi bir aleti uzun bir süre boyunca kullanırken düzenli olarak ara vermeyi ihmal etmeyin.

ÜRÜNÜNÜZÜ TANIYIN

Sayfa 107'ya bakın.

1. Ön tutamak
2. Kilit açık düğmesi

3. Ana kol
4. Emme borusu
5. Pili bağlantı noktası
6. Kumlama kuşağı ayar topuzu
7. Tetik
8. Kumlama kuşağı bırakma kolu
9. Ön tutamak ayar düğmesi
10. Vakum adaptörü
11. Toz torbası
12. Zımpara şeridi (60 tanecikli)
13. Zımpara şeridi (100 tanecikli)
14. Zımpara şeridi (120 tanecikli)

BAKİM

⚠ UYARI

Parçaları monte ederken, temizlerken, bakımını yaparken veya kullanılmadığı zaman ürün asla bir güç kaynağına bağlanmamalıdır. Ürünün bağlantısının kesilmesi ciddi yaralanmalara neden olabilecek kazara çalışmayı önleyecektir.

⚠ UYARI

Alet için sadece Ryobi yedek parçalarını kullanın. Diğer parçaları kullanmak tehlike yaratabilir ya da hasara neden olabilir.

⚠ UYARI

Temizlemeden önce mutlaka zımpara kayışını üründen çıkarın. Bu uyarıya uymama, ciddi beden yaralanmalarına sebep olabilir.

Plastik parçaları temizlerken solventleri kullanmaktan kaçının. Plastiklerin çoğu ticari kullanımlı uçucu maddeler karşı hassastır. Lekeleri, tozu, vb. temizlemek için temiz bir bez kullanınız.

⚠ UYARI

Asla fren hidroliğinin, benzinin, petrol esaslı ürünlerin, yüzeye işleyen yağların vb. plastik parçalarla temas etmesine izin vermeyin. Bu kimyasal ürünler, plastiğe zarar verebilecek, kırılır hale getirebilecek ya da yok edebilecek maddeler içermektedir.

Cam elyafı malzemeler, alçı plakaları, dolgu alçısı veya alçı üzerinde kullanılan elektrikli aletler daha hızlı aşınabilir ve erken arızalara neden olabilir, çünkü cam elyafı malzemelerin talaşları ile kalıntılarının rulmanlar, fırçalar, komütatör gibi parçalar üzerinde son derece aşındırıcı etkisi vardır. Ürünün bu tür materyaller üzerinde uzun süre kullanılmasını önermiyoruz.

Her kullanım sonrası bandı ve takılıysa toz toplayıcıyı çıkartın. Toz toplayıcıyı bu kılavuzdaki resimlerde gösterildiği gibi temizleyin. Ürünü bir fırça, kuru bez ve elektrikli süpürge yardımıyla içice temizleyin.

⚠ UYARI

Ciddi göz yaralanmalarını önlemek amacıyla üründeki tozu üfleme için basınçlı hava kullanmayın.

Daha yüksek güvenlik ve güvenilirlik için tüm onarım çalışmaları yetkili bir Ryobi servis merkezi tarafından yapılmalıdır.

Normal işleme koşulları için, cihazın tüm yuvaları yüksek kalite yağlarla ömür boyu yağlanmıştır. Buna göre, fazladan yağlama yapılmasına gerek yoktur.

ÇEVRENİN KORUNMASI



Ham maddeleri çöp olarak atmak yerine geri dönüştürün. Çevreyi korumak için, alet, aksesuarlar ve ambalajlar tasnif edilmelidir.

SEMBOL



Güvenlik Uyarısı

V

Volt

n_o

Yüksüz hız

min⁻¹

Saniyede devir veya hareket sayısı



Doğru akım



CE Uygunluğu



EurAsian Uyumluluk işareti



Ukrayna uygunluk işareti



Makineyi çalıştırmadan talimatları dikkatlice okuyun.



Koruyucu kulaklık kullanın



Koruyucu gözlük kullanın



Atık elektrikli ürünler evsel atıklarla birlikte atılmamalıdır. Tesis bulunuyorsa lütfen geri dönüşüme verin. Geri dönüşümle ilgili tavsiye için Yerel Makamlarla veya bayi ile irtibat kurun.

KİTAPÇIKTAKİ SEMBOLLER



Not



Parçalar ya da aksesuarlar ayrı olarak satılır.



Kilidi açma



Kilit

Aşağıdaki işaret sözcükleri ve anlamları, bu ürünle ilişkili risk seviyelerini açıklamaya yöneliktir:

TEHLİKE

Önlenmemesi durumunda ölüm veya ciddi yaralanma ile sonuçlanacak, tehdit edici tehlikeli bir durumu gösterir.

UYARI

Önlenmemesi durumunda ölüm veya ciddi yaralanma ile sonuçlanabilecek potansiyel olarak tehlikeli bir durumu gösterir.

DİKKAT

Önlenmemesi durumunda önemsiz veya orta derece yaralanma ile sonuçlanabilecek potansiyel olarak tehlikeli bir durumu gösterir.

DİKKAT

(Güvenlik uyarı simgesiz) maddi hasarla sonuçlanabilecek bir durum belirtir.



Στον σχεδιασμό του λειαντικού ιμάντα έχει δοθεί μέγιστη προτεραιότητα στην ασφάλεια, την απόδοση και την αξιοπιστία.

ΠΡΟΟΡΙΖΟΜΕΝΗ ΧΡΗΣΗ

Το ταινιοτριβείο διατίθεται για το τρίψιμο μετάλλου, ξύλου, πλαστικού ή παρόμοιων υλικών. Μπορεί επίσης να αφαιρέσει μπογιά, βερνίκι και διάβρωση από τις επιφάνειες.

Πρέπει να χρησιμοποιείται από χειριστές που έχουν διαβάσει το εγχειρίδιο χρήσης και κατανοούν τους σχετικούς κινδύνους. Το προϊόν πρέπει να χρησιμοποιείται μόνο σε χώρους με καλό εξαερισμό.

Το προϊόν είναι σχεδιασμένο μόνο για ξηρή λείανση. Μην χρησιμοποιείτε το προϊόν για υγρή λείανση.

Το ταινιοτριβείο διατίθεται μόνο για καταναλωτική χρήση. Μην χρησιμοποιείτε το προϊόν με τρόπο διαφορετικό από αυτόν που αναφέρεται για τη χρήση του.

⚠ ΠΡΟΕΙΔΟΠΟΙΗΣΗ

Η σκόνη από ορισμένα χρώματα, επιχρίσματα και υλικά μπορεί να προκαλέσει ερεθισμό ή αλλεργικές αντιδράσεις στο αναπνευστικό σύστημα. Η σκόνη από ξύλο, όπως η δρυς, οξιά, MDF και άλλα είναι καρκινογόνος. Υλικά που περιέχουν αμίαντο πρέπει να υποβάλλονται σε επεξεργασία μόνο από εξειδικευμένο έμπειρο προσωπικό.

⚠ ΠΡΟΕΙΔΟΠΟΙΗΣΗ

Διαβάστε όλες τις συστάσεις ασφαλείας και τις οδηγίες. Αν δεν τηρηθούν οι προειδοποιήσεις και οδηγίες, υπάρχει κίνδυνος ηλεκτροπληξίας, φωτιάς και / ή σοβαρού τραυματισμού.

Φυλάξτε όλες τις συστάσεις και οδηγίες για μελλοντική αναφορά.

ΓΕΝΙΚΕΣ ΠΡΟΕΙΔΟΠΟΙΗΣΕΙΣ ΑΣΦΑΛΕΙΑΣ ΓΙΑ ΤΗ ΒΑΣΗ ΕΡΓΑΣΙΑΣ

⚠ ΠΡΟΕΙΔΟΠΟΙΗΣΗ

Διαβάστε όλες τις προειδοποιήσεις ασφαλείας και τις παρεχόμενες οδηγίες της βάσης εργασίας και του ηλεκτρικού εργαλείου που πρόκειται να εγκατασταθεί σε αυτή. Αν δεν τηρηθούν οι προειδοποιήσεις και οδηγίες, υπάρχει κίνδυνος ηλεκτροπληξίας, φωτιάς και / ή σοβαρού τραυματισμού.

- Φυλάσσετε όλες τις προειδοποιήσεις και οδηγίες για μελλοντική χρήση.
- Ο όρος «μηχάνημα» στις προειδοποιήσεις αναφέρεται αναφέρεται στο χειροκίνητο (ενσύρματο) μηχάνημα ή σε μηχανήματα (ασύρματο) που λειτουργεί με μπαταρία.
- Πριν από τη διεξαγωγή οποιωνδήποτε ρυθμίσεων ή την αντικατάσταση εξαρτημάτων, αποσυνδέετε το φως από την παροχή ρεύματος και/ή το πακέτο

συσσωρευτών από το ηλεκτρικό εργαλείο. Η τυχαία ενεργοποίηση του ηλεκτρικού εργαλείου αποτελεί πηγή κινδύνου.

- **Συναρμολογήστε ορθά τη βάση εργασίας, προτού εγκαταστήσετε το ηλεκτρικό εργαλείο σε αυτή.** Η ορθή συναρμολόγηση είναι σημαντική για την αποφυγή του κινδύνου κατάρρευσης.
- **Πριν από τη χρήση, ασφαλίστε σωστά το ηλεκτρικό εργαλείο πάνω στη βάση εργασίας.** Η μετατόπιση του ηλεκτρικού εργαλείου στη βάση εργασίας μπορεί να προκαλέσει απώλεια ελέγχου.
- **Τοποθετήστε τη βάση εργασίας σε σταθερή, επίπεδη και ευθυγραμμισμένη επιφάνεια.** Όταν η βάση εργασίας μετατοπίζεται ή δονείται, το ηλεκτρικό εργαλείο ή το αντικείμενο εργασίας δεν μπορούν να διατηρηθούν σταθερά ούτε μπορείτε να τα ελέγξετε με ασφάλεια.
- **Μην παραφορτώνετε τη βάση εργασίας και μην τη χρησιμοποιείτε ως σκάλα ή ικρίωμα.** Εάν παραφορτώσετε τη βάση εργασίας, το βάρος της θα επικεντρωθεί στην επάνω πλευρά του και ενδέχεται να ανατραπεί.

ΠΡΟΕΙΔΟΠΟΙΗΣΕΙΣ ΑΣΦΑΛΕΙΑΣ ΤΑΙΝΙΟΤΡΙΒΕΙΟΥ

- **Φοράτε πάντα προστατευτικά γυαλιά και μάσκα κατά της σκόνης.**
- **Πρέπει να φοράτε κατάλληλη μάσκα κατά της σκόνης όταν λειανείτε επιφάνειες καλυμμένες με χρώμα με βάση το μόλυβδο καθώς και ορισμένα ξύλα και μέταλλα ώστε να μην εισπνέετε τοξικές σκόνης ή αέρια.**
- **Το προϊόν δεν είναι κατάλληλο για υγρό τρίψιμο.**
- **Μην χρησιμοποιείτε ιμάντες λείανσης μεγαλύτερους από το απαραίτητο.**

ΕΠΙΠΡΟΣΘΕΤΕΣ ΠΡΟΕΙΔΟΠΟΙΗΣΕΙΣ ΑΣΦΑΛΕΙΑΣ ΜΠΑΤΑΡΙΑΣ

⚠ ΠΡΟΕΙΔΟΠΟΙΗΣΗ

Για να αποτρέπεται τον κίνδυνο πυρκαγιάς λόγω βραχυκυκλώματος, τραυματισμούς ή ζημιές του προϊόντος, να μη βυθίζετε το εργαλείο, τον ανταλλακτικό συσσωρευτή ή τη συσκευή φόρτισης σε υγρά και να φροντίζετε, ώστε να μη διεισδύουν υγρά στις συσκευές και τους συσσωρευτές Διαβρωτικές ή αγώγιμες υγρές ουσίες, όπως αλατόνερο, ορισμένες χημικές ουσίες και λευκαντικά ή προϊόντα που περιέχουν λευκαντικά, μπορεί να προκαλέσουν βραχυκύκλωμα.

ΜΕΤΑΦΟΡΑ ΜΠΑΤΑΡΙΩΝ ΛΙΘΙΟΥ

Μεταφέρετε τη μπαταρία σε συμφωνία με τις τοπικές εθνικές διατάξεις και τους κανονισμούς.

Τηρείτε όλες τις ειδικές απαιτήσεις στη συσκευασία και στην ετικέτα κατά τη μεταφορά των μπαταριών από τρίτους. Εξασφαλίστε ότι δεν θα έρχονται σε επαφή οι μπαταρίες





με άλλες μπαταρίες ή με αγώγιμα υλικά κατά τη διάρκεια της μεταφοράς, προστατεύοντας τους εκτεθειμένους συνδέσμους με μόνωση, μη αγώγιμα πώματα ή ταινία. Μη μεταφέρετε μπαταρίες που έχουν χτυπήματα ή διαρροή. Ενημερωθείτε από τη πρακτορεία μεταφορών για περαιτέρω ειδοποιήσεις.

ΑΛΛΟΙ ΚΙΝΔΥΝΟΙ

Ακόμη και όταν το προϊόν χρησιμοποιείται σύμφωνα με τις οδηγίες, δεν είναι δυνατή η απόλυτη απαλειφή συγκεκριμένων παραγόντων κινδύνου. Κατά τη χρήση μπορεί να προκύψουν οι ακόλουθοι κίνδυνοι και ο χειριστής πρέπει να δίδει ιδιαίτερη προσοχή προς αποφυγή των εξής:

- Παγίδευση ή επαφή με τον κινούμενο ιμάντα
Ιδιαίτερη προσοχή απαιτείται κατά τη λειτουργία αναστροφής, ώστε τα δάχτυλα και τα χέρια του χειριστή να μην έρθουν σε επαφή με τον ιμάντα λείανσης ή να παγιδευτούν από τους κυλίνδρους.
- επαφή με ή εισπνοή σκόνης
Ενώ χρησιμοποιείτε το προϊόν, θα παραχθεί σημαντική ποσότητα σκόνης και σωματιδίων. Χρησιμοποιήστε τη συσκευή συλλογής σκόνης ή συνδέστε μία αντλία απόσπασης σκόνης όταν χρησιμοποιείτε το προϊόν. Φορέστε μάσκα προστασίας της αναπνοής που περιέχουν κατάλληλα φίλτρα για τα υλικά που επεξεργάζεστε. Βεβαιωθείτε ότι υπάρχει επαρκής εξαερισμός του χώρου εργασίας. Μην τρώτε, πίνετε ή καπνίζετε στον χώρο εργασίας.
- κίνδυνος έκρηξης
Η συγκέντρωση λεπτής σκόνης μπορεί να προκαλέσει ανάφλεξη και φωτιά. Διατηρείτε τον χώρο εργασίας καθαρό και χωρίς σκόνη. Τα συστήματα συλλογής σκόνης και σκουπιτών απώθησης θα πρέπει να καθαρίζονται τακτικά και προσεκτικά. Κατά την τριβή μετάλλου, υπάρχει πιθανότητα δημιουργίας θερμών σπινθήρων.
- θόρυβος και κραδασμοί
Φοράτε προστατευτικά αυτιών όταν χειρίζεστε το προϊόν. Μην χρησιμοποιείτε το προϊόν για μεγάλα χρονικά διαστήματα.

ΜΕΙΩΣΗ ΚΙΝΔΥΝΟΥ

Έχει αναφερθεί ότι οι κραδασμοί των χειροκίνητων εργαλείων μπορεί να συμβάλλει σε μια πάθηση γνωστή ως Σύνδρομο Raynaud σε ορισμένα άτομα. Τα συμπτώματα περιλαμβάνουν κνησμό, μούδιασμα και λευκότητα των δακτύλων, που εμφανίζονται συνήθως μετά την έκθεση σε κρύο. Κληρονομικοί παράγοντες, έκθεση σε κρύο και υγρασία, η διατροφή, το κάπνισμα και οι εργασιακές πρακτικές θεωρείται ότι συμβάλλουν στην ανάπτυξη αυτών των συμπτωμάτων. Υπάρχουν μέτρα που μπορούν να ληφθούν από τον χειριστή για να μειωθούν πιθανώς οι επιδράσεις των κραδασμών:

- Διατηρείτε το σώμα σας ζεστό όταν ο καιρός είναι ψυχρός. Κατά τη λειτουργία του προϊόντος φοράτε γάντια ώστε να διατηρείτε τα χέρια και τους καρπούς ζεστά. Ο ψυχρός καιρός είναι κύριος παράγοντας που

συμβάλλει στην εκδήλωση του συνδρόμου Raynaud.

- Μετά από κάθε περίοδο λειτουργίας, κάνετε ασκήσεις για να αυξάνετε την κυκλοφορία αίματος.
- Κάνετε τακτικά διαλείμματα κατά την εργασία. Περιορίζετε το σύνολο έκθεσης ανά ημέρα.

Αν παρουσιάσετε οποιοδήποτε σύμπτωμα αυτής της πάθησης, διακόψτε αμέσως τη χρήση και συμβουλευτείτε τον γιατρό σας για τα συμπτώματα.

ΛΕΙΤΟΥΡΓΙΑ

- Μη χρησιμοποιείτε το προϊόν χωρίς κατάλληλα τοποθετημένο ιμάντα. Ένας ακατάλληλα περασμένος ιμάντας μπορεί να βγει από το προϊόν προκαλώντας τραυματισμούς ή ζημιά στο τριβείο.
- Ασφαλίστε το τεμάχιο εργασίας με μέγερνη ή σφιγκτήρα σε κατάλληλο πάγκο εργασίας. Έτσι εμποδίζεται η πιθανότητα εκτίναξης του τεμαχίου εργασίας.
- Χρησιμοποιήστε την παρεχόμενη λαβίδα για να κρατάτε και να ελέγχετε το προϊόν και με τα δύο χέρια.
- Μην βιάζεστε τη λειτουργία το προϊόν. Χρησιμοποιείτε το σωστό προϊόν για την εφαρμογή σας. Το σωστό προϊόν ολοκληρώνει την εργασία σας καλύτερα και με περισσότερη ασφάλεια, με την ταχύτητα για την οποία έχει σχεδιαστεί.
- Μην ασκείτε υπερβολική πίεση στο προϊόν. Αφήστε το βάρος του προϊόντος να ασκήσει τη σωστή πίεση και χρησιμοποιήστε τα χέρια σας για να καθοδηγήτε το τριβείο. Η υπερβολική πίεση υπερφορτώνει το προϊόν και φθείρει τον κινητήρα. Η άσκηση μεγαλύτερης πίεσης δεν αφαιρεί περισσότερο υλικό, αλλά μειώνει την αποτελεσματικότητα της τριβής.
- Αλλάζετε τον ιμάντα συχνά για να διατηρείτε τη δυνατότητα του προϊόντος να απομακρύνει αποτελεσματικά τα υλικά.
- Ξεκινήστε το προϊόν με τον διακόπτη έναρξης και αφήστε τον ιμάντα να φτάσει στη σωστή ταχύτητα. Στη συνέχεια χαμηλώστε τον ιμάντα προς το τεμάχιο εργασίας. Κρατάτε το προϊόν σταθερά και με τα δύο χέρια, αφού η κίνηση του ιμάντα το στρώχνει προς τα εμπρός.
- Διαλέξτε ιμάντα με το σωστό μέγεθος και την κατάλληλη σκληρότητα για την εργασία σας. Χρησιμοποιήστε ιμάντες με χαμηλότερο αριθμό λειαντικού μέσου για να αφαιρέσετε περισσότερο υλικό και με υψηλότερο αριθμό λειαντικού μέσου για να αφαιρέσετε λιγότερο υλικό και για λεπτότερο φινιρίσμα. Αντικαταστήστε τον ιμάντα όταν έχει φθορές, έχει γεμίσει με υπολείμματα ή έχει χαλάσει.
- Είναι φυσιολογικό να τρίβετε και να μετακινείτε το προϊόν πίσω και εμπρός, κατά μήκος της φοράς του υλικού. Τρίβοντας κατά μήκος της φοράς θα έχετε αποτελέσματα, αλλά η επιφάνεια θα γρατσουνιστεί και θα καταστραφεί.

EN
FR
DE
ES
IT
NL
PT
DA
SV
FI
NO
RU
PL
CS
HU
RO
LV
LT
ET
HR
SL
SK
BG
UK
TR
EL



⚠ ΠΡΟΕΙΔΟΠΟΙΗΣΗ

Η σκόνη από ορισμένα χρώματα, επιχρίσματα και υλικά μπορεί να προκαλέσει ερεθισμό ή αλλεργικές αντιδράσεις στο αναπνευστικό σύστημα. Η σκόνη από ξύλο, όπως η δρυς, οξιά, MDF και άλλα είναι καρκινογόνος. Υλικά που περιέχουν αμίαντο πρέπει να υποβάλλονται σε επεξεργασία μόνο από εξειδικευμένο έμπειρο προσωπικό.

- Χρησιμοποιήστε τον συλλέκτη σκόνης ή συνδέστε τη θύρα σκόνης σε συσκευή σκούπας για να μειώσετε τους κινδύνους που σχετίζονται με τα μόρια σκόνης.
- Όλα τα άτομα εντός ή κοντά στον χώρο εργασίας θα πρέπει να φορούν ειδικές μάσκες κατά της σκόνης, οι οποίες προσφέρουν την κατάλληλη προστασία.
- Φοράτε πάντα γυαλιά ασφαλείας ή προστατευτικά γυαλιά με πλαϊνά ελάσματα όταν χρησιμοποιείτε εργαλεία.

⚠ ΠΡΟΕΙΔΟΠΟΙΗΣΗ

Υπάρχει κίνδυνος πρόκλησης ή επιδείνωσης τραυματισμού, από την παρατεταμένη χρήση εργαλείου. Όταν χρησιμοποιείτε το εργαλείο για μεγάλες περιόδους, κάνετε τακτικά διαλείμματα.

ΓΝΩΡΙΣΤΕ ΤΟ ΠΡΟΪΟΝ ΣΑΣ

Βλέπε σελίδα 107.

1. Εμπρός λαβή
2. Κουμπί κλειδώματος
3. Κύρια λαβή
4. Στόμιο αναρρόφησης
5. Θύρα μπαταρίας
6. Μοχλός ρύθμισης ταινίας τριβής
7. Διακόπτης
8. Μοχλός απεμπλοκής ταινίας τριβής
9. Πλήκτρο ρύθμισης εμπρός λαβής
10. Προσαρμογέας αναρροφητήρα
11. Σακούλα σκόνης
12. Ταινία λείανσης (60 grit)
13. Ταινία λείανσης (100 grit)
14. Ταινία λείανσης (120 grit)

ΣΥΝΤΗΡΗΣΗ

⚠ ΠΡΟΕΙΔΟΠΟΙΗΣΗ

Το προϊόν δεν πρέπει ποτέ να συνδέεται στο ρεύμα όταν συναρμολογείτε τα εξαρτήματά του, το καθαρίζετε, εκτελείτε εργασίες συντήρησης ή ακόμη και όταν δεν το χρησιμοποιείτε. Μια αποσύνδεση του προϊόντος θα εμποδίσει τυχαία εκκίνηση, η οποία θα μπορούσε να προκαλέσει σοβαρό τραυματισμό.

⚠ ΠΡΟΕΙΔΟΠΟΙΗΣΗ

Κατά το σέρβις, χρησιμοποιείτε μόνο πανομοιότυπα ανταλλακτικά Ryobi. Η χρήση οποιοδήποτε άλλου ανταλλακτικού μπορεί να παρουσιάσει κίνδυνο ή να προκαλέσει ζημιά στο εργαλείο σας.

⚠ ΠΡΟΕΙΔΟΠΟΙΗΣΗ

Αφαιρείτε πάντοτε τον ιμάντα λείανσης από το μηχάνημα πριν προβείτε σε καθαρισμό του. Η μη τήρηση της σύστασης αυτής μπορεί να προκαλέσει σοβαρό σωματικό τραυματισμό.

Αποφύγετε τη χρήση διαλυτών κατά τον καθαρισμό πλαστικών εξαρτημάτων. Τα περισσότερα πλαστικά μπορούν να υποστούν ζημιά από τη χρήση ορισμένων διαλυτών που διατίθενται στο εμπόριο. Χρησιμοποιήστε ένα καθαρό πανάκι για να καθαρίσετε τις ακαθαρσίες, τη σκόνη, κλπ.

⚠ ΠΡΟΕΙΔΟΠΟΙΗΣΗ

Σε καμία περίπτωση μην επιτρέπετε τα υγρά φρένων, η βενζίνη, προϊόντα με βάση το πετρέλαιο, έλαια που διεισδύουν κλπ. να έρχονται σε επαφή με πλαστικά τμήματα. Τα προϊόντα αυτά περιέχουν χημικές ουσίες που μπορούν να προξενήσουν ζημιά, να μειώσουν ή να καταστρέψουν το πλαστικό.

Τα ηλεκτρικά εργαλεία που χρησιμοποιούνται σε εξοπλισμούς από φάιμπεργκλας, σε γυψοσανίδες, σε σπανό επένδυσης ή σε γύψο, έχουν την τάση να φθερίονται γρηγορότερα και να παρουσιάζουν πρόωρες βλάβες, επειδή τα ρινίσματα και το πριονίδι που προέρχονται από τα υλικά αυτά είναι πολύ λειαντικά για έδρανα, βούρτσες, διακόπτες κλπ. Δεν προτείνουμε τη χρήση του προϊόντος για παρατεταμένο χρονικό διάστημα σε αυτούς τους τύπους υλικών.

Μετά από κάθε χρήση αφαιρείτε τον ιμάντα και τον συλλέκτη σκόνης (αν τοποθετήθηκε). Καθαρίστε τον συλλέκτη σκόνης όπως φαίνεται στις εικόνες του εγχειριδίου. Καθαρίστε το προϊόν καλά με βούρτσα, στεγνό πανί και ηλεκτρική σκούπα.


⚠ ΠΡΟΕΙΔΟΠΟΙΗΣΗ

Μην χρησιμοποιείτε πεπιεσμένο αέρα για να απομακρύνετε τη σκόνη από το προϊόν, καθώς υπάρχει κίνδυνος τραυματισμού στα μάτια.

Για μεγαλύτερη ασφάλεια και αξιοπιστία, όλες οι επισκευές πρέπει να εκτελούνται από εξουσιοδοτημένο κέντρο σέρβις της Ryobi.

Όλα τα έδρανα στο εργαλείο έχουν λιπανθεί με επαρκή ποσότητα λιπαντικού υψηλού τύπου που αρκεί για τη διάρκεια ζωής της μονάδας σε συνθήκες κανονικής χρήσης. Συνεπώς, δε χρειάζεται καμία επιπλέον λίπανση.



ΠΡΟΣΤΑΣΙΑ ΤΟΥ ΠΕΡΙΒΑΛΛΟΝΤΟΣ

 Ανακυκλώνετε τις πρώτες ύλες αντί να τις πετάτε ως απορρίμματα. Για την προστασία του περιβάλλοντος, πρέπει να γίνεται η διαλογή του εργαλείου, των εξαρτημάτων και των συσκευασιών του.

ΠΣΥΜΒΟΛΟ




-  Προειδοποίηση ασφάλειας
- V Βλτ
- n_o Ταχύτητα χωρίς φορτίο
- min⁻¹ Αριθμος στρών ή κινήσεων ανά λεπτό
-  Συνεχές ρεύμα
- CE Συμμόρφωση CE
- EAC EurAsian σήμα πιστότητας
-  Ουκρανικό σήμα συμμόρφωσης
-  Παρακαλούμε διαβάστε τις οδηγίες προσεκτικά πριν ξεκινήσετε το μηχάνημα.
-  Φοράτε προστατευτικά αυτιών
-  Φοράτε προστατευτικά ματιών
-  Τα ηλεκτρικά προϊόντα προς απόρριψη δεν θα πρέπει να απορρίπτονται μαζί με τα οικιακά απόβλητα. Παρακαλούμε ανακυκλώστε όπου υπάρχουν οι αντίστοιχες εγκαταστάσεις. Μιλήστε με τις τοπικές αρχές ή τον πωλητή για να σας ενημερώσουν σχετικά με τα προγράμματα ανακύκλωσης.

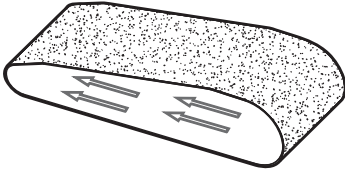
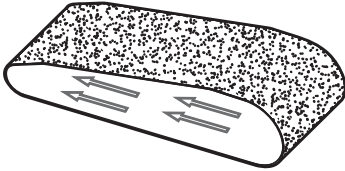
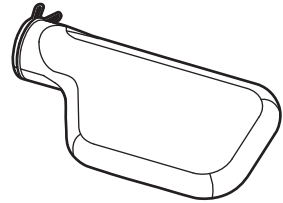
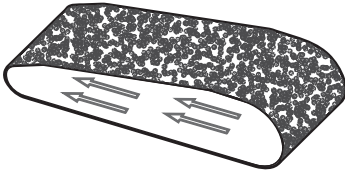
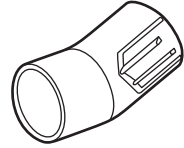
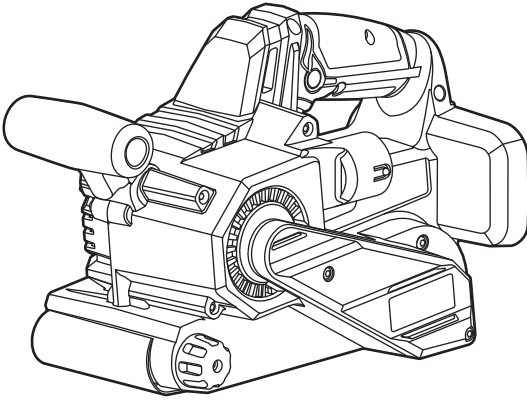
ΣΥΜΒΟΛΑ ΣΤΟ ΕΓΧΕΙΡΙΔΙΟ

-  Σημείωση
-  Ανταλλακτικά και εξαρτήματα πωλούνται χωριστά

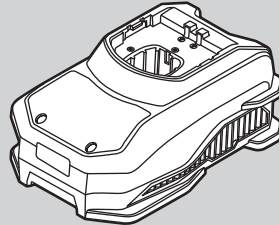
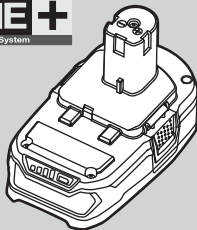
-  Ξεκλειδωμα
-  Κλειδωμα

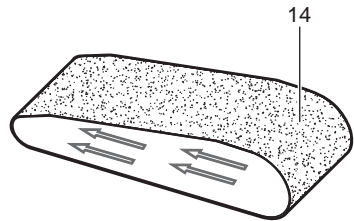
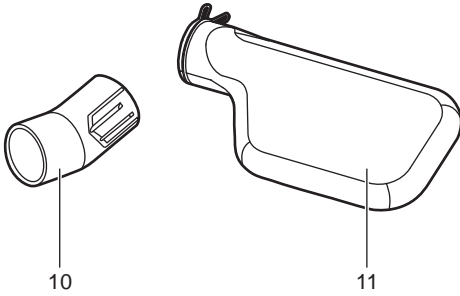
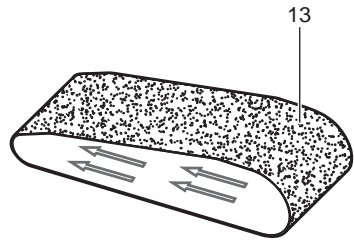
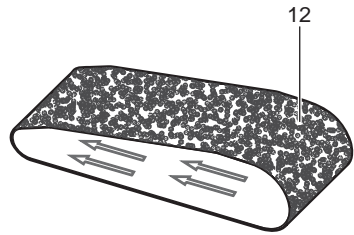
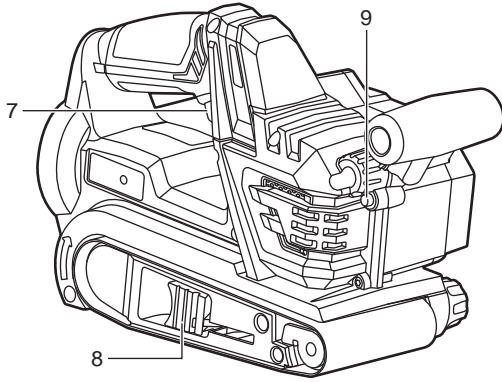
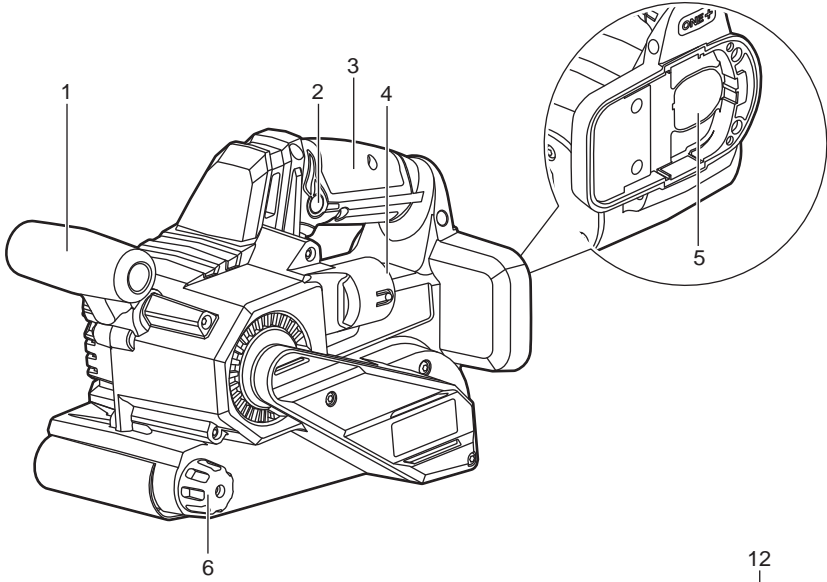
Οι ακόλουθες προειδοποιητικές λέξεις και έννοιες προορίζονται να εξηγήσουν τα επίπεδα κινδύνου που συνδέονται με αυτό το προϊόν:

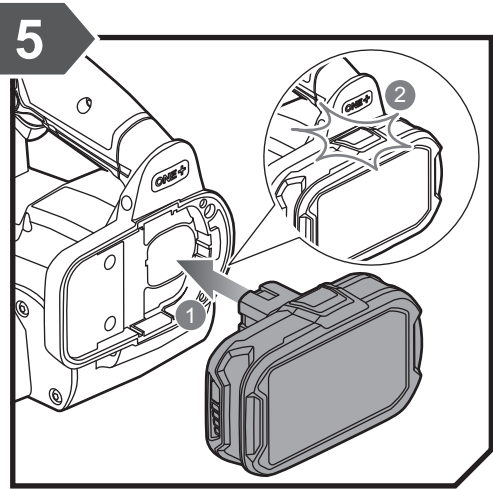
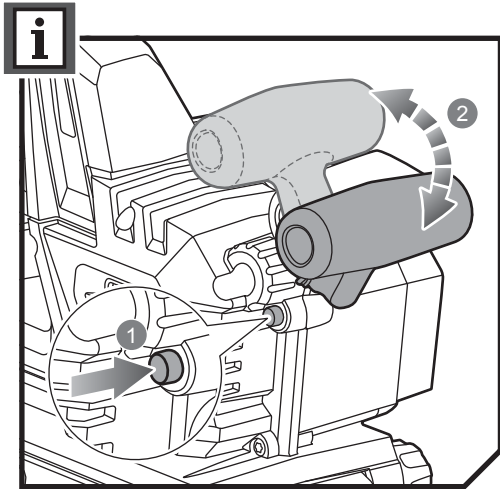
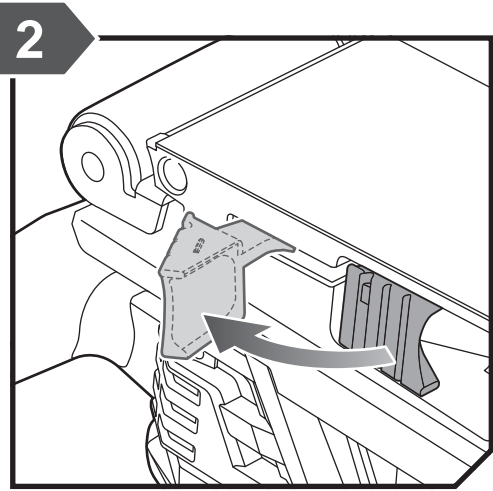
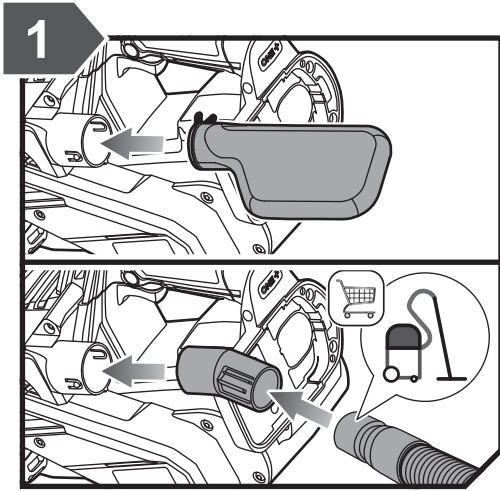
-  **ΚΙΝΔΥΝΟΣ**
Υποδεικνύει μια επικείμενη επικίνδυνη κατάσταση, η οποία, αν δεν αποφευχθεί, θα οδηγήσει σε θάνατο ή σοβαρό τραυματισμό.
-  **ΠΡΟΕΙΔΟΠΟΙΗΣΗ**
Υποδεικνύει μια δυνητικά επικίνδυνη κατάσταση, η οποία, αν δεν αποφευχθεί, θα οδηγήσει σε θάνατο ή σοβαρό τραυματισμό.
-  **ΠΡΟΣΟΧΗ**
Υποδεικνύει μια δυνητικά επικίνδυνη κατάσταση, η οποία, αν δεν αποφευχθεί, ενδέχεται να οδηγήσει σε ελαφρύ ή μέτριο τραυματισμό.
- ΠΡΟΣΟΧΗ**
(Χωρίς προειδοποιητικό σύμβολο) Επισημαίνει μια κατάσταση που ενδέχεται να προκαλέσει υλικές ζημιές.

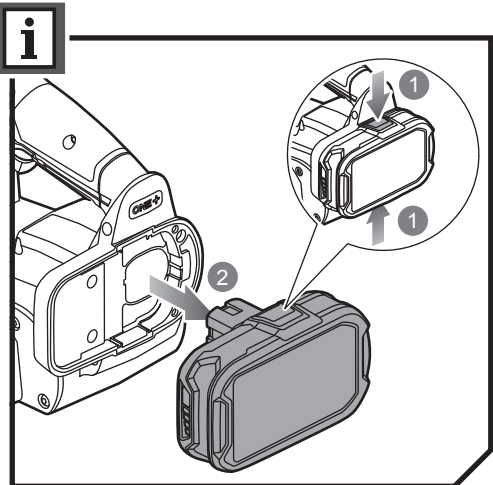
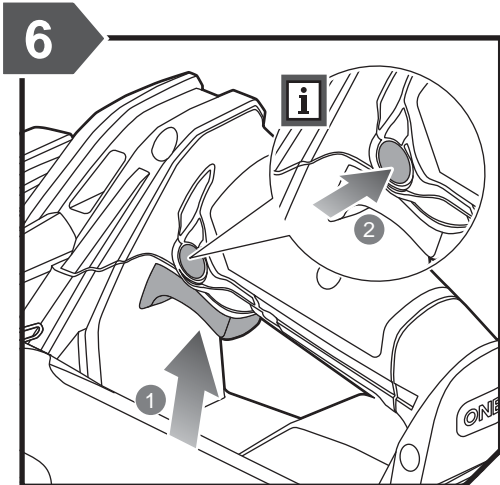
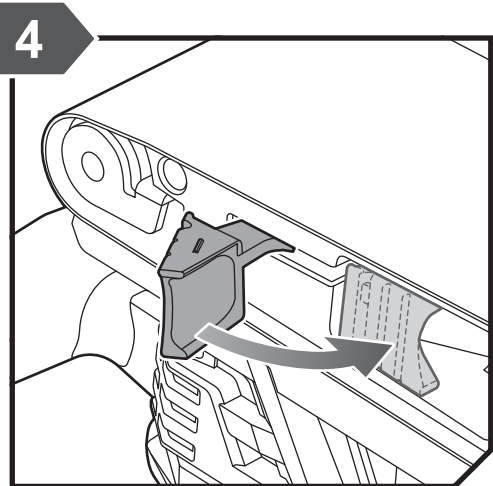
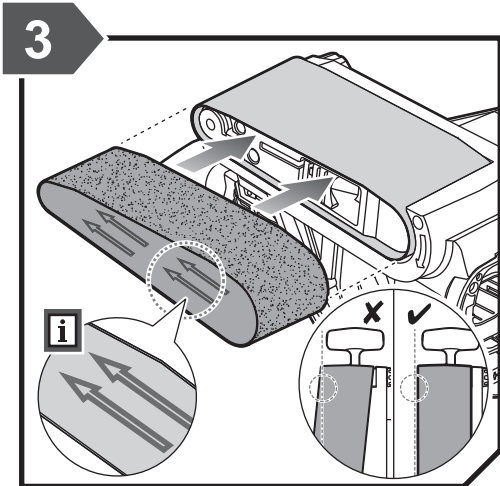


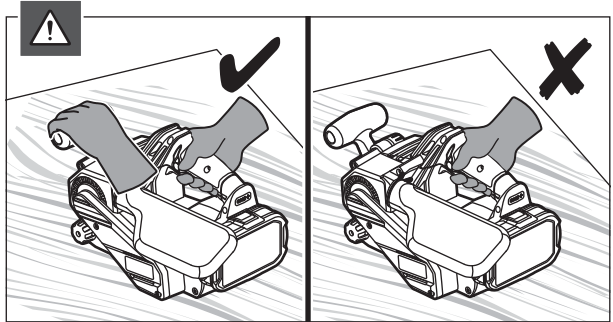
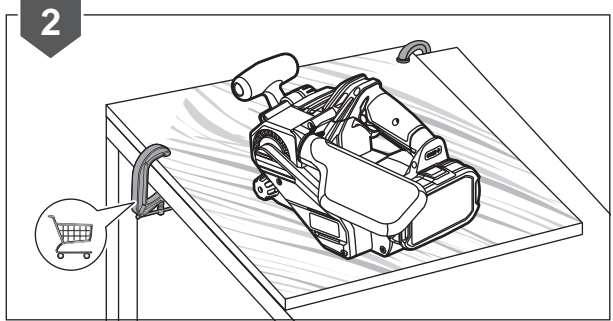
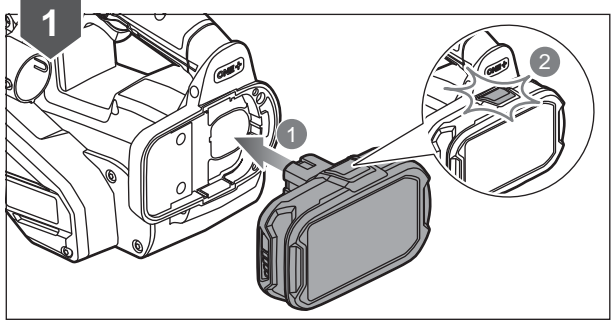
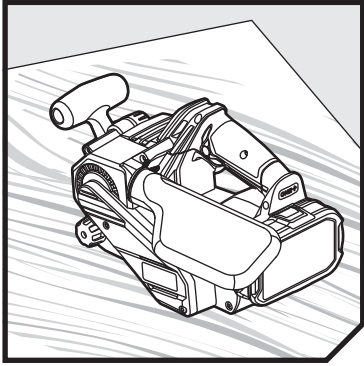
RYOBI ONE+
the System

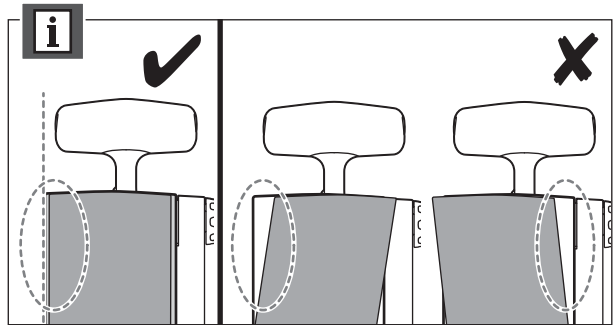
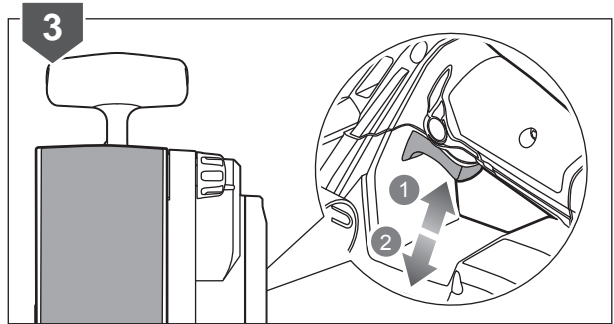
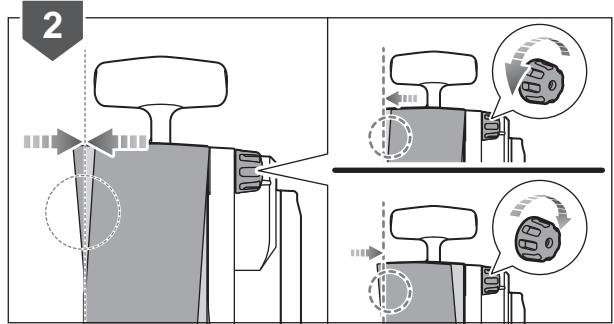
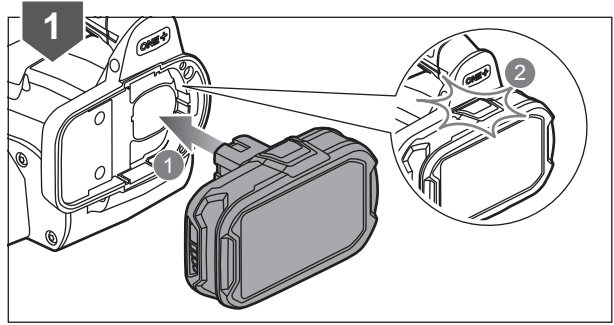
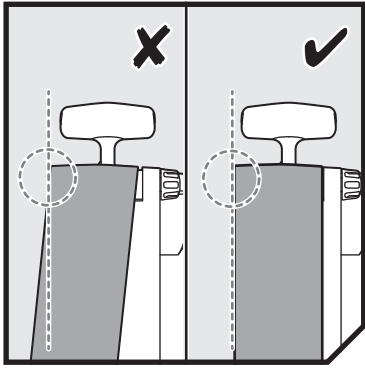


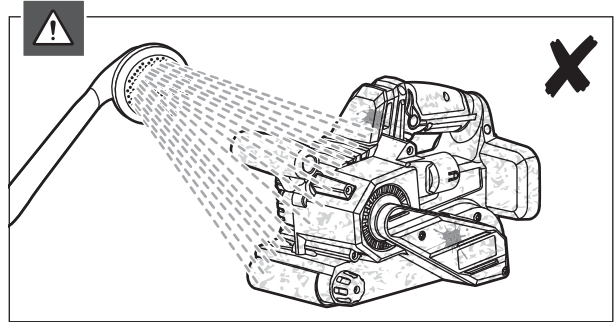
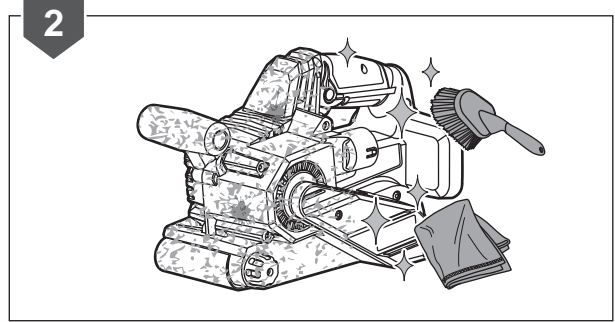
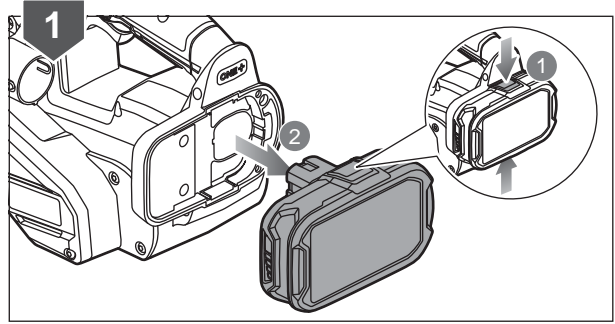
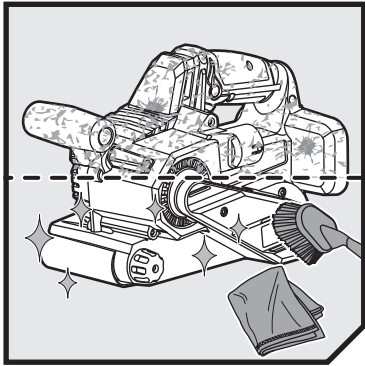
















English	Français	Deutsch	Español	Italiano	Nederlands	Português
Product specifications	Caractéristiques de l'appareil	Produkt-Spezifikationen	Especificaciones del producto	Specifiche prodotto	Productspecificaties	Especificações do produto
Belt sander	Ponceuse à Bande	Bandschleifer	Lijadora de correa	Levigatrice a nastro	Ponceuse à Bande	Lixadora de cinto
Model	Modèle	Modell	Modelo	Modello	Model	Modelo
Voltage	Tension	Spannung	Tensión	Voltaggio	Spanning	Voltagem
No-load speed	Vitesse à vide	Leerlaufdrehzahl	Velocidad sin carga	Velocità a vuoto	Onbelast toerental	Velocidade em vazio
Sanding area size	Taille de la surface de ponçage	Größe Schleifbereich	Tamaño del área de lijado	Dimensioni area di levigatura	Schuurvlak	Tamanho da área de lixagem
Sanding belt size	Dimensions de la bande abrasive	Größe Schleifband	Tamaño de la banda lijadora	Dimensioni nastro abrasivo	Schuurbandbreedte	Tamanho da banda lijadora
Weight - excluding battery pack	Poids - sans batterie	Gewicht - ohne Akkupack	Peso - Excluyendo conjunto de batería	Peso - Senza gruppo batteria	Gewicht - exclusief accupack	Peso - excluindo conjunto de bateria
Weight According to EPTA-Procedure 01/2003	Poids Selon la procédure EPTA 01/2003	Gewicht Gemäß EPTA-Verfahren 01/2003	Peso Según el procedimiento EPTA 01/2003	Peso Secondo quanto indicato dalla EPTA-Procedure 01/2003	Gewicht Overeenkomstig de EPTA-procedure 01/2003	Peso De acordo com o Procedimento EPTA 01/2003
Measured sound values determined according to EN 60745:	Valeurs du son mesuré déterminées selon EN 60745:	Gemäß EN 60745: gemessene Schallwerte	Valores medidos del sonido en función de la norma EN 60745:	Valori del suono misurati determinati secondo lo standard EN 60745:	Gemeten geluidswaarden bepaald in overeenstemming met EN 60745:	Valores medidos do som em função da norma EN 60745:
A-weighted sound pressure level	Niveau de pression sonore pondéré A	A-bewerteter Schalldruckpegel	Nivel de presión acústica ponderada en A	Livello di pressione sonora pesato A	A-gewogen geluidsdrukniveau	Nível de pressão sonora ponderada A
Uncertainty K	Incertitude K	Unsicherheit K	Incertidumbre K	Incertezza K	Onzekerheid K	Incerteza K
A-weighted sound power level	Niveau de puissance sonore pondéré A	A-bewerteter Schalleistungspegel	Nivel de potencia acústica ponderada en A	Livello di potenza sonora pesato A	A-gewogen geluidsniveau	Nível de potência sonora ponderada A
Uncertainty K	Incertitude K	Unsicherheit K	Incertidumbre K	Incertezza K	Onzekerheid K	Incerteza K
Wear ear protectors.	Portez une protection acoustique.	Tragen Sie Gehörschutz.	Utilice protección auditiva!	Indossare protezioni acustiche adeguate.	Draag oorbeschermers.	Sempre use a protecção dos ouvidos.
The vibration total values (triaxial vector sum) determined according to EN 60745:	La valeur totale des vibrations (somme vectorielle triaxiale) a été déterminée selon EN 60745:	Schwingungsgesamtwerte (Vektorsumme dreier Richtungen) ermittelt entsprechend EN 60745:	Los valores de vibración total (suma de vectores triax.), determinado según la norma EN 60745:	I valori totali delle vibrazioni (somma di vettori in tre direzioni) sono misurati conformemente alla norma EN 60745:	De totale trillingswaarden (triaxiale vectorsom) vastgesteld in overeenstemming met EN 60745:	Os valores totais de vibração (soma do vector triax) são determinados em conformidade com a EN60745:
Vibration emission value	Valeur d'émission de vibrations	Vibrationsemissionswert	Valor de emisión de vibraciones	Valore delle emissioni vibrazioni	Trillingsemisiewaarde	Valor de emissão de vibrações
Uncertainty K	Incertitude K	Unsicherheit K	Incertidumbre K	Incertezza K	Onzekerheid K	Incerteza K





Dansk	Svenska	Suomi	Norsk	Русский	Polski	
Produktspecifikationer	Produktspecifikationer	Tuotteen tekniset tiedot	Produktspesifikasjoner	Характеристики изделия	Parametry techniczne	
Båndsliber	Bandslip	Nauhahiomakone	Båndsliper	Ленточная шлифовальная машина	Szlifyktra taśmowa	
Model	Modell	Malli	Modell	Модель	Model	R18BS
Spænding	Spänning	Jännite	Spenning	Напряжение	Napięcie	18 V
Tomgangshastighed	Tomgångshastighet	Tyhjäkäyntinopeus	Hastighet ubelastet	Скорость на холостом ходу	Prędkość bez obciążenia	250 m/min
Størrelse af slibeområdet	Storlek på slipområdet	Hionta-alueen koko	Størrelsen på slibeområdet	Размер зоны шлифования	Obszar szlifowania	76 x 127 mm
Slibebandsstørrelse	Slipbandets storlek	Hiomanauhan koko	Størrelsen på slibebeltet	Размер абразивной ленты	Rozmiar taśmy ścierniej	76 x 457 mm
Vægt - Batteri medfølger ikke	Vikt - Batteri medfølger ej	Paino - ilman akkua	Vekt - uten batteripakke	Вес - без аккумуляторной батареи	Waga - bez akumulatora	2,65 kg
Vægt I henhold til EPTA-procedure 01/2003	Vikt Enligt EPTA 01/2003	Paino EPTA-menetelmän 01/2003 mukaan	Vekt I henhold til EPTA-prosedyre 01/2003	Вес Соответствует требованиям EPTA-Procedure 01/2003	Waga Zgodnie z procedurą EPTA 01/2003	3,08 kg
Målte lydverdier bestemt iht. EN 60745:	Uppmätta ljudvärden enligt EN 60745:	Mitatut arvot määritetty EN 60745: standardin mukaan:	Målte lydverdier bestemt iht. EN 60745:	Измеренные значения параметров звука определены в соответствии с EN 60745:	Zmierzone wartości akustyczne zgodnie z normą EN 60745:	
A-vægtet lydtryksniveau	A-vägd ljudtrycksnivå	A-painotettu äänenpainetaso	A-vektet lydtryknivå	Уровень А-взвешенного звукового давления	A-ważony poziom ciśnienia hałasu	$L_p = 85,5 \text{ dB(A)}$
Usikkerhed K	Osäkerhet K	Epätarkkuus K	Usikkerhet K	Разброс K	Niepełność pomiaru K	3 dB
A-vægtet lydeffektniveau	A-vägd ljudeffektsnivå	A-painotettu äänenoteho	A-vektet lydeffektnivå	Уровень А-взвешенной звуковой мощности	A-ważony poziom natężenia hałasu	$L_w = 96,5 \text{ dB(A)}$
Usikkerhed K	Osäkerhet K	Epätarkkuus K	Usikkerhet K	Разброс K	Niepełność pomiaru K	3 dB
Bær høreværn.	Bär hörselskydd.	Käytä korvasuojia.	Bruk hørselsvern.	Используйте наушники!	Stosować środki ochrony słuchu!	
Totale vibrationsværdier (triax vector sum) afgøres ifølge EN 60745:	Det totala vibrationsvärdet (treaxelvektorsumma) är framtaget enligt EN 60745:	Tärinän kokonaisarvot (kolmiakselinen vektorisumma) määritetty standardin EN 60745 mukaisesti:	De totale vibrasjonsverdiene (triax vektor-sum) er fastsatt i henhold til EN 60745:	суммарное значение вибрации (векторная сумма по трем координатам) определено в соответствии со стандартом EN 60745:	Wartości sumaryczne drgań (suma wektorowa przyspieszeń mierzona czujnikami typu triax) określone zgodnie z normą EN 60745:	
Vibrationsemissionsværdi	Vibrationsvärde	Tärinäarvo	Verdier for vibrasjonsutslipp	Значение вибрации	Poziom drgań	$a_n = 1,9 \text{ m/s}^2$
Usikkerhed K	Osäkerhet K	Epätarkkuus K	Usikkerhet K	Разброс K	Niepełność pomiaru K	1,5 m/s ²





Čeština	Magyar	Română	Latviski	Lietuviškai	Eesti
Technické údaje produktu	Termék műszaki adatai	Specificațiile produsului	Produkta specifikācijas	Gaminio techninės savybės	Toote tehnilised andmed
Pásová bruska	Szalagsziszoló	Șlefuitor cu bandă	Plāksņu slīpmašīna	Juostinės šlifavimo staklės	Lintlihvija
Model	Típus	Model	Modelis	Modelis	Mudeli tähis
Elektrické napětí	Feszültség	Tensiune	Spriegums	Įtampa	Pinge
Otáčky naprázdno	Üresjárati fordulatszám	Viteză în gol	Apgriezieni bez slodzes	Greitis be apkrovimo	Kiirus ilma koormuseta
Rozměr broušené oblasti	Csiszolási terület mérete	Mărimea zonei de șlefuit	Slīpēšanas zonas lielums	Šlifavimo ploto dydis	Lihvimisala suurus
Rozměr brusného pásu	Csiszolószalag mérete	Mărimea benzii de șlefuire	Slīpēšanas jostas lielums	Šlifavimo juostos dydis	Lihvlindi suurus
Hmotnost - bez baterie	Tömeg - akkumulátor nélkül	Greutate - exclusiv acumulatorul	Svars - izņemot akumulatora iepakojumu	Svoris - neįskaitant baterijos paketo	Mass - välja arvatud akupakett
Hmotnost Dle protokolu EPTA 01/2003	Tömeg A 01/2003 EPTA-eljárás szerint	Greutate În conformitate cu Procedura EPTA din 01/2003	Svars Saskaņā ar EPTA procedūru 01/2003	Svoris Pagal Europos elektrinių įrankių asociacijos (EPTA) nustatytą tvarką 01/2003	Mass Vastavalt EPTA-protseduurile 01/2003
Naměřené hodnoty hluku zjištěné dle EN 60745:	A hang értékek meghatározása az EN 60745: szerint történt:	Valori de sunet măsurate determinate în conformitate cu EN 60745:	Izmērītās skaņas vērtības ir noteiktas saskaņā ar EN 60745:	Išmatuotos garso vertės nustatytos pagal EN 60745:	Mõõtemäärtused on kindlaks määratud vastavalt standardile EN 60745:
Hladina akustického tlaku vážená funkcí A	A-súlyozott hangnyomásszint	Nivel de presiune acustică ponderată A	A-līmeņa skaņas spiediena līmenis	A svertinis garso slėgio lygis	A-kaalutud helirõhu tase
Nejistota K	Bizonytalanság K	Incertitudine K	Kļūdas vērtība K	Nepastovumas K	Mõõtemääramatus K
Hladina akustického výkonu vážená funkcí A	A-súlyozott hangteljesítményszint	Nivel de putere acustică ponderată A	A-līmeņa skaņas jaudas līmenis	A svertinis garso galios lygis	A-kaalutud helivõimsuse tase
Nejistota K	Bizonytalanság K	Incertitudine K	Kļūdas vērtība K	Nepastovumas K	Mõõtemääramatus K
Používejte chrániče sluchu.	Viseljen hallásvédőt.	Purtajet aparatoare de urechi.	Lietojiet dzirdes aizsargus.	Naudokite ausų apsaugos priemonės.	Kasutage kuulmiskaitsevahendeid.
Celkové hodnoty vibrací (třísosý vektorový součet) určené v souladu s EN 60745:	Vibráció teljes értékei (háromtengelyű vektorösszeg), az EN 60745 szerint meghatározva:	Valorile totale ale vibrațiilor (suma vectorială a trei direcții) au fost determinate conform EN 60745:	Vibrāciju kopējās vērtības (trīsasu vektoru summa) tiek noteiktas atbilstoši EN 60745:	Bendros vibracijos vertės (trikampio vektorių suma) nustatomos pagal EN 60745:	Vibratsiooni koguväärtused (kolme suuna vektorsumma) on vastavalt standardile EN 60745 määratud järgmiselt:
Úroveň emisí vibrací	Vibráció-kibocsátás értéke	Valoarea emisiilor de vibrații	Vibrāciju emisijas vērtība	Vibracijos emisijos vertė	Vibratsiooniemissiooni väärtus
Nejistota K	Bizonytalanság K	Incertitudine K	Kļūdas vērtība K	Nepastovumas K	Mõõtemääramatus K





Hrvatski	Slovensko	Slovenčina	България	українська мова	Türkçe	Ελληνικά	
Specifikacije proizvoda	Specifikacije izdelka	Špecifikácie produktu	Технически характеристики	Технічні характеристики продукту	Ürün Özellikleri	Προδιαγραφές Προϊόντος	
Trčna brusilica	Trčni brusilnik	Leštica	Лентова шлифовъчна машина	Стричко-шлифовальний верстат	Стричко-шлифовальні машини	Ταινιοτριβείο	
Model	Model	Model	Модел	Марка	Model	Μοντέλο	R18BS
Napon	Napetost	Napätie	Напряжение	Напряжение	Gerilim	Τάση	18 V
Brzina bez opterećenja	Hitrost brez obremenitve	Otáčky bez zaťaženia	Скорост на празен ход	Швидкість без навантаження	Bota hız	Ταύτητα στ κεν	250 m/min
Veličina područja brušenja	Velikost območja brušenja	Rozmer oblasti brúsenia	Размер на зоната за шлифоване	Розмір зони шлифування	Zımparalama alanı büyüklüğü	Μέγεθος επιφάνειας λείανσης	76 x 127 mm
Veličina brusune trake	Velikost brusilnega traku	Rozmer brúsneho pásu	Размер на шлифовъчната лента	Розмір шлифовальної стрічки	Zımparalama şeridi büyüklüğü	Μέγεθος ιμάντα λείανσης	76 x 457 mm
Težina - baterija nije uključena	Teža - razen baterij	Hmotnosť - okrem jednotky akumulátora	Тегло - без батерията	Вага - без акумулатора	Ağırlık - Harici batarya takımı	Βάρος - χωρίς μπαταρία	2,65 kg
Težina Prema EPTA-postupku 01/2003	Teža Skladno s postopkom EPTA 01/2003	Hmotnosť Podľa EPTA-Procedure 01/2003	Тегло (съответствие с EPTA 01/2003)	Вага (відповідно до процедури EPTA 01/2003)	Ağırlık EPTA-Prosedürü 01/2003'e göre	Βάρος Σύμφωνα με την Διαδικασία EPTA 01/2003	3,08 kg
Mijerna vrijednost zvuka određena je prema EN 60745:	Izmerjene zvočne vrednosti določene v skladu s standardom EN 60745:	Namerané hodnoty určené podľa EN 60745:	Измерените стойности на звука са определени в съответствие с EN 60745:	Измеренные значения параметров звука определены в соответствии с EN 60745:	EN 60745: e göre hesaplanmış ses değerleri:	Μετρημένες τιμές ήχου σύμφωνα με το EN 60745:	
Ponderirana razina tlaka zvuka	A-izmerjena raven zvočne tlaka	Vážená A hladina akustického tlaku	Ниво на шумово налягане с равнище А	А-зважений рівень звукового тиску	A ağırlıklı ses basıncı seviyesi	Α-σταθμισμένο επίπεδο πίεσης ήχου	$L_{w} = 85,5$ dB(A)
Neodređenost K	Nedoloč. K	Odhýlka K	Променливост (K)	Невизначеност K	Belirsizlik K	Αβεβαιότητα K	3 dB
Ponderirana razina zvučne snage	A-izmerjena raven zvočne moči	Vážená A hladina akustického výkonu	Ниво на силата на шума с равнище А	А-зважений рівень звукової потужності	A ağırlıklı ses gücü seviyesi	Α-σταθμισμένο επίπεδο έντασης ήχου	$L_{w} = 96,5$ dB(A)
Neodređenost K	Nedoloč. K	Odhýlka K	Променливост (K)	Невизначеност K	Belirsizlik K	Αβεβαιότητα K	3 dB
Nosite štitnike za uši.	Nosite ščitnike za ušesa.	Používajte chrániče sluchu.	Носете антифони	Діаметр ріжучої лінії.	Kulak koruyucu kullan.	Φοράτε ωτοασπίδες.	
Ponderirana energetska vrijednost Ukupne vrijednosti vibracija (triosni vektorski zbir) određuju se u skladu s EN 60745:	Skupna vrednost vibracij (vektorska vsota treh smeri) določena v skladu z EN 60745:	Celkové hodnoty vibrácií (súhrn triaxiálneho vektora) určuje norma EN 60745:	Общата стойност на вибрациите (триосна векторна сума) е определена в съответствие с EN 60745:	Суммарное значение вибрации (сумма векторов по трем координатным осям) определено в соответствии со стандартом EN 60745:	EN 60745 normuna uygun olarak belirlenmiş titreşim toplama değerleri (triaks vektör toplama):	Συνολικές αξίες κραδασμών (τριαξονικό διανυσματικό άθροισμα) σύμφωνα με EN 60745:	
Vrijednost emisija vibracije	Vrednost emisij vibracij	Hodnota emisij vibrácií	Стойност на вибрационните емисии	Значення вібраційної емісії	Titreşim emisyon değeri	Τιμή εκπομπών κραδασμών	$a_w = 1,9$ m/s ²
Neodređenost K	Nedoloč. K	Odhýlka K	Променливост (K)	Невизначеност K	Belirsizlik K	Αβεβαιότητα K	1,5 m/s ²





English	Français	Deutsch	Español	Italiano	Nederlands	Português
Battery and charger	Batterie et chargeur	Akku und Ladegerät	Batería y cargador	Batteria e caricatore	Accu en lader	Bateria e carregador
Compatible battery pack (not included)	Pack batterie compatible (non compris)	Kompatible Akkus (nicht im Lieferumfang enthalten)	Packs de Batería compatibles (no incluido)	Gruppo batterie compatibile (non incluso)	Compatibel accupack (niet inbegrepen)	Baterias compatíveis (não incluída)
Lithium-ion	Lithium-ion	Lithium-Ionen	ión-litio	ioni di litio	Lithium-ion	lão-Lítio
Compatible charger (not included)	Chargeur compatible (non compris)	Kompatibles Ladegerät (nicht im Lieferumfang enthalten)	Cargador compatible (no incluido)	Caricatore compatibile (non incluso)	Compatibele oplader (niet inbegrepen)	Carregador compatível (não incluída)



Čeština	Magyar	Română	Latviski	Lietuviškai	Eesti
Baterie a nabíječka	Akkumulátor és töltő	Baterie și încărcător	Akumulators un lādētājs	Baterija ir įkroviklis	Aku ja laadija
Kompatibilní akumulátor (nepřibalen)	Kompatibilis akkumulátor (nem tartozék)	Acumulatori compatibili (neinclus)	Saderīgu akumulatoru komplekts (nav kompl.)	Suderinamas baterijos paketas (nepriedama)	Ühilduvad akupaketid (ei ole komplektis)
Lithium iontový akumulátor	Lítiumion	Litiu-ion	Litija-jonu	Litis-jonas	Liitiumioon
Kompatibilní nabíječka (nepřibalen)	Kompatibilis töltő (nem tartozék)	Încărcător compatibil (neinclus)	Saderīgs lādētājs (nav kompl.)	Tinkamas įkroviklis (nepriedama)	Kasutatav laadija (ei ole komplektis)





Dansk	Svenska	Suomi	Norsk	Русский	Polски	
Batteri og oplader	Batteri och laddare	Akku ja laturi	Batteri og lader	Батарея и зарядное устройство	Akumulator i ładowarka	
Kompatibelt batteri (medfølger ikke)	Kompatibelt batteripack (inte inkluderat)	Yhteensopiva akku (ei mukana)	Kompatible batteripakker (ikke inkluderet)	Совместимая аккумуляторная батарея (не входит в комплект поставки)	Pasujące akumulatory (nie dołączona)	
Lithium-ion	Litiumjon	Litiumioni	Litium-Ion	Литий-ионная аккумуляторная батарея	Li-Ion	RB18L13 RB18L15 RB18L20 RB18L25 RB18L40 RB18L50
Kompatibel oplader (medfølger ikke)	Passande laddare (inte inkluderat)	Yhteensopiva laturi (ei mukana)	Kompatibel lader (ikke inkluderet)	Совместимое зарядное устройство (не входит в комплект поставки)	Odpowiednia ładowarka (nie dołączona)	BCS618 BCL14181H BCL14183H RC18150 RC18627 RC18120



Hrvatski	Slovensko	Slovenčina	България	українська мова	Türkçe	Ελληνικά	
Baterija i punjač	Baterija in polnilnik	Akumulátor a nabíjačka	Батерия и зарядно устройство	Акумулятор і зарядний пристрій	Batarya ve şarj aleti	Μπαταρία και φορτιστής	
Kompatibilno pakiranje baterija (nije uključeno)	Združljive baterije (ni priložen)	Kompatibilná jednofáza akumulátorov (nie je súčasťou balenia)	Съвместима акумулаторна батерия (не е включена в комплекта)	Сумісний акумулятор (не входить в комплект)	Uyumlu pil takımı (dahil değildir)	Συμβατή μπαταρία (δεν περιλαμβάνεται)	
Litij-ion	Litij-ionska	Lítium-iónová	Литиево-ионна	Літій-іонний	Lityum-Iyon	Λιθίου-Ιόντων	RB18L13 RB18L15 RB18L20 RB18L25 RB18L40 RB18L50
Kompatibilni punjač (nije uključeno)	Združljiv polnilec (ni priložen)	Kompatibilná nabíjačka (nie je súčasťou balenia)	Съвместимо зарядно устройство (не е включено в комплекта)	Сумісний зарядний пристрій (не входить в комплект)	Uyumlu şarj cihazı (dahil değildir)	Συμβατός φορτιστής (δεν περιλαμβάνεται)	BCS618 BCL14181H BCL14183H RC18150 RC18627 RC18120





EN WARNING

The vibration emission level given in this information sheet has been measured in accordance with a standardised test given in EN 60745 and may be used to compare one tool with another. It may be used for a preliminary assessment of exposure. The declared vibration emission level represents the main applications of the tool. However if the tool is used for different applications, with different accessories or poorly maintained, the vibration emission may differ. This may significantly increase the exposure level over the total working period.

An estimation of the level of exposure to vibration should also take into account the times when the tool is switched off or when it is running but not actually doing the job. This may significantly reduce the exposure level over the total working period. Identify additional safety measures to protect the operator from the effects of vibration such as: maintain the tool and the accessories, keep the hands warm, organisation of work patterns.

FR AVERTISSEMENT

Le niveau d'émission des vibrations indiqué dans cette feuille d'information a été mesuré en concordance avec un test normalisé fourni par EN60745 et peut être utilisé pour comparer un outil à un autre. Il peut être utilisé pour une évaluation préliminaire de l'exposition. Le niveau déclaré d'émission des vibrations s'applique à l'utilisation principale de l'outil. Toutefois, si l'outil est utilisé pour des applications différentes, avec des accessoires différents, ou mal entretenu, l'émission de vibrations peut être différente. Le niveau d'exposition peut en être augmenté de façon significative tout au long de la période de travail.

Une estimation du niveau d'exposition aux vibrations doit aussi prendre en compte les périodes où l'outil est arrêté ainsi que les périodes où il fonctionne sans vraiment travailler. Le niveau d'exposition pendant la durée totale du travail peut en être réduit de façon significative. Prenez en considération les mesures additionnelles de sécurité à prendre pour protéger l'opérateur des effets des vibrations telles que: maintien de l'outil et de ses accessoires, maintien des mains au chaud, organisation du travail.

DE WARNUNG

Der in diesem Informationsblatt genannte Schwingungspegel wurde entsprechend dem standardisierten Test von EN60745 gemessen und kann benutzt werden um das Werkzeug mit anderen zu vergleichen. Er kann benutzt werden, um eine vorausgehende Einschätzung der Exposition durchzuführen. Der genannte Schwingungspegel repräsentiert den Hauptteil des Einsatzbereichs des Werkzeugs. Jedoch kann das Werkzeug für verschiedene Einsatzbereiche benutzt werden. Mit unterschiedlichen Zusatzgeräten oder bei schlechter Wartung kann der Schwingungspegel unterschiedlich sein. Dadurch kann die Expositionshöhe über die gesamte Arbeitszeit signifikant erhöht werden.

Eine Einschätzung der Exposition zu Schwingungen sollte auch die Zeiten wenn das Werkzeug ausgeschaltet ist, oder wenn es angeschaltet aber nicht in Betrieb ist, in Betracht ziehen. Dadurch kann die Expositionshöhe über die gesamte Arbeitszeit signifikant reduziert werden. Identifizieren Sie zusätzliche Sicherheitsmaßnahmen um die Bedienungsperson vor den Effekten der Schwingungen zu schützen, wie zum Beispiel: Das Werkzeug und Zusatzgeräte warten, Hände warmhalten und Organisation der Arbeitszeiten.

ES ADVERTENCIA

El nivel de emisión de las vibraciones que figura en esta hoja de información se ha medido según una prueba estandarizada que figura en EN60745 y puede ser utilizado para comparar una herramienta con otra. Puede ser utilizado para una evaluación preliminar de la exposición. El nivel de emisión de las vibraciones declarado representa las principales aplicaciones de la herramienta. No obstante, si la herramienta se utiliza para diferentes aplicaciones, con diferentes accesorios o no recibe el mantenimiento adecuado, la emisión de las vibraciones puede ser diferente. Esto puede aumentar significativamente el nivel de exposición durante el período de trabajo total.

Una estimación del nivel de exposición a la vibración también debe tener en cuenta el tiempo en el que la herramienta está desconectada o cuando está conectada pero no está realizando ningún trabajo. Esto puede reducir significativamente el nivel de exposición durante el período de trabajo total. Identificar las medidas de seguridad adicionales para proteger al operador de los efectos de las vibraciones, tales como: mantenimiento de la herramienta y de los accesorios, y la organización de los patrones de trabajo.

IT AVVERTENZE

Il livello di vibrazioni indicato in questo foglio informativo è stato misurato seguendo un test svolto secondo i requisiti indicati dallo standard EN60745 e potrà essere utilizzato per paragonare un utensile con un altro. Potrà essere utilizzato per una valutazione preliminare dell'esposizione a vibrazioni. Il livello dichiarato di emissioni di vibrazioni viene indicato tenendo conto delle applicazioni principali dell'utensile. Comunque se l'utensile viene utilizzato per applicazioni diverse con accessori diversi o non viene correttamente conservato, il livello delle vibrazioni potrà variare. Ciò potrà significativamente aumentare il livello di esposizione alle vibrazioni durante il periodo di lavoro totale.

Una valutazione del livello di esposizione alle vibrazioni dovrà inoltre prendere in considerazione i tempi in cui l'utensile viene spento o è acceso ma non viene utilizzato. Ciò potrà significativamente ridurre il livello di esposizione in un periodo totale di funzionamento. Ulteriori misure di sicurezza per proteggere l'operatore dagli effetti delle vibrazioni come: conservare correttamente l'utensile e i suoi accessori, tenere le mani calde e organizzare i tempi di lavoro.

NL WAARSCHUWING

Het trillingsemissieniveau dat op dit informatieblad wordt gegeven, is gemeten in overeenstemming met een gestandaardiseerde test, vastgelegd in EN60745 en mag worden gebruikt om machines met elkaar te vergelijken. Het verklaarde trillingsemissieniveau geeft de hoofdtoepassing van het gereedschap weer. Als de machine echter voor andere toepassingen of met andere accessoires wordt gebruikt of slecht wordt onderhouden, kan de trillingsemissie verschillen. Dit kan de blootstelling gedurende de gehele werkduur aanzienlijk verhogen.

Bij een schatting van het niveau van blootstelling aan trillingen moet ook rekening worden gehouden met het aantal keren dat de machine wordt uitgeschakeld of draait, maar niet wordt gebruikt. Dit kan het niveau van blootstelling gedurende de gehele werkduur aanzienlijk verlagen. Stel bijkomende veiligheidsmaatregelen op om de gebruiker tegen de gevolgen van trillingen te beschermen: zoals onderhoud het gereedschap en de accessoires, houd de handen warm, de organisatie van werktijden.

PT AVISO

O nível de emissão de vibrações fornecido nesta folha de informações foi medido em conformidade com o teste uniformizado descrito em EN60745 e pode ser usado para comparar uma ferramenta com outra. Este pode ser usado para uma avaliação preliminar da exposição. O nível de emissão de vibração declarado refere-se à aplicação principal da ferramenta. Contudo, se a ferramenta for usada para aplicações diferentes, com acessórios diferentes ou não for devidamente mantida, a emissão de vibrações pode diferir. Isto pode fazer aumentar significativamente o nível de exposição ao longo do período de trabalho total.

Uma estimativa do nível de exposição às vibrações deve ter, também, em consideração o tempo durante o qual a ferramenta está desligada ou em que está ligada mas não está a realizar qualquer trabalho. Isto pode reduzir significativamente o nível de exposição durante o período total de trabalho. Identifique medidas adicionais de segurança que protejam o operário dos efeitos da vibração como a manutenção da ferramenta e dos acessórios, a manutenção das mãos quentes e a organização de padrões de trabalho.

DA ADVARSEL

Det angivne niveau for vibrationsemission på denne oplysningsside er blevet målt iht. en standardtest ifølge EN60745 og kan bruges til at sammenligne værktøjer indbyrdes. Det kan bruges til en foreløbig eksponeringsvurdering. Det opgivne niveau for vibrationsemission gælder, når værktøjet bruges til sit hovedformål. Men hvis værktøjet bruges til andre formål, når værktøjet eller med dårligt vedligeholdelse ekstraudstyr, kan vibrationsemissionen variere. Dette kan medføre en betragtelig stigning i eksponeringsniveauet set over hele arbejdsperioden.

Et skøn over niveauet for vibrationseksponering bør også tage højde for de perioder, hvor værktøjet er slukket, eller hvor det er tændt uden faktisk at være i brug. Dette kan medføre en betragtelig reduktion i eksponeringsniveauet set over hele arbejdsperioden. Træf ekstra sikkerhedsforanstaltninger til beskyttelse af operatøren mod virkningerne fra vibrationen som fx: vedligeholdelse værktøj og ekstraudstyr, holde hænderne varme, organisere arbejdsmonstre.





SV VARNING

Vibrationsnivåerna som uppges i det här dokumentet har uppmäts i enlighet med ett standardiserat test som beskrivs i EN60745 och som kan användas för att jämföra verktyg. Det kan användas som en preliminär bedömning av den vibration som användaren utsätts för. De deklarerade vibrationsvärdena motsvarar de som uppstår när verktyget används i sitt huvudsyfte. Om verktyget används i andra syften, med andra tillbehör eller om verktyget är dåligt underhållet kan vibrationsnivåerna vara annorlunda. Det kan kraftigt öka vibrationsnivåerna över den totala arbetsperioden.

En uppskattning av vibrationsnivåerna som användaren utsätts för ska också ta hänsyn till de stunder då verktyget är avstängt och när det går på tomgång. Detta kan kraftigt minska vibrationsnivåerna över den totala arbetsperioden. Andra säkerhetsåtgärder som kan skydda användaren från effekterna av vibrationer är: underhållning av verktyget och tillbehören, hålla händerna varma och organisera arbets sättet.

FI VAROITUS

Tämän tiedotteen tärnätaso on mitattu EN60745-standardien mukaisilla testeillä, ja niitä voidaan käyttää verrattaessa laitetta toiseen. Sitä voidaan käyttää arvioitaessa tärnävaikutusta. Ilmoitettu tärnätaso vastaa laitteen pääasiallista käyttötarkoitusta. Jos laitetta kuitenkin käytetään muuhun tarkoitukseen, muilla lisälaitteilla tai huonosti huolletuna, tärnätaso saattaa poiketa ilmoitetusta arvosta. Tämä voi kasvatata kokonaisaltistumista huomattavasti koko työjakson kuluessa.

Tärnän altistumistasoa arvioitaessa tulee huomioida ajat, jolloin laite on sammutettu tai kun se on käynnissä, mutta sitä ei käytetä varsinaiseen työskentelyyn. Tämä voi vähentää kokonaisaltistumista huomattavasti koko työjakson kuluessa. Käytä muitakin suojauskeinoja turvataksesi käyttäjän tärnävaikutukselta, kuten: huolla laite ja lisälaitteet, pidä kätesi lämpiminä, organisoi työnlukku.

NO ADVARSEL

Vibrasjonsnivået som oppgis på dette informasjonsarket er målt i henhold til en standardisert test gitt i EN60745 og kan brukes til å sammenligne ett verktøy med et annet. Det kan brukes til en foreløpig vurdering av eksponering. Det erklærte vibrasjonsnivået representerer hovedanvendelsen for verktøyet. Dersom verktøyet brukes for andre anvendelser, med forskjellige tilbehør eller med dårlig vedlikehold, vil vibrasjonsnivået kunne være annerledes. Det kan gi en betydelig økning av eksponeringsnivået over den totale arbeidsperioden.

En beregning av nivået for eksponering til vibrasjoner må også ta hensyn til den tiden verktøyet er slått av eller er i gang men ikke i faktisk bruk for å utføre den tiltenkte oppgaven. Dette kan gi en betydelig økning av eksponeringsnivået over den totale arbeidsperioden. Identifiser ytterligere sikkerhetstiltak for å beskytte den som bruker verktøyet fra virkningen av vibrasjoner, tiltak som: Vedlikehold verktøyet og tilbehør, hold hendene varme, organiser arbeidsmetodene.

RU ОСТОРОЖНО!

Уровень вибрации, приведенный в данном справочном листе, измерен согласно стандартизованным испытаниям, определенным в EN60745 и может использоваться для сравнения различных инструментов. Значение уровня может использоваться для предварительной оценки влияния вибрации. Заявленный уровень вибрации действителен для основного применения инструмента. Однако, если инструмент используется для других целей, с другими приспособлениями, или плохо обслуживается, уровень вибрации может отличаться от указанного. Это может значительно увеличить величину воздействия за общее время работы.

При оценке уровня воздействия вибрации следует также принять во внимание время простоя и холостой ход (когда инструмент выключен и когда включен, но работа не производится). Эти факторы могут значительно уменьшить величину воздействия вибрации за общее время работы. Определите дополнительные меры безопасности, защищающие работающего от влияния вибрации: техническое обслуживание инструмента и принадлежности, недопущение охлаждения рук, соответствующие приемы и распорядок работы.

PL OSTRZEŻENIE

Deklarowany poziom drgań został zmierzony za pomocą standardowej metody pomiaru określonej normą EN60745 i jego wyniki mogą służyć do porównywania tego urządzenia z innymi. Deklarowana wartość drgań może służyć do wstępnej oceny narażenia operatora na drgania. Deklarowany poziom drgań dotyczy podstawowych zastosowań urządzenia. Jednak w przypadku użycia urządzenia do innych zastosowań, z innymi przystawkami lub w przypadku niewłaściwego stanu technicznego urządzenia poziom drgań może odbiegać od deklarowanego. Może być to przyczyną zwiększenia stopnia narażenia operatora na drgania w całym okresie wykonywania pracy.

Podczas oceny narażenia na drgania należy również uwzględnić czas wyłączenia urządzenia oraz czas, w którym urządzenie jest włączone, jednak praca nie jest wykonywana. Czasy te mogą znacznie zmniejszyć stopień narażenia operatora na drgania w całym okresie wykonywania pracy. Należy określić dodatkowe środki ochrony operatora przed skutkami drgań, przykładowo: dbać o stan techniczny urządzenia i przystawek, dbać o zachowanie ciepłoty dłoni, odpowiednio zorganizować harmonogram wykonywania prac.

CS VAROVÁNÍ

Hodnota vibračních emisí uvedená v tomto informačním listu byla naměřena standardizovaným testem podle EN60745 a ji použít k porovnání s hodnotami jiných nástrojů. Může se používat k předběžnému odhadu vystavování vibračím. Uznaná hodnota vibračních emisí reprezentuje hlavní použití nástroje. Nicméně pokud se nástroj používá pro jiné použití, s různými doplňky nebo se nedostatečně neudržuje, mohou se vibrační emise lišit. Toto může výrazně zvýšit úroveň vystavení nad celkové pracovní období.

Odhad úrovně vystavení vibračím by měl vzít taktéž v potaz časy, kdy je chvění vypnuté, nebo když přístroj běží, ale nevykonává práci. Toto může výrazně snížit úroveň vystavení nad celkové pracovní období. Určete doplňující bezpečnostní opatření pro ochranu obsluhy před různými vibracemi, například: Udržujte nástroj a doplňky, udržujte ruce v teple, organizujte pracovní schéma.

HU FIGYELMEZTÉTES

A vibráció-kibocsátás adattal megadott értéke az EN60745 áttal meghatározott szabványosított mérési eljárás szerint lett megmértve, amely lehetővé teszi a különböző szerszámok összehasonlítását. Használható a kitettség előzetes felmérésére is. A nyilatkozatban szereplő kibocsátási érték a szerszám főbb alkalmazási tereleteire vonatkozik. Ugyanakkor, ha a szerszámot más alkalmazásokra, más kiegészítőkkel használják vagy rosszul tartják karban, a vibráció-kibocsátás értéke ettől eltérő is lehet. Ez jelentősen növelheti a kitettség szintjét a gép teljes használati időtartama során.

A vibrációnak való kitettség szintjének becslésekor figyelembe kell venni azokat az időintervallumokat is, amikor a szerszám ki van kapcsolva, vagy működik, de nem végeznek munkát vele. Ez jelentősen csökkentheti a kitettség szintjét a gép teljes használati időtartama során. Tegyén további óvintézkedéseket a kezelő vibrációval szembeni megvédése érdekében: tartsa karban a szerszámot és a tartozékokat, tartsa melegen a kezét, tervezzék meg a munkafolyamatot.

RO AVERTISMENT

Nivelul emisiilor de vibrații prezentat în cadrul acestei fișe cu informații a fost măsurat în conformitate cu un test standardizat furnizat în EN60745 și poate fi folosit la a compara o unealtă cu o alta. Poate fi folosit la o evaluare preliminară a expunerii. Nivelul declarat al emisiilor de vibrații reprezintă aplicațiile principale ale unelei. Cu toate acestea, în cazul în care unealta este utilizată pentru aplicații diferite, cu accesorii diferite sau întreținute necorespunzător, emisiile de vibrații pot diferi. Acestea pot crește semnificativ nivelul de expunere pe întreaga perioadă de lucru.

O estimare a nivelului de expunere la vibrații trebuie, de asemenea, să țină cont de tălile în care unealta este oprită sau de tălile în care aceasta funcționează fără a efectua propriu-zis sarcina de lucru. Acestea pot reduce semnificativ nivelul de expunere pe întreaga perioadă de lucru. Identificați măsuri de siguranță suplimentare pentru a proteja operatorul de efectele vibrațiilor, precum: întreținerea unelei și a accesoriilor, păstrarea mâinilor calde, organizarea de modele de lucru.





LV BRĪDINĀJUMS

Šajā datu lapā dotā vibrāciju emisijas vērtība ir mērīta saskaņā ar standartizēto testu, kas dots EN60745 un kuru var izmantot, lai salīdzinātu vienu instrumentu ar citu. To var izmantot aptuvenam ekspozīcijas novērtējumam. Deklarētais vibrāciju emisijas līmenis atbilst galvenajiem instrumenta pielietojumiem. Tomēr, ja instrumentu lieto citiem pielietojumiem, ar citiem piederumiem vai tas tiek slikti apkopots, vibrāciju emisijas vērtība var atšķirties. Tas var ievērojami palielināt ekspozīcijas līmeni visā darba periodā.

Vibrāciju ekspozīcijas līmeņa novērtējumam jāņem vērā laiks, kad instruments ir izslēgts vai ir ieslēgts, bet neviens nekādu darbu. Tas var ievērojami samazināt ekspozīcijas līmeni visā darba periodā. Identificējiet papildu drošības pasākumus, lai aizsargātu operatoru no vibrāciju iedarbības, piemēram, veiciet instrumenta un piederumu apkopi, turiet rokas siltas un pielāgojiet darba grafiku.

LT ĮSPĖJIMAS

Šiame lape nurodytas vibracijos emisijos lygis buvo išmatuotas pagal standartinį testą, aprašytą EN60745, ir gali būti naudojamas vieno įrankio su kitu palyginimui. Jis gali būti naudojamas preliminariam pavojaus įvertinimui. Deklaruotas vibracijos emisijos lygis priskiriamas pagrindinėms įrankio taikymo sritims. Tačiau, jei įrankis naudojamas kitiems tikslams, su kitokiais priedais ar įrankis prastai prižiūrimas, vibracijos emisija gali skirtis. Per visą darbo laikotarpį tai gali žymiai padidinti vibracijos keliamą pavojų.

Nustatant vibracijos keliamą pavojų taip pat būtina atsižvelgti į tai, kiek kartų įrankis yra išjungtas ar kai jis veikia, bet juo iš tikrųjų nedirbama. Per visą darbo laikotarpį tai gali žymiai sumažinti vibracijos keliamą pavojų. Naudokite papildomas apsaugas priemonės dirbančiam asmeniui apsaugoti nuo vibracijos poveikio, pvz.: prižiūrėti įrankį ir jo priedus, rankas laikyti šiltai, organizuoti darbo sesijas.

ET HOIATUS

Sellel inolehel esitatud vibratsioonitaseme väärtus on mõõdetud standardis EN60745 kirjeldatud katsemeetodiga ja seda võib kasutada tööriistade omakehiseks võrdlemiseks. Seda võib kasutada vibratsioonimõju eelhindamiseks. Deklareeritud vibratsioonitaseme väärtus kehtib tööriista tavakasutamisel. Kui aga kasutate tööriista muudeks kasutusotstarveteks, eriolehtelistel tarvikutega või kui tööriist on puudulikult hooldatud, siis võib vibratsiooniväärtus erineda. Sellistel juhtudel võib tööperioodi summaarne vibratsioonitaseme suureneda märgatavalt.

Vibratsiooniväärtuse taset tuleb arvestada ka sel ajal, kui tööriist on välja lülitatud või kui tööriist tööle, kuid ei tee tööoperatsiooni. Sellistel juhtudel võib tööperioodi ajal summaarne vibratsioonitaseme väheneda märgatavalt. Määrake kindlaks täiendavad ohutusmeetmed, et kaitsa operaatorit vibratsioonimõjude eest – tööriistade ja tarvikute hooldamine, käte soojas hoidmine ja töväheluste organiseerimine.

HR UPOZORENJE

Razina vrijednosti vibracija data u ovoj tablici s informacijama mjerena je skladno normiranom testu pruženom u EN60745 i može se koristiti za usporedbu jednog alata s drugim. Može se koristiti u početnom usklađivanju izloženosti. Objavljena razina vrijednosti vibracija predstavlja glavnu primjenu alata. Međutim, ako se alat koristi za druge primjene, s različitim dodatnim priborom ili je slabo održavan, vrijednost vibracija može se razlikovati. Ovo može značajno povećati razinu izloženosti tijekom ukupnog radnog razdoblja.

U procjeni razine izloženosti na vibraciju također treba uzeti u obzir vrijeme kada je alat isključen ili kada je pokrenut no ne i stvarno vrijeme rada. Ovo može značajno smanjiti razinu izloženosti tijekom ukupnog radnog razdoblja. Odredite dodatne sigurnosne mjere za zaštitu operatora od učinaka vibracije poput: održavanje alata i pribora, održavanje toplih ruku, organizacija obrazaca za rad.

SL OPOZORILO

Nivo emisij vibracij, naveden v tem informacijskem listu, je bil izmerjen v skladu s standardiziranim testom, ki je podan v EN60745, podatek pa se lahko uporablja za primerjavo enega orodja z drugim. Uporablja se ga lahko za predhodno oceno izpostavljenosti. Navedeni nivo emisij vibracij predstavlja glavne uporabe orodja. Vendar, če se orodje uporablja v druge namene in z različnimi nastavki oz. če je orodje slabo vzdrževano, se lahko emisije vibracij razlikujejo. To lahko občutno poveča nivo izpostavljenosti v skupnem delovnem času.

Ocena nivoja izpostavljenosti vibracijam bi morala prav tako upoštevati, koliko krat je orodje bilo izključeno ali je v delovanju in pravzaprav ne opravlja svojega dela. To lahko občutno zmanjša nivo izpostavljenosti v skupnem delovnem času. Upoštevajte dodatne varnostne ukrepe, da bi upravljavca zaščitili pred vplivom vibracij, kot je: vzdržujte orodje in nastavke, pazite, da so roke tople, organizirajte delovne vzorce.

SK VAROVANIE

Úroveň emisie vibrácií, uvedená v tomto informačnom hárku bola nameraná v súlade so štandardizovaným testom, daný normou EN60745 a môže sa použiť na porovnanie jedného nástroja s druhým. Môže sa použiť na predbežné určenie miery vystavenia sa vibráciám. Uvedená úroveň emisie vibrácií predstavuje hlavné aplikácie nástroja. Avšak keď sa nástroj používa na iné aplikácie, s rôznym príslušenstvom alebo má zlú údržbu, úroveň vibrácií sa môže líšiť. Týmto sa môže výrazne zvýšiť úroveň vystavenia sa vibráciám počas celkového času práce.

Odhad úrovne vystavenia sa vibráciám by sa mal brať tiež do úvahy, vždy, keď sa nástroj vypne, alebo potom, keď beží ale v skutočnosti sa nevykonáva práca. Týmto sa môže výrazne znížiť úroveň vystavenia sa vibráciám počas celkového času práce. Nasledovné doplnujúce bezpečnostné opatrenia pomáhajú chrániť operátora od účinkov vibrácií: údržba nástroja a príslušenstva, udržiavanie teplých držadiel, organizácia práce.

BG ВНИМАНИЕ

Посоченото в тези инструкции ниво на вибрациите е измерено в съответствие със стандартизиран в EN 60745 измервателен метод и може да се използва за сравнение на електрически инструменти помежду им. Подходящ е и за временна оценка на вибрационното натоварване. Посоченото ниво на вибрациите представя основните приложения на електрическия инструмент. Ако обаче електрическият инструмент се използва с друго предназначение, с различни сменяеми инструменти или при недостатъчна техническа поддръжка, нивото на вибрациите може да е различно. Това чувствително може да увеличи вибрационното натоварване по време на целия работен цикъл.

За точната оценка на вибрационното натоварване трябва да се вземат предвид и периодите от време, в които уредът е изключен или работи, но в действителност не се използва. Това чувствително може да намали вибрационното натоварване по време на целия работен цикъл. Определете допълнителни мерки по техника на безопасност в защита на обслужващия работник от въздействието на вибрациите като например: техническа поддръжка на електрическия инструмент и сменяемите инструменти, поддръжане на ръцете топли, организация на работния цикъл.

UK ПОПЕРЕДЖЕННЯ

Рівень вібрації, зазначений у цьому інформаційному листку, був розрахований відповідно зі стандартизованим випробуванням, наведеним в EN 60745 і може використовуватися для порівняння одного інструмента з іншим. Він може бути використаний для попередньої оцінки впливу. Зазначений рівень вібрації представляє основні застосування інструменту. Тим не менш, якщо інструмент використовується для різних додатків, з різними аксесуарами і недоглянутий, рівень вібрації може відрізнятись. Це може значно підвищити рівень впливу протягом усього робочого періоду.

При оцінюванні рівня впливу вібрації необхідно також враховувати час, коли інструмент вимкнений або коли він працює, але насправді не виконує ніякої роботи. Це може значно зменшити рівень впливу протягом усього робочого періоду. Для захисту оператора від впливу вібрації, визначте додаткові заходи безпеки, такі як: ретельний догляд за інструментом і приладдям, тримання рук в теплі, і організація схеми роботи.



TR UYARI

Bu bilgi sayfasında verilen titreşim emisyon seviyesi, EN60745 standardında belirtilen standartlaştırılmış bir teste uygun olarak ölçülmüş ve bir aleti diğeriyle karşılaştırmak için kullanılabilir. On maruz kalma tespiti için kullanılabilir. Beyan edilen titreşim emisyon seviyesi aletin asıl uygulamalarını temsil etmektedir. Ancak alet, farklı aksesuarlarla veya yetersiz bakımlı olarak farklı uygulamalar için kullanılırsa titreşim emisyonu değişebilir. Bu durum toplam çalışma süresi boyunca maruz kalma seviyesini önemli ölçüde artırır.

Titreşime maruz kalma seviyesinin değerlendirilmesi aynı zamanda alet kapalı ve ardından çalışır ancak gerçek anlamda iş yapmadığı zamanlar da göz önünde bulundurulmalıdır. Bu durum toplam çalışma süresi boyunca maruz kalma seviyesini önemli ölçüde azaltır. Operatörü titreşimin etkilerinden korumak için ilave güvenlik önlemleri belirleyin, örneğin: aletin ve aksesuarlarının bakımını yapmak, operatörün ellerini sıcak tutmak, çalışma modellerini organize etmek.

EL ΠΡΟΕΙΔΟΠΟΙΗΣΗ

Τα επίπεδα εκπομπών κραδασμών που παρέχονται στο παρόν ενημερωτικό φυλλάδιο, έχουν μετρηθεί βάσει τυποποιημένης δοκιμής που προβλέπεται στο EN60745 και μπορούν να συγκριθούν για τη σύγκριση του εργαλείου με άλλα. Μπορούν επίσης να χρησιμοποιηθούν για προκαταρκτική αξιολόγηση της έκθεσης. Τα δηλωμένα επίπεδα εκπομπών κραδασμών αφορούν τις βασικές εφαρμογές του εργαλείου. Ωστόσο, αν το εργαλείο χρησιμοποιείται για διαφορετικές εφαρμογές, με διαφορετικά εξαρτήματα ή με κακή συντήρηση, η εκπομπή κραδασμών μπορεί να διαφέρει. Αυτό μπορεί να αυξήσει σημαντικά το επίπεδο έκθεσης στη συνολική περίοδο εργασίας.

Η εκτίμηση των επιπέδων έκθεσης σε κραδασμούς θα πρέπει επίσης να λαμβάνει υπόψη τις χρονικές περιόδους κατά τις οποίες το εργαλείο είναι απενεργοποιημένο ή λειτουργεί χωρίς να χρησιμοποιείται σε συγκεκριμένη εργασία. Αυτό μπορεί να μειώσει σημαντικά το επίπεδο έκθεσης στη συνολική περίοδο εργασίας. Εφαρμόστε επιπρόσθετα μέτρα ασφαλείας για την προστασία του χειριστή από τις επιπτώσεις των κραδασμών, όπως τα εξής: συντηρείτε το εργαλείο και τα εξαρτήματα, διατηρείτε τα χέρια ζεστά, οργανώστε μοτίβα εργασίας.

EN RYOBI® WARRANTY APPLICATION CONDITIONS

In addition to any statutory rights resulting from the purchase, this product is covered by a warranty as stated below.

1. The warranty period is 24 months for consumers and commences on the date the product was purchased. This date has to be documented by an invoice or other proof of purchase. The product is designed and dedicated to consumer and private use only. So there is no warranty provided in case of professional or commercial use. This warranty applies only on new products.
2. There is a possibility to extend for a part of the range of power tools (AC/DC) the warranty period over the period described above using the registration on the www.ryobitools.eu website. The eligibility of products for extended warranty is clearly displayed in stores and / or on packaging and is contained within the product documentation. The end user is required to register his/her newly-acquired products online within 30 days from the date of purchase. The end user may register for the extended warranty in his/her country of residence if listed on the online registration form where this option is valid. Furthermore, end users must give their consent to the storage of their personal data that is required to be entered online. They must also accept the terms and conditions. The registration confirmation receipt, which is sent out by e-mail, and the original invoice showing the date of purchase will serve as proof of the extended warranty.
3. The warranty covers all defects of the product during the warranty period due to faults in workmanship or material at the purchase date. The warranty is limited to repair and/or replacement and does not include any other obligations including but not limited to incidental or consequential damages. The warranty is not valid if the product has been misused, used contrary to the instruction manual, or has been incorrectly connected to a power supply. This warranty does not apply to:
 - any damage to the product that is the result of improper or lack of maintenance
 - any product that has been altered or modified
 - any product where original identification (trade mark, serial number) markings have been defaced, altered or removed
 - any damage caused by non-observance of the instruction manual
 - any product not displaying the CE approval mark on the rating plate
 - any product that has been attempted to be repaired by a non-authorized warranty service centre or without prior authorisation by Techtronic Industries
 - any product connected to improper power supply (amps, voltage, frequency)
 - any damage caused by external influences (water, chemical, physical, shocks) or foreign substances
 - normal wear and tear spare parts
 - inappropriate use, overloading of the tool
 - use of non-approved accessories or parts
 - Power tool accessories provided with the tool or purchased separately, including but not limited to screw driver bits, drill bits, abrasive discs, sand paper and blades, lateral guide, etc.
 - Components (parts and accessories) subject to natural wear and tear, including but not limited to service & maintenance kits, carbon brushes, bearings, chuck, SDS drill bit attachment or reception, power cord, auxiliary handle, transport carry case, sanding plate, dust bag, dust exhaust tube, felt washers, impact wrench pins & springs, etc.
4. For servicing, the product must be sent or presented to a RYOBI authorised service station listed for each country in the following list of service station addresses. In some countries your local RYOBI dealer undertakes to send the product to the RYOBI service organisation. When sending a product to a RYOBI service station, the product should be safely packed without any dangerous contents such as petrol, marked with sender's address and accompanied by a short description of the fault.
5. A repair / replacement under this warranty is free of charge. It does not constitute an extension or a new start of the warranty period. Exchanged parts or products become our property. In some countries delivery charges or postage will have to be paid by the sender. Your statutory rights arising from the purchase of the product remain unaffected.
6. This warranty is valid in the European Community, Switzerland, Iceland, Norway, Liechtenstein, Turkey and Russia. Outside these areas, please contact your authorised RYOBI dealer to determine if another warranty applies.

AUTHORISED SERVICE CENTRE

To find an authorised service centre near you, visit <http://en.ryobitools.eu/header/service-and-support/service-agents>

FR RYOBI® CONDITIONS D'APPLICATION DE LA GARANTIE

En plus des droits statutaires liés à l'achat, ce produit est couvert par une garantie telle que décrite ci-dessous.

1. La durée de la garantie accordée au consommateur est de 24 mois à partir de la date d'achat. Cette date doit être authentifiée par une facture ou toute autre preuve d'achat. Le produit a été conçu en vue d'une utilisation strictement privée. Aucune garantie ne s'applique donc en cas d'utilisation professionnelle ou commerciale.
2. Il existe pour une partie de la gamme d'outils électroportatifs (AC/DC), une possibilité d'étendre la période de garantie au-delà de la période précédemment décrite en utilisant le formulaire d'enregistrement présent sur le site Internet www.ryobitools.eu. L'éligibilité d'un outil est clairement affichée dans les points de vente et/ou sur l'emballage et la documentation. L'utilisateur final doit enregistrer son/ses outil(s) nouvellement acheté(s) en ligne dans les 30 jours qui suivent la date d'achat. L'utilisateur a la possibilité de s'enregistrer pour l'extension de garantie dans son pays de résidence si celui-ci est listé dans le formulaire d'enregistrement en ligne où cette option est valide. L'utilisateur final doit donner son consentement pour l'enregistrement des données requises pour accéder au site et doit accepter les termes et conditions. La confirmation d'enregistrement, envoyée par courrier électronique, ainsi que la facture originale mentionnant la date d'achat serviront de preuve de l'extension de garantie.
3. La garantie couvre pendant la période de garantie les défauts des produits liés à la fabrication et aux matériaux à la date d'achat. La garantie est limitée à la réparation et/ou au remplacement et n'inclut aucune autre obligation, tel que, mais sans s'y limiter, les dommages accessoires ou indirects. La garantie est non valable en cas de mauvaise utilisation du produit, d'utilisation contraire aux instructions du mode d'emploi, ou en cas de branchement incorrect. Cette garantie ne s'applique pas pour :
 - tout dommage au produit résultant d'un mauvais entretien
 - tout produit ayant été altéré ou modifié
 - tout produit dont les marquages originaux d'identification (marque, numéro de série) ont été dégradés, altérés ou retirés
 - tout dommage causé par le non-respect des instructions du mode d'emploi
 - tout produit non CE
 - tout produit ayant subi une tentative de réparation par du personnel non qualifié ou sans autorisation préalable de Techtronic Industries
 - tout produit raccordé à une alimentation secteur non conforme (ampérage, voltage, fréquence)
 - tout dommage causé par des influences extérieures (chimiques, physiques, chocs) ou par des substances étrangères
 - l'usure normale des pièces consommables
 - une utilisation inappropriée, une surcharge de l'outil
 - l'utilisation de pièces ou accessoires non agréés
 - accessoires de l'outil électrique fournis avec l'outil ou achetés séparément. Cela comprend notamment les embouts de vissage, les forets de perceuse, les disques abrasifs, le papier de verre et les lames, le guide latéral
 - Les composants (pièces et accessoires) sujets à l'usure naturelle, ceci incluant notamment les mandrins, les charbons, adaptateurs SDS, les cordons d'alimentation, les poignées auxiliaires, les mallettes de transport, les plateaux de ponçage, les sacs collecteurs de poussière, les tubes d'extraction de poussière, les carrés de clé à choc, etc.
4. Si le produit doit être réparé, envoyez-le à un service après-vente agréé RYOBI dont vous trouverez ci-dessous la liste pour chaque pays. Dans certains pays, votre revendeur RYOBI se chargera d'envoyer le produit à un centre de réparation RYOBI. Lorsque vous envoyez un produit à un service après-vente RYOBI, celui-ci doit être correctement emballé, sans contenir aucun produit dangereux tel que de l'essence, et vous devez indiquer votre adresse ainsi qu'une courte description du problème.
5. Une réparation / un remplacement sous garantie est gratuit(e). Ceci ne constituera pas une extension de garantie ni un nouveau départ de la période de garantie. Les pièces ou les outils remplacés deviennent notre propriété. Dans certains pays, les frais de port devront être assumés par l'expéditeur. Vos droits statutaires restent inchangés.
6. Cette garantie est valable au sein de l'Europe, de la Suisse, de l'Islande, de la Norvège, du Liechtenstein, de la Turquie, de la Russie. En dehors de ces zones, veuillez contacter votre distributeur agréé RYOBI pour déterminer si une autre garantie s'applique.

SERVICE APRÈS-VENTE AGRÉÉ

Pour trouver le service après-vente agréé le plus proche, rendez-vous sur <http://fr.ryobitools.eu/header/service-and-support/service-agents>.

DE RYOBI® GARANTIEBEDINGUNGEN

Zusätzlich zu den gesetzlichen Rechten aus dem Kauf gilt für dieses Produkt die nachstehend aufgeführte Garantie.

- Der Garantiezeitraum beträgt für Verbraucher 24 Monate und beginnt mit dem Datum des Kaufs. Dieses Datum muss durch eine Rechnung oder einen anderen Kaufbeleg dokumentiert werden. Dieses Produkt wurde ausschließlich zur privaten Nutzung durch Verbraucher entwickelt. Für den Fall einer professionellen bzw. kommerziellen Nutzung besteht daher keine Garantie.
- Es besteht die Möglichkeit, für einen Teil des Sortiments der Elektrogeräte (AC/CC) den Garantiezeitraum über den oben genannten Zeitraum hinaus zu verlängern, indem der Verbraucher die Registrierung auf der Website www.ryobitools.eu durchführt. Die Berechtigung der Werkzeuge für die Garantieverlängerung ist deutlich im Geschäft und/oder auf der Verpackung beschrieben und in der Produktdokumentation erwähnt. Der Verbraucher muss das neu erworbene Gerät online innerhalb von 30 Tagen ab dem Kaufdatum registrieren. Der Verbraucher kann das Gerät zwecks Garantieverlängerung in seinem Wohnsitzland/Heimatland registrieren, wenn dieses Land auf dem Online-Registrierungsformular aufgeführt ist und die Option gültig ist. Darüber hinaus muss der Verbraucher seine Zustimmung zur Speicherung der Daten geben, die online eingegeben werden müssen, und er muss die allgemeinen Geschäftsbedingungen akzeptieren. Die Bestätigung der Registrierung, die per E-Mail versandt wird, und die Originalrechnung mit dem Kaufdatum gelten als Beleg für die Garantieverlängerung.
- Die Garantie deckt alle Defekte des Geräts während des Garantiezeitraums ab, die auf zum Zeitpunkt des Kaufs bestehende Verarbeitungs- oder Materialfehler zurückzuführen sind. Die Garantie beschränkt sich auf Reparatur und/oder Ersatz und beinhaltet keine anderen Verpflichtungen, insbesondere keinen Schadenersatz für Folge- oder Nebenschäden. Die Garantie gilt nicht, wenn das Gerät fehlerhaft eingesetzt wurde, gegensätzlich zur Bedienungsanleitung eingesetzt wurde oder falsch angeschlossen wurde. Die Garantie gilt nicht für Folgendes:
 - Schäden am Gerät, die auf unkorrekte Wartung zurückzuführen sind
 - Geräte, an denen Veränderungen vorgenommen wurden
 - Produkte, bei denen die ursprüngliche Identifizierung (Handelsmarke, Seriennummer) unleserlich gemacht, verändert oder entfernt wurde
 - Schäden durch Nichtbeachtung der Bedienungsanleitung
 - nicht-CE-zertifizierte Geräte
 - Geräte, an denen durch nicht-qualifizierte Personen oder ohne vorherige Genehmigung von Techtronic Industries Reparaturversuche vorgenommen wurden
 - Geräte, die an unkorrekte Energiequellen (Ampere, Volt, Frequenz) angeschlossen wurden
 - Schäden durch äußere Einflüsse (chemisch, physisch, Stöße) oder Fremdstoffe
 - normaler Verschleiß von Ersatzteilen
 - unangemessene Nutzung, Überlastung des Geräts
 - Nutzung nicht genehmigter Zubehörteile oder Ersatzteile
 - mit dem Gerät gelieferte oder separat erworbene Zubehörteile. Dieser Anschluss beinhaltet, ist aber nicht beschränkt auf Schraubendreher-Bits, Bohreinsätze, Schleifscheiben, Sandpapier und Klingen, Seitenführungen
 - Komponenten (Ersatzteile und Zubehörteile), die natürlichen und normalen Verschleißerscheinungen unterworfen sind, einschließlich aber nicht beschränkt auf: Service- und Wartungssätze, Kohlebürsten, Lager, Spannfutter, SDS-Bohreraufnahme /Bit-Adapter, Netzkabel, Zusatzhandgriff, Transportkoffer, Schleifteller, Staubbeutel, Staubabsaugrohr, Filzunterlegscheiben, Bolzen und Federn von Schlagschraubern usw.
- Zum Service muss das Gerät zu einer von RYOBI autorisierten Servicestation gebracht oder dorthin gesendet werden. Die Servicestationen für die einzelnen Länder sind in der folgenden Liste aufgeführt. In einigen Ländern sendet Ihr RYOBI-Händler vor Ort das Gerät an das RYOBI-Serviceunternehmen. Beim Einsenden an die RYOBI-Servicestation sollte das Gerät sicher verpackt sein, ohne gefährliche Inhalte wie Benzin, und es sollte mit der Adresse des Absenders und einer kurzen Beschreibung des Fehlers versehen sein.
- Eine Reparatur bzw. ein Ersatz gemäß dieser Garantie ist kostenlos. Hieraus ergibt sich weder eine Garantieverlängerung noch der Beginn eines neuen Garantiezeitraums. Die ausgetauschten Ersatzteile oder Werkzeuge gehen in unser Eigentum über. In einigen Ländern müssen die Zustellgebühren oder die Versandkosten vom Absender gezahlt werden. Ihre gesetzlichen Rechte aus dem Kauf des Geräts bleiben hiervon unberührt.
- Diese Garantie gilt in der Europäischen Union, der Schweiz, Island, Norwegen, Liechtenstein, der Türkei und Russland. Bitte wenden Sie sich außerhalb dieser Gebiete an Ihren autorisierten RYOBI-Händler, um festzustellen, ob eine andere Garantie gilt.

AUTORISIERTER KUNDENDIENST

Besuchen Sie <http://de.ryobitools.eu/header/service-and-support/service-agents>, um einen autorisierten Kundendienst in Ihrer Nähe zu finden.

ES CONDICIONES DE APLICACIÓN DE LA GARANTÍA DE RYOBI®

Además de cualquier derecho legal derivado de la compra, este producto está cubierto por una garantía que se indica a continuación.

- El periodo de garantía es de 24 meses para consumidores y comienza a la fecha en que se comprara el producto. Dicha fecha debe documentarse con una factura u otro comprobante de compra. El producto está diseñado y concebido únicamente para el uso privado del consumidor. Por lo tanto, no se ofrece garantía en caso de uso profesional o comercial.
- Existe la posibilidad de ampliar el periodo de garantía respecto a una parte de la gama de herramientas eléctricas (CA/CC) durante el periodo descrito más arriba y mediante el registro en el sitio web www.ryobitools.eu. La elegibilidad de las herramientas para que se amplíe el periodo de garantía se muestra claramente en las tiendas o en el embalaje y está incluida en la documentación del producto. El usuario final tiene que registrar en línea sus herramientas recientemente adquiridas en un plazo de 30 días a partir de la fecha de compra. El usuario final podrá registrarse para obtener la garantía ampliada en su país de residencia si este aparece en la lista del formulario de registro en línea cuando esta opción sea válida. Además, los usuarios finales deberán dar su consentimiento al almacenamiento de los datos necesarios para el acceso en línea y tienen que aceptar los términos y condiciones. El recibo de confirmación de registro, que se envía por correo electrónico, y la factura original que muestra la fecha de compra servirán como comprobante para la garantía ampliada.
- La garantía cubre todos los defectos del producto durante el periodo de garantía debido a fallos de mano de obra o material en la fecha de compra. La garantía se limita a la reparación o sustitución y no incluye ninguna otra obligación como, por ejemplo, daños accidentales o consecuentes. La garantía no es válida si se ha usado mal el producto, se ha usado contraviniendo el manual de instrucciones o se ha conectado de forma incorrecta. Esta garantía no es aplicable a:
 - ningún daño en el producto que sea consecuencia de un mantenimiento inadecuado
 - ningún producto que haya sido alterado o modificado
 - ningún producto en el que los marcados de identificación originales (marca comercial, número de serie) se hayan borrado, modificado o eliminado
 - ningún daño provocado por no seguir el manual de instrucciones
 - ningún producto que no sea CE
 - ningún producto que haya sufrido un intento de reparación por parte de un profesional no cualificado o sin la autorización previa de Techtronic Industries.
 - ningún producto conectado a un suministro eléctrico inadecuado (amperios, voltaje, frecuencia)
 - ningún daño causado por influencias externas (químicas, físicas, impactos) o sustancias extrañas
 - desgaste normal de piezas de repuesto
 - uso inadecuado, sobrecarga de la herramienta
 - uso de accesorios o piezas no aprobados
 - Accesorios de herramientas eléctricas proporcionados con la herramienta o comprados por separado. Tales exclusiones incluyen, entre otros, brocas de destornilladores, brocas de taladro, discos abrasivos, papel de lija y cuchillas, y guías laterales
 - Componentes (piezas y accesorios) sujetos a un desgaste natural, que incluyen, entre otros, equipos de servicio y mantenimiento, escobillas de carbono, cojinetes, pinzas, accesorio o recepción de broca de taladro SDS, cable eléctrico, manillar auxiliar, bolsa de transporte, hoja lijadora, bolsa de polvo, tubo de escape de polvo, disco de fieltro, pasadores y resortes de llave de impacto, etc.
- Para su mantenimiento, el producto debe enviarse o presentarse a una estación de servicio de RYOBI autorizada que figure en la siguiente lista de direcciones de estaciones de servicio por países. En algunos países, su distribuidor RYOBI local se responsabiliza de enviar el producto a la compañía de servicio de RYOBI. Cuando se envíe un producto a una estación de servicio de RYOBI, este debe estar empaquetado de forma segura sin contenidos peligrosos como gasolina, marcado con la dirección del remitente y acompañado de una breve descripción del fallo.
- Una reparación / sustitución con esta garantía es gratuita. No constituye una ampliación ni un nuevo comienzo del periodo de garantía. Las piezas o herramientas intercambiadas pasan a ser de nuestra propiedad. En algunos países, los gastos de envío o correo tendrá que pagarlos el remitente. Sus derechos legales derivados de esta compra de la herramienta no se verán afectados.
- Esta garantía es válida en la Unión Europea, Suiza, Islandia, Noruega, Liechtenstein, Turquía y Rusia. Fuera de estas zonas, póngase en contacto con su distribuidor de RYOBI autorizado para determinar si es aplicable otra garantía.

SERVICIO TÉCNICO AUTORIZADO

Para encontrar el servicio técnico autorizado más cercano, visite <http://es.ryobitools.eu/header/service-and-support/service-agents>



IT CONDIZIONI DI VALIDITÀ DELLA GARANZIA RYOBI®

In aggiunta ai diritti di legge risultanti dall'acquisto, il prodotto è coperto dalla garanzia sotto descritta.

- Il periodo di garanzia è di 24 mesi per i consumatori, a decorrere dalla data di acquisto del prodotto. La data deve essere documentata da una fattura o altra prova d'acquisto. Il prodotto è progettato e destinato solo all'utilizzo privato dei consumatori. Pertanto non viene fornita alcuna garanzia in caso di uso professionale o commerciale.
- Per una serie di utensili elettrici (CA/CC) è possibile prolungare il periodo di garanzia oltre quello descritto, registrandosi sul sito web www.ryobitools.eu. Gli utensili per i quali è possibile prolungare il periodo di garanzia sono chiaramente indicati nei negozi e/o sulle confezioni e nella documentazione dei prodotti. L'utente deve registrare online l'utensile acquistato entro 30 giorni dalla data di acquisto. L'utente può registrarsi per la garanzia prolungata nel proprio paese di residenza, se questo è elencato nel modulo di registrazione online dove questa opzione sia valida. Inoltre gli utenti devono fornire il proprio consenso alla conservazione dei dati da immettere online e devono accettare le condizioni generali. La conferma di registrazione, inviata tramite e-mail, e la fattura originale indicante la data di acquisto, costituiscono la prova della garanzia prolungata.
- La garanzia copre tutti i difetti del prodotto durante il periodo di garanzia, risultati da manodopera o materiali alla data di acquisto. La garanzia è limitata alla riparazione e/o sostituzione e non include alcun altro obbligo quali, a mero titolo esemplificativo, i danni incidentali o consequenziali. La garanzia non è valida se il prodotto è stato usato scorrettamente, in modo contrario al manuale di istruzioni o se è stato collegato in modo errato. La garanzia non è valida per:
 - qualsiasi danno al prodotto dovuto a manutenzione errata;
 - qualsiasi prodotto che sia stato alterato o modificato;
 - qualsiasi prodotto le cui marcate di identificazione originali (marchi di fabbrica, numero di serie) siano state cancellate, alterate o rimosse;
 - qualsiasi danno causato dalla non osservanza delle istruzioni del manuale;
 - qualsiasi prodotto privo di omologazione CE;
 - qualsiasi prodotto che sia stato sottoposto a un tentativo di riparazione da parte di un professionista non qualificato oppure senza la previa autorizzazione di Techtronic Industries;
 - qualsiasi prodotto collegato a un'alimentazione errata (per ampere, tensione, frequenza);
 - qualsiasi danno causato da influenze esterne (chimiche, fisiche, urti) o sostanze estranee;
 - la normale usura delle parti di ricambio;
 - uso inappropriato, sovraccarico dell'utensile;
 - uso di accessori o parti non omologate;
 - accessori per utensili elettrici forniti con l'utensile o acquistati separatamente. Questa esclusione comprende, a mero titolo esemplificativo, punte per cacciaviti, punte per trapani, dischi abrasivi, carta vetrata, lame e guide laterali;
 - componenti (parti e accessori) soggetti alla normale usura compresi, a mero titolo esemplificativo, kit di servizio e manutenzione, spazzole al carbonio, cuscinetti, mandrini, attacchi per punte a vite autopoterforante, cavi di alimentazione, maniglie ausiliarie, custodie di trasporto, piastre di levigatura, sacchetti per la polvere, tubi di scarico della polvere, rondelle di feltro, perni e molle per avvitatori ecc.
- Per la manutenzione il prodotto dev'essere spedito o portato presso uno dei centri assistenza autorizzati RYOBI elencati per ogni paese nel seguente elenco di indirizzi dei centri. In alcuni paesi il rivenditore locale RYOBI si incarica di inviare il prodotto all'organizzazione di assistenza RYOBI. Quando si invia un prodotto a un centro assistenza RYOBI, imballarlo in modo sicuro senza contenuti pericolosi come la benzina, apporre l'indirizzo del mittente e accompagnarlo da una breve descrizione del guasto.
- La riparazione/sostituzione ai sensi della presente garanzia è gratuita. Non costituisce un prolungamento o un nuovo inizio del periodo di garanzia. Le parti o gli utensili scambiati diventano di nostra proprietà. In alcuni paesi i costi di consegna o di spedizione postale devono essere pagati dal mittente. I diritti di legge derivanti dall'acquisto dell'utensile rimangono inalterati.
- La presente garanzia è valida in Unione Europea, Svizzera, Islanda, Norvegia, Liechtenstein, Turchia e Russia. Al di fuori di tali aree contattare il rivenditore autorizzato RYOBI per sapere se è valida un'altra garanzia.

CENTRO SERVIZI AUTORIZZATO

Per individuare il più vicino centro servizi autorizzato, visitare il sito <http://it.ryobitools.eu/header/service-and-support/service-agents>.

NL RYOBI® GARANTIEVOORWAARDEN

Naast de wettelijke rechten die voortvloeien uit de aankoop, wordt dit product gedekt door een garantie, zoals hieronder staat vermeld.

- De garantietermijn voor consumenten bedraagt 24 maanden en gaat in op de datum waarop het product is gekocht. Deze datum moet worden gedocumenteerd met een factuur of een ander aankoopbewijs. Het product is uitsluitend ontworpen en bedoeld voor persoonlijk gebruik door consumenten. Er wordt dus geen garantie gegeven voor professioneel of commercieel gebruik.
- Voor een deel van ons aanbod van elektrische gereedschappen (AC/DC) is het mogelijk om de garantietermijn te verlengen over de boven beschreven termijn, met behulp van de website www.ryobitools.eu. De gereedschappen die in aanmerking komen voor de verlenging van de garantietermijn wordt duidelijk weergegeven in winkels en/of verpakkingen en staat beschreven in de productdocumentatie. De eindgebruiker moet zijn/haar nieuw gekochte gereedschappen binnen 30 dagen na aankoop online registreren. De eindgebruiker kan zich registreren voor de verlengde garantietermijn als zijn woonland staat vermeld op het online registratieformulier waar deze optie geldt is. Bovendien moeten eindgebruikers toestemming geven voor de opslag van de gegevens die online ingevuld moeten worden en moeten ze de algemene voorwaarden accepteren. Het ontvangstbewijs van de registratie, dat per e-mail wordt verzonden en de oorspronkelijke factuur met de aankoopdatum vormt het bewijs van de verlengde garantietermijn.
- De garantie dekt tijdens de garantietermijn alle gebreken van het product vanwege defecten in vakmanschap of materiaal op de aankoopdatum. De garantie is beperkt tot reparatie en/of vervanging en bevat geen andere verplichtingen, waaronder maar niet beperkt tot incidentele of gevolgschade. De garantie is niet geldig als het product is misbruikt, in strijd met de gebruiksaanwijzing wordt gebruikt of onjuist is aangesloten. Deze garantie geldt niet voor:
 - alle schade aan het product die het gevolg is van onjuist onderhoud
 - elk product dat is veranderd of aangepast
 - elk product waar de oorspronkelijke identificatie (handelsmerk, serienummer) is beschadigd, gewijzigd of verwijderd
 - alle schade die is veroorzaakt door het niet opvolgen van de gebruiksaanwijzing
 - elk niet-CE-product
 - elk product waar een poging tot reparatie is gedaan door een niet-erkende professional of zonder voorafgaande toestemming door Techtronic Industries.
 - elk product dat is verbonden met een verkeerde voeding (amperage, spanning, frequentie)
 - alle schade die is veroorzaakt door externe invloeden (chemisch, fysisch, schokken) of vreemde stoffen
 - normale slijtage van reserveonderdelen
 - ongepast gebruik, overbelasting van het gereedschap
 - gebruik van niet-gegoedgekeurde accessoires of onderdelen
 - gereedschapsaccessoires die bij het gereedschap worden geleverd of afzonderlijk zijn aangeschaft. Zulke uitzonderingen bevatten, maar niet beperkt tot schroevendraaierbits, boorbits, slijpschijven, schuurpapier en zagen, laterale geleiding
 - Componenten (onderdelen en accessoires) die onderhevig zijn aan natuurlijke slijtage, waaronder maar niet beperkt tot service-onderhoudsets, koolstofborstels, lagers, boorkoppen, SDS boorbitbevestigingen of ontvangers, stroomsoeren, hulpprepen, transporttassen, schuurplateaus, stofzakken, stofafvoerbuizen, vilttringen, pennen en veren van slagmoersleutels, etc.
- Voor onderhoud moet het product worden verzonden of gebracht naar een erkend servicecenter van RYOBI die voor elk land staan vermeld in de volgende lijst met adressen voor servicecentra. In sommige landen zal uw lokale RYOBI-dealer het product verzenden naar de RYOBI-serviceorganisatie. Wanneer u het product naar een servicecenter van RYOBI verzendt, moet het product veilig worden verpakt zonder enige gevaarlijke inhoud, zoals benzine, met het adres van de afzender en vergezeld van een korte beschrijving van het defect.
- Een reparatie/vervanging die onder deze garantie valt is gratis. Het vormt geen verlenging of een nieuwe start van de garantietermijn. Verwisselde onderdelen of gereedschappen worden ons eigendom. In sommige landen moeten de verzendkosten door de afzender worden betaald. Uw wettelijke rechten die voortvloeien uit de aankoop van het gereedschap blijven onaangetaast.
- Deze garantie is geldig in de Europese Gemeenschap, Zwitserland, Usland, Noorwegen, Liechtenstein, Turkije en Rusland. Buiten deze gebieden moet u contact opnemen met uw erkende RYOBI-dealer om vast te stellen of er een andere garantie van toepassing is.

GEAUTORISEERD ONDERHOUDSCENTRUM

Om een geautoriseerd onderhoudscentrum in uw buurt te vinden, surf u naar <http://nl.ryobitools.eu/header/service-and-support/service-agents>.



PT CONDIÇÕES DE APLICAÇÃO DA GARANTIA RYOBI®

Para além de quaisquer direitos previstos por lei resultantes da compra, este produto está coberto por uma garantia conforme descrição abaixo.

- O período da garantia é de 24 meses para consumidores particulares e inicia-se na data de compra do produto. Esta data tem de ser documentada por uma factura ou por outra prova de compra. O produto foi concebido para e destina-se apenas a consumidores particulares e uso privado. Assim, não é dada garantia em caso de utilização por profissionais ou uso comercial.
- Para uma parte da gama de ferramentas eléctricas (AC/DC) existe a possibilidade de prolongamento do período da garantia para além do período descrito acima, mediante registo no Web site www.ryobitools.eu. A elegibilidade das ferramentas para prolongamento do período da garantia é claramente visível nas lojas e/ou nas embalagens e está contida na documentação do produto. O utilizador final tem de fazer o registo online das suas ferramentas recém-adquiridas no prazo de 30 dias após a data de compra. O utilizador final pode fazer o registo para prolongamento da garantia no seu país de residência, desde que esteja listado no formulário de registo online e para os casos em que esta opção seja válida. Para além disso, os utilizadores finais têm de autorizar o armazenamento dos dados cujo preenchimento lhes for solicitado online e têm de aceitar os termos e as condições. O recibo de confirmação do registo é enviado por e-mail e, em conjunto com a factura original ostentando a data de compra, servirá de prova do prolongamento da garantia.
- A garantia cobre todos os defeitos do produto durante o período da garantia devidos a defeitos de fabrico ou de material à data da compra. A garantia está limitada à reparação e/ou substituição e não inclui quaisquer outras obrigações, incluindo mas não se limitando a, perdas complementares ou indirectas. A garantia não é válida se o produto tiver sido utilizado incorrectamente, utilizado de forma contrária ao Manual de Instruções ou se as respectivas ligações tiverem sido feitas incorrectamente. Esta garantia não se aplica ao seguinte:
 - quaisquer danos ao produto que sejam resultado de manutenção incorrecta
 - qualquer produto que tenha sido alterado ou modificado
 - qualquer produto cujas marcações de identificação de origem (marca comercial, número de série) tiverem sido apagadas, alteradas ou retiradas
 - quaisquer danos causados pelo incumprimento do Manual de Instruções
 - qualquer produto que não seja da Comunidade Europeia
 - qualquer produto ao qual tenha sido feita, ou tentada fazer, uma reparação por outra pessoa que não um profissional habilitado ou sem autorização prévia da Techtronic Industries.
 - qualquer produto ligado a uma fonte de alimentação eléctrica incorrecta (Amperes, Voltagem e Frequência)
 - qualquer dano causado por influências externas (químicas, físicas, impactos) ou substâncias estranhas
 - desgaste e degradação normal de sobresselentes
 - utilização incorrecta, sobrecarga da ferramenta
 - utilização de acessórios ou peças não aprovados
 - acessórios para ferramentas eléctricas fornecidos com a ferramenta ou comprados em separado. Estas exclusões incluem mas não se limitam a, pontas de aparafusadora, brocas, discos abrasivos, papel de lixa e lâminas, guia lateral
 - Componentes (peças e acessórios) sujeitos a desgaste e degradação natural, incluindo mas não se limitando a, Kits de Assistência e Manutenção, escovas de carvão, roletamentos, bucha, acessórios ou recepções de brocas SDS, cabos eléctricos, pegas auxiliares, estojos de transporte, placas de lixagem, sacos de poeiras, tubos de saída de poeiras, anilhas de feltro, pinos e molas da aparafusadora de impacto, etc.
- Para assistência, o produto tem de ser enviado para, ou apresentado em, um posto de assistência autorizado RYOBI, conforme listado para cada país na lista de moradas de postos de assistência seguinte. Nalguns países, o seu concessionário RYOBI local encarrega-se de enviar o produto para a organização de assistência RYOBI. Quando enviar um produto para um posto de assistência RYOBI, o produto deve ser embalado de forma segura, sem conter nenhuns conteúdos perigosos (por exemplo, gasolina), marcado com o endereço do remetente e acompanhado por uma breve descrição da avaria.
- Uma reparação/substituição ao abrigo desta garantia é gratuita. Não constitui um prolongamento a, nem um novo início de, o período da garantia. As peças ou ferramentas substituídas tornam-se propriedade nossa. Nalguns países, o remetente terá de pagar os custos de entrega ou a remessa postal. Os seus direitos previstos por lei resultantes da compra da ferramenta mantêm-se inalterados
- Esta garantia é válida na Comunidade Europeia, Suíça, Islândia, Noruega, Liechtenstein, Turquia e Rússia. Fora destas áreas, entre em contacto com o seu concessionário autorizado RYOBI para determinar se existe outra garantia aplicável.

CENTRO DE ASSISTÊNCIA AUTORIZADO

Para encontrar um centro de assistência autorizado próximo de si, visite <http://pt.ryobitools.eu/header/service-and-support/service-agents>.

DA RYOBI® BETINGELSER FOR GARANTI

Udover lovbestemte rettigheder, som resulterer af købet, er dette produkt dækket af en garanti, som anført herunder.

- Garantiperioden er 24 måneder for forbrugere og begynder på den dato, som produktet blev købt. Denne dato skal dokumenteres af en faktura eller andet bevis for køb. Produktet er udelukkende designet og dedikeret til forbrugere og privat brug. Så der ydes ingen garanti i tilfælde af professionel eller kommerciel brug.
- Der er en mulighed for at forlænge garantiperioden for en del af udvalget af elværktøj (AC/DC), hen over den ovenfor beskrivne periode vha. registrering på hjemmesiden www.ryobitools.eu. Bortsettelse af værktøjet til forlængelse af garantiperioden er tydeligt vist i butikker og/eller på emballage/og indeholdt i produktokumentationen. Slutbrugeren skal registrere hans/hendes nyligt indkøbte værktøj online indenfor 30 dage efter købsdatoen. Slutbrugeren kan registrere sig for den forlængede garanti i sit land, hvis han/hun er opført på den online registreringsformular, hvor denne mulighed er gyldig. Derudover skal slutbrugere give deres samtykke til at opbevare data, som er påkrævet at indtaste online, og de er nødt til at acceptere vilkår og betingelser. Registreringsbekræftelseskvitteringen, som sendes ud på e-mail, og den originale faktura, som viser købsdatoen, vil fungere som bevis for den forlængede garanti.
- Garanti dækker alle defekter, som et produkt måtte have i løbet af garantiperioden, og som skyldes produktionsfejl eller materialefejl på købsdatoen. Garantien er begrænset til reparation og/eller udskiftning og inkluderer ikke andre forpligtelser, inklusiv men ikke begrænset til tilfældige skader eller følgeskader. Garantien er ugyldig, hvis produktet er blevet misbrugt, brugt uden at overholde vejledningen, eller det er blevet forkert tilsluttet. Denne garanti gælder ikke:
 - Beskadigelse af produktet, som er et resultat af uegnet vedligeholdelse
 - Et produkt der er blevet ændret eller modificeret
 - Et produkt hvor de originale identifikationsmærkninger (varemærke, serienummer) er blevet ødelagt, ændret eller fjernet.
 - Enhver beskadigelse forårsaget af manglende overholdelse af vejledningen
 - Ethvert ikke CE-produkt
 - Ethvert produkt som er blevet forsøgt repareret af en ukvalificeret professionel eller uden tidligere autorisation af Techtronic Industries.
 - Ethvert produkt som er tilsluttet uegnet strømforsyning (ampere, spænding, frekvens)
 - Enhver skade forårsaget af ekstern påvirkning (kemisk, fysisk, chok) eller fremmedelementer
 - Normal slid på reservedele
 - Uegnet brug, overbelastning af værktøjet
 - Brug af ikke-godkendt tilbehør eller dele
 - Elværktøjstilbehør som leveres med værktøjet eller købes separat. Sådanne udtagelser inkluderer men er ikke begrænset til skruetrækkerbits, bor, bits, slibeskiver, sandpapir og klinger, sidestyrt
 - Komponenter (dele og tilbehør) som er udsat for naturligt slid og ælde, inklusiv men ikke begrænset til Service- og vedligeholdelsessæt, kulbrøster, lejer, bøsninger, påsætning eller modtagelse af SDS-bor, El ledning, hjælpehåndtag, transporttaske, sandplade, støvpose, støvudstødningslange, filterkiver, nåle og fjedre slagngøle etc.
- For eftersyn skal produktet sendes til eller præsenteres for en RYOBI-autoriseret service værksted, som er oplyst for hvert land i den følgende liste over service værksted adresser. I nogle lande påtager din lokale RYOBI-forhandler sig ansvaret for at sende produktet til RYOBI-serviceorganisationen. Når et produkt sendes til en RYOBI-service værksted, skal det pakkes sikkert ind uden noget farligt indhold som benzin, mærkes med afsenderens adresse og med en kort beskrivelse af fejlen.
- En reparation/erstatning under denne garanti er gratis. Den udgør ikke en forlængelse eller en ny start på garantiperioden. Udvekslede dele eller værktøjer bliver vores ejendom. I nogle lande skal leveringsafgifter eller porto betales af afsenderen. Dine lovbestemte rettigheder i forbindelse med købet forbliver uanfægtede
- Denne garanti gælder i EU, Schweiz, Island, Norge, Liechtenstein, Tyrkiet og Rusland. Udenfor disse områder bedes du kontakte din autoriserede RYOBI-forhandler for at afgøre, om en anden garanti gælder.

AUTORISEREDE SERVICE/VERKSTEDER

Find nærmeste autoriserede serviceværksted på <http://dk.ryobitools.eu/header/service-and-support/service-agents>.

SV RYOBI® ANVÄNDNINGSVILLKOR FÖR GARANTI

Förutom eventuella lagstadgade rättigheter som uppstår genom köpet, täcks den här produkten av en garanti som anges nedan.

1. Garantiperioden är 24 månader för konsumenter och börjar gälla från det datum då produkten köptes. Detta datum måste dokumenteras på en faktura eller annat köpbevis. Produkten är utformad och avsedd för konsumenter och privat bruk. Därmed tillhandahålls ingen garanti vid yrkesmässigt eller kommersiellt bruk.
2. Det finns möjlighet att förlänga garantiperioden för en del av utbudet för elverktyg (AC/DC) under den period som anges ovan genom att använda registreringen på webbplatsen www.ryobitools.eu. De verktyg som är berättigade till en förlängning av garantiperioden visas tydligt i butiker och/eller på förpackningen/och anges i produktdokumentationen. Slut användaren behöver registrera hans/hennes nyförvävade verktyg online inom 30 dagar från köpdatumet. Slut användaren kan registrera sig för den förlängda garantin i det land där han/hon bor om landet finns angivet i registreringsformuläret online och där detta alternativ är giltigt. Dessutom måste slut användaren ge sitt medgivande till lagring av data vilket krävs vid registrering online samt acceptera villkoren. Bekräftelsekvittot för registreringen som skickas ut via e-post och originalfakturan som visas köpdatumet kommer att gälla som bevis för den förlängda garantin.
3. Garantin täcker alla produktdefekter under garantiperioden som beror på brister i utförande eller material vid köpdatumet. Garantin är begränsad gällande reparation och/eller utbyte och inkluderar inte några skyldigheter inklusive men inte begränsat till oförutsedda skador eller följskador. Garantin är inte giltig om produkten har missbrukats, använts i strid med bruksanvisningen eller inte anslutits på rätt sätt. Denna garanti täcker inte:
 - eventuella skador på produkten som uppstått till följd av felaktigt underhåll
 - produkter som har ändrats eller modifierats
 - produkter där ursprungliga identifieringsmärkningar (varumärke, serienummer) har målats över, ändrats eller tagits bort
 - eventuella skador som uppstått till följd av att bruksanvisningen inte efterföljts
 - alla icke CE-produkter
 - eventuella produkter som har försökts repareras av en icke-kvalificerad yrkesman eller utan föregående medgivande från Technronic Industries.
 - eventuella produkter som anslutits till felaktig strömförsörjning (ampere, volt, frekvens)
 - eventuella skador som uppstått till följd av yttre påverkan (kemisk, fysisk, stötar) eller främmande ämnen
 - normalt slitage av reservdelar
 - olämplig användning, överbelastning av verktyget
 - användningen av icke-godkända tillbehör eller delar
 - tillbehör till elverktyg som medföljde verktyget eller köpts separat. Sådana undantag inkluderar men är inte begränsat till skruvmejselbits, borrbits, slipskivor, sandpapper, blad och sidoskena
 - Komponenter (delar och tillbehör) är föremål för naturligt slitage, inklusive men inte begränsat till service- och underhållsatsar, kolborstar, kullager, chuck, tillbehör eller tillhörande SDS-borrbitt, strömladd, hjälphandtag, transportväska, slipplatta, damppåse, dammtullblåsrör, filterbrickor, stift och fjädrar till mutterdragare osv.
4. Vid service måste produkten skickas eller uppvisas för en RYOBI- auktoriserad servicestation som står angiven för varje land i följande adresslista över servicestationer. I vissa länder tar din lokala RYOBI- återförsäljare på sig ansvaret att skicka produkten till RYOBI- serviceorganisationen. När en produkt skickas till en RYOBI- servicestation, ska produkten paketeras säkert utan något farligt innehåll såsom bensin, markeras med avsändarens adress samt en kort beskrivning av felet.
5. En reparation/ett utbyte under denna garanti är kostnadsfri. Det utgör inte en förlängning eller förnyelse av garantiperioden. Utbyta delar eller verktyg blir vår egendom. I vissa länder måste leveranskostnader eller porto betalas av avsändaren. Dina lagstadgade rättigheter som härrör från köpet av verktyget förblir opåverkade
6. Denna garanti är giltig i Europeiska gemenskapen: Schweiz, Island, Norge, Liechtenstein, Turkiet och Ryssland. Utanför dessa länder, kontakta din auktoriserade RYOBI-återförsäljare för att avgöra om en annan garanti gäller.

AUKTORISERAT SERVICECENTER

Du hittar närmaste auktoriserade servicecenter genom att gå till <http://se.ryobitools.eu/header/service-and-support/service-agents>.

FI RYOBI®-TAKUUN SOVELTAMISEHDOT

Tällä tuotteella on oston luomien lakisäästeiden oikeuksien ohella alla mainitun mukainen takuu.

1. Takuun kesto on kuluttajille 24 kuukautta ja takuuaika alkaa tuotteen ostohetkestä. Tämän päivämäärän tulee lukea laskussa tai muussa ostolotitissa. Tuote on suunniteltu ja tarkoitettu vain kuluttajien ja yksityiseen käyttöön. Takuu ei siis kata ammatti- eikä kaupallista käyttöä.
2. Joidenkin sähkötyökalujen (AC/DC) takuun kesto on mahdollista laajentaa yllä mainittua kestoä pidemmäksi verkossivuston www.ryobitools.eu rekisteröinnin kautta. Työkalujen kelppaisuus takuujakson laajennukseen näkyy selkeästi myymälöissä ja/tai pakkauksissa ja/ tai tämä tieto sisältyy tuotedokumentaation. Loppukäyttäjän täytyy rekisteröidä vasta hankitut työkalut internetissä 30 päivän kuluessa ostopäivämäärästä. Loppukäyttäjät voi rekisteröidä laajennetun takuun kotimaassaan, jos se on luetteluna online-rekisteröintilomakkeessa, jossa mainitaan, missä tämä vaihtoehto on voimassa. Loppukäyttäjien täytyy lisäksi hyväksyä tietojen tallennus, jotka heidän täytyy antaa online-tilassa sekä ehdot. Rekisteröinnin vahvistuskuitti, joka lähetetään sähköpostitse, ja alkuperäinen ostopäivämäärän ilmaiseva lasku toimivat laajennetun takuun tositteina.
3. Takuu kattaa kaikki tuotteeseen takuuaikana tulevat viat, joiden aiheuttajina ovat tuotteessa ostopäivänä olleet valmistus- tai materiaali viat. Takuu on rajoitettu korjaukseen ja/tai vaihtoon eikä se sisällä mitään mallea velvoitteita mukaan lukien satunnais- ja seurannaisvaihintoja, mutta rajoittumatta niihin. Takuu ei päde, jos tuotetta on käylytty väärin, käyttöohjeen vastaisesti tai jos se on liitetty virheellisesti. Tämä takuu ei kata:
 - virheellisestä huollosta johtuvia vaurioita
 - muunnettua tai muutettua tuotetta
 - tuotetta, jonka alkuperäiset tunnistemerkinnät (tavaramerkki, sarjanumero) on turmeltu, muutettu tai poistettu
 - tämän käyttöoppaan laiminlyönnistä johtuvia vaurioita
 - ei-CE-tuotetta
 - tuotetta, jota on yrittänyt korjata epäpätevä ammattilainen tai joka on korjattu ilman Technronic Industriesin emakkoluopaa.
 - tuotetta, joka on liitetty virheelliseen teholähteeseen (ampeirit, jännite, taajuus)
 - ulkoisten vaikutusten (kemiallinen, fyysinen, iskut) tai vieraiden aineiden aiheuttamaa vauriota
 - normaaleja kuluvia vaurioita
 - virheellistä käyttöä, työkalun ylikuormitusta
 - ei-hyväksytyjen tarvikkeiden tai osien käyttöä
 - sähkötyökalun tarvikkeita, jotka on toimitettu työkalun mukana tai ostettu erikseen. Poissuljettuja osia ovat ruuvausterät, poranterät, hiomalaikat, hiekkapaperi ja terät, sivuohjain, näihin kuitenkaan rajoittumatta
 - Luonnollisesti kuluvia komponentteja (osia tai tarvikkeita), joihin sisältyvät huolto- ja kunnossapitoset, hiiliharjat, laakerit, terästäkat, SDS-porien kiinnittin tai istukka, virtajohto, apukahva, kuljetuskotelo, hiomalaikka, pölypussi, pölynpoistoputki, huopatiivisteet, iskunvääntimen pultit ja jouset yms. näihin kuitenkaan rajoittumatta.
4. Tuote on lähetettävä huollettavaksi valtuutettuun RYOBI-huoltoon tai näyteltävä siellä. Niiden osoitteet kussakin maassa löytyvät seuraavasta luettelosta. Joissakin maissa paikallinen RYOBI-jälleenmyyjä huolehtii tuotteen lähetyksestä RYOBI-huolto-organisaatioon. Kun tuote lähetetään RYOBI-huoltoon, se täytyy pakata hyvin ilman vaarallisia aineita, kuten polttoainetta, ja pakkaukseen täytyy merkitä lähettäjän nimi sekä vain lyhyt kuvaus.
5. Takuun kattama korjaus/vaihto on maksuton. Se ei tarkoita takuuaajan laajennusta tai alkamista alusta. Vaihdetut osat tai työkalut siirtyvät valmistajan omistukseen. Joissakin maissa lähettäjän täytyy maksaa lähetyksustannukset tai postikulut. Työkalun oston luomat lakisäästeiset oikeudet pysyvät koskemattomina
6. Tämä takuu on voimassa Euroopan yhteisössä, Sveitsissä, Islannissa, Norjassa, Liechtensteinissä, Turkissa ja Venäjällä. Ota näiden alueiden ulkopuolella yhteyttä omaan valtuutettuun RYOBI-jälleenmyyjään ja selvitä, onko jotain muuta takuuta.

VALTUUTETTU HUOLTO

Voit etsiä lähimmän valtuutetun huollon sivulta <http://fi.ryobitools.eu/header/service-and-support/service-agents>.

NO RYOBI® GARANTIBETINGELSER

I tillegg til eventuelle lovbestemte rettigheter som følger av kjøpet, er dette produktet dekket av en garanti som angitt nedenfor.

- Garantiperioden er 24 måneder for konsumenter og gjelder fra den datoen som produktet ble kjøpt. Denne datoen skal dokumenteres med en faktura eller annet kjøpsbevis. Produktet er designet og beregnet kun til konsument- og privat bruk. Så det gis ingen garanti ved profesjonell eller kommersiell bruk.
- For en del av utvalget av elektriske verktøy (AC/DC) er det mulighet til å utvide garantiperioden i den perioden som er beskrevet ovenfor ved bruk av registreringer på nettsidene www.ryobitools.eu. Kvalifisering av verktøyene for en utvidelse av garantiperioden er tydelig vist i butikker og/eller på pakningen / og finnes innen produktdokumentasjonen. Sluttbrukeren må registrere sine nylig anskaffede verktøy online innen 30 dager etter kjøpsdato. Sluttbrukeren kan registrere seg for den utvidede garantien i sitt land hvis det er opplistet på online registreringsskjemaet der dette alternativet er gyldig. Videre må sluttbrukere gi sitt samtykke til oppbevaring av dataene som kreves for å gå online, og de må godta vilkår og betingelser. Registreringsbekreftelsen, som sendes ut på e-post, og den originale fakturaen som viser kjøpsdato, vil tjene som bevis for den utvidede garantien.
- Garantien dekker alle defekter i produktet under garantiperioden på grunn av defekter i utførelse eller materiale på kjøpsdato. Garantien er begrenset til å reparere og/eller erstatte og inkluderer ikke noen andre forpliktelser, inkludert, men ikke begrenset til, tilfældige eller følgesmessige skader. Garantien er ikke gyldig hvis produktet har blitt misbrukt, brukt på annen måte enn det som beskrives i bruksanvisningen eller er koblet til på feil måte. Denne garantien gjelder ikke for:
 - enhver skade på produktet som er resultat av utlisterkkelig vedlikehold
 - ethvert produkt som har blitt endret eller modifisert
 - ethvert produkt der de originale identifiseringsmerkene (varemerke, serienummer) har blitt uleselig, er endret eller fjernet
 - enhver skade som forårsakes av ikke-overholdelse av instruksjonshåndboken
 - ethvert ikke-CE-produkt
 - ethvert produkt som har blitt forsøkt reparert eller av en ikke-kvalifisert fagperson eller uten tidligere autorisasjon fra Techtronic Industries.
 - ethvert produkt tilkoblet feil strømforsyning (ampere, spenning, frekvens)
 - enhver skade som er forårsaket av eksterne påvirkninger (kjemiske, fysiske, støt) eller fremmede stoffer
 - normal slitasje og slitereservedeler
 - feil bruk, overbelastning av verktøyet
 - bruk av ikke-godkjent tilbehør eller deler
 - Elektrisk verktøytilbehør levert med verktøyet eller kjøpt separat. Slike ekskluderinger, inkludert, men ikke begrenset til skrutrekkerbits, drillbits, slipedisker, sandpapir og blader, lateral føring
 - Komponenter (deler og tilbehør) som er utsatt for naturlig slitasje, inkludert, men ikke begrenset til service- og vedlikeholdssett, karbonborster, lagre, chuck, SDS-borrbifeste eller -mottak, strømledning, hjelpehåndtak, transportbæreske, sandingsplate, støvpose, støvutslippsrør, filtpakninger, støtnøkkelplinner og fjær, osv.
- For service må produktet sendes eller fremlegges for en RYOBI-autorisert servicestasjon opplistet for hvert land i den følgende listen over servicestasjonsadresser. I noen land sender den lokale RYOBI-forhandleren produktet til RYOBI serviceorganisasjonen. Ved å sende et produkt til en RYOBI servicestasjon skal produktet være sikkert pakket uten noe farlig innhold, slik som bensin, merket med senderens adresse og fulgt av en kort beskrivelse av feilen.
- En reparasjon/erstatning under denne garantien er gratis. Den utgjør ingen forlengelse eller en ny start av garantiperioden. Utvekslede deler eller verktøy blir vår eiendom. I noen land vil leveringskostnader eller frankering måtte betales av senderen. Dine lovbestemte rettigheter som oppstår fra kjøp av verktøyet forblir uberørt.
- Denne garantien er gyldig i EU, Sveits, Island, Norge, Liechtenstein, Tyrkia og Russland. Utenfor disse områdene ta kontakt med din autoriserte RYOBI-forhandler om en annen garanti gjelder.

AUTORISERT SERVICESENTER

For å finne et autorisert servicesenter i nærheten, gå til <http://no.ryobitools.eu/header/service-and-support/service-agents>.

RU УСЛОВИЯ ПРИМЕНЕНИЯ ГАРАНТИИ НА ПРОДУКЦИЮ RYOBI®

Помимо законных прав, возникающих при покупке, данное изделие покрывается гарантией в соответствии с приведенными ниже пунктами.

- Гарантийный период для покупателя составляет 24 месяца с даты покупки изделия. Дата покупки должна быть подтверждена полностью заполненным гарантийным талоном и чеком о покупке. Данное изделие предназначено только для частного использования покупателем. Поэтому гарантия не распространяется на использование в профессиональных или коммерческих целях.
- Предусмотрена возможность продления для части изделий линейки электроинструментов (AC/DC) гарантийного периода с помощью регистрации на сайте www.ryobitools.eu. Право инструмента на продление гарантийного периода четко указано в магазинах и / или на упаковке / и содержится в сопутствующей инструменту документации. Конечный пользователь должен зарегистрировать свой приобретенный инструмент в течение 30 дней с даты покупки. Конечный пользователь может зарегистрировать свой инструмент на продление гарантии в стране своего проживания, если она указана в форме онлайн-регистрации. Кроме того, конечный пользователь должен дать свое согласие на хранение данных, которые необходимо ввести в онлайн-форму и принять правила и условия. Подтверждение регистрации, которое вы получите по электронной почте, заполненный гарантийный талон и оригинальный чек, в котором указана дата покупки, будут служить доказательством продленной гарантии.
- Гарантия покрывает в течение гарантийного периода все дефекты качества или материала изделия на дату покупки. Гарантия ограничена ремонтом и / или заменой и не включает никакие другие обязательства, включая, но не ограничиваясь случайными или косвенными убытками. Гарантия становится недействительной, если изделие использовалось не по назначению, вопреки инструкциям, данным в Руководстве пользователя или было неправильно подключено. Настоящая гарантия не распространяется на:
 - любые повреждения изделия в результате неправильного технического обслуживания или недостаточного ухода за инструментом
 - любые изделия, подвергшиеся изменениям и модификации
 - любые изделия, оригинальные идентификационные отметки которого (торговая марка, серийный номер) были повреждены, изменены или удалены
 - любые повреждения, вызванные несоблюдением инструкций Руководства пользователя
 - любые изделия, не сертифицированные маркировкой "CE" для продажи в Европейском союзе
 - любые изделия, подвергшиеся попыткам ремонта неквалифицированным работником или без предварительного утверждения компании Techtronic Industries.
 - любые изделия, подключенные к неправильному источнику питания (сила тока, напряжение, частота)
 - любые повреждения, вызванные внешними воздействиями (химические, физические, удары) или посторонними веществами
 - естественный износ запасных деталей
 - несоответствующее использование, перегрузка инструмента
 - использование неутвержденных аксессуаров и неофициальных запасных частей
 - аксессуары электроинструментов, поставляемые с инструментом или приобретаемые отдельно. К этому списку относятся, но не исчерпывают его: сверла, шуруповёрты, дрели, абразивные диски, наждачную бумагу, лезвия и боковые направляющие компоненты (детали и аксессуары), подверженные естественному износу и разрыву, включая, но не ограничиваясь наборы для технического обслуживания, угольные щетки, подшипники, патроны, переходники SDS, кабели питания, дополнительные ручки, футляры для транспортировки, шифовальные подошвы, пылесборники, трубки для отвода пыли, войлочные шайбы, штыри и пружины ударных ключей и др.
- Для проведения технического обслуживания изделие следует направлять в авторизованные сервисные центры RYOBI, указанные для каждой страны в приведенном ниже списке адресов станций сервисного обслуживания. В некоторых странах местные дилеры RYOBI отправляют изделия в сервисные организации RYOBI. При отправке изделия в сервисный центр RYOBI, изделие должно быть безопасно упаковано и не содержать никаких опасных веществ, таких как бензин, должен быть подписан адрес отправителя и сопровождаться кратким описанием неисправности.
- Ремонт / замена проводится в рамках настоящей гарантии бесплатно. Он не продлевает гарантию и не начинает новый гарантийный период. Замененные детали и инструменты становятся нашей собственностью. В некоторых странах отправитель должен оплачивать стоимость отправки. Ваши законные права, возникающие при покупке инструмента, остаются неизменными.
- Данная гарантия действительна в Европейском Союзе, Швейцарии, Исландии, Норвегии, Лихтенштейне, Турции и России. Вне указанных территорий обращайтесь к своему авторизованному дилеру RYOBI, чтобы узнать, применяются ли условия каких-либо других гарантий.

УПОЛНОМОЧЕННЫЙ СЕРВИСНЫЙ ЦЕНТР

Чтобы найти ближайший уполномоченный сервисный центр, обратитесь к веб-сайту <http://ru.ryobitools.eu/header/service-and-support/service-agents>.

PL WARUNKI GWARANCJI RYOBI®

Oprócz praw ustawowych wynikających z zakupu produkt jest objęty gwarancją, której warunki podano poniżej.

1. Okres gwarancyjny wynosi 24 miesiące dla konsumentów i rozpoczyna się w dniu zakupu produktu. Datę zakupu należy udokumentować fakturą lub innym dowodem zakupu. Produkt został zaprojektowany i jest przeznaczony do użytku konsumenckiego i prywatnego. W związku z tym gwarancja nie obejmuje zastosowań profesjonalnych i komercyjnych.
2. Istnieje możliwość wydłużenia okresu gwarancyjnego dla części asortymentu narzędzi ręcznych z napędem mechanicznym (AC/DC) poprzez zarejestrowanie produktu na stronie internetowej www.ryobitools.eu. Kwalifikowalność narzędzi do wydłużenia okresu gwarancyjnego jest wyraźnie określona w sklepach i/lub na opakowaniu oraz w dokumentacji produktu. Użytkownik końcowy musi zarejestrować nowo kupione narzędzia online w ciągu 30 dni od daty zakupu. Użytkownik końcowy może zarejestrować się w celu przedłużenia gwarancji w swoim kraju zamieszkania, jeżeli jest on wymieniony w formularzu rejestracji online, gdzie opcja ta obowiązuje. Ponadto użytkownicy końcowi muszą wyrazić zgodę na przechowywanie danych, wprowadzanych na stronie internetowej i zaakceptować regulamin. Dowodem wydłużenia gwarancji jest wysłane pocztą elektroniczną potwierdzenie rejestracji i oryginalny faktury potwierdzającej datę zakupu.
3. Gwarancja obejmuje wszystkie wady produktu ujawnione w okresie gwarancyjnym wynikające usterek wykonania lub materiału obecnego w dniu zakupu. Gwarancja jest ograniczona do naprawy i/lub wymiany i nie obejmuje żadnych innych zobowiązań, w tym między innymi odpowiedzialności za szkodę przypadkową lub wtórne. Gwarancja nie obowiązuje, jeżeli produkt był nieprawidłowo używany, używany niezgodnie z instrukcją lub nie był prawidłowo podłączony. Gwarancja nie obejmuje:
 - uszkodzenia produktu wynikającego z nieprawidłowej konserwacji,
 - produktu, który został zmieniony lub zmodyfikowany,
 - produktu, którego oryginalne oznaczenie (znak towarowy, numer seryjny) zostało zniszczone, zmienione lub usunięte,
 - jakiegokolwiek uszkodzeń wynikających z nieprzebrzeżenia instrukcji,
 - jakiegokolwiek produktu bez certyfikatu CE,
 - jakiegokolwiek produktu, który próbowano naprawiać z pomocą niewykwalifikowanej osoby lub bez uzyskania wcześniejszej zgody firmy Techtronic Industries.
 - jakiegokolwiek produktu podłączonego nie prawidłowego źródła zasilania (nieprawidłowe napięcie prądu, napięcie, częstotliwość),
 - jakiegokolwiek uszkodzeń spowodowanych wpływem czynników zewnętrznych (chemicznych, fizycznych, drgań) lub substancji obcych,
 - normalnego zużycia części zamiennych,
 - nieprawidłowego użycia, przeciążenia narzędzia,
 - stosowania niezatwierdzonych akcesoriów lub części,
 - akcesoriów narzędzi ręcznych z napędem mechanicznym dostarczonych z narzędziem lub kupionych oddzielnie. Takie wykluczenia obejmują, między innymi, wymienne ostrza wkrętaka, wiertła, tarcze cierne, papier ścierny i ostrza, prowadnicę boczną.
 - elementów (części i akcesoriów) podlegających naturalnemu zużyciu obejmujących, między innymi, zestawy do konserwacji i serwisu, szczotki węglowe, łożyska, uchwyty, przystawkę wiertła SDS, gniazdo, przewód zasilania, uchwyty pomocnicze, skrzynię transportową, płytę szlifierską, worek pyłowy, rurę odprowadzania pyłu, podkładki filcowe, kolki i sprężyny klucza udarowego itp.
4. W celu serwisowania produkt należy wysłać lub okazać w autoryzowanym punkcie serwisowym RYOBI znajdującym się na przedstawionym poniżej wykazie punktów serwisowych w poszczególnych krajach. W niektórych krajach lokalny dystrybutor produktów RYOBI podejmuje się wysyłki produktu do centrum serwisowego RYOBI. W przypadku wysyłki do punktu serwisowego RYOBI produkt — pozbawiony jakiegokolwiek niebezpiecznych substancji, na przykład benzyny — należy bezpiecznie zapakować i dołączyć adres nadawcy oraz krótki opis usterek.
5. Naprawa/wymiana w ramach niniejszej gwarancji jest bezpłatna. Nie stanowi jednak o przedłużeniu lub rozpoczęciu od nowa biegu okresu gwarancyjnego. Wymienione części lub narzędzia stają się naszą własnością. W przypadku niektórych krajów nadawca będzie musiał uregulować koszty dostawy lub opłaty pocztowe. Prawa ustawowe wynikające z zakupu narzędzia pozostają niezmienione.
6. Niniejsza gwarancja obowiązuje w Unii Europejskiej, Szwajcarii, Islandii, Norwegii, Liechtensteinie, Turcji i Rosji. Poza tymi obszarami należy skontaktować się z autoryzowanym dostawcą produktów RYOBI i ustalić, czy obowiązuje inna gwarancja.

AUTORYZOWANY PUNKT SERWISOWY

Najbliższy autoryzowany punkt serwisowy można wyszukać w witrynie internetowej <http://pl.ryobitools.eu/header/service-and-support/service-agents>.

CS ZÁRUČNÍ PODMÍNKY RYOBI®

Kromě zákonných práv vyplývajících z koupě výrobku se na tento výrobek vztahuje také níže uvedené záruka.

1. Záruční doba pro spotřebitele je 24 měsíců a začíná datem nákupu výrobku. Datum musí být zaznamenáno na fakturě nebo jiném dokladu o koupi. Tento výrobek je navržen a určen pouze pro soukromé účely spotřebitelů. Záruka se tedy nevztahuje na profesionální nebo komerční využití výrobku.
2. U některých elektrických nástrojů (AC/DC) je možné záruční dobu prodloužit. K tomu je nutná registrace na stránkách www.ryobitools.eu. Možnost prodloužení záruční doby výrobků je jasně uvedena v prodejních, popř. na obalech nebo v dokumentech o výrobku. Koncový uživatel musí svůj nový nástroj zaregistrovat online do 30 dnů od data nákupu. Koncový uživatel se může k prodloužení záruční doby zaregistrovat v zemi trvalého pobytu, pokud je tato uvedena na internetovém registračním formuláři u výrobku, kde je tato možnost dostupná. Koncový uživatel musí dále souhlasit s uložením osobních údajů, která musí zadat na internetu, a přijmout obchodní podmínky. E-mail s původní registrací a původní faktura s datem koupě poslouží jako důkaz o prodloužení záruce.
3. Záruka se vztahuje na veškeré vady na výrobku v rámci záruční doby způsobené výrobními vadami nebo vadami materiálu v době koupě. Záruka je omezena na opravu, popřípadě výměnu a nezahrnuje žádné další povinnosti, včetně mimo jiné vedlejších či následných odškodnění. Záruka neplatí při použití výrobku k nevhodným účelům, v rozporu s uživatelskou příručkou nebo při nesprávném zapojení. Záruka se nevztahuje na:
 - veškeré škody na výrobku způsobené nesprávnou údržbou
 - veškeré produkty, které byly pozměněny nebo upraveny
 - veškeré produkty, kde byly původní identifikační prvky (obchodní značka, sériové číslo) poničeny, pozměněny nebo odstraněny
 - veškeré škody způsobené nedodržením pokynů uživatelské příručky
 - veškeré produkty bez CE certifikace
 - veškeré produkty, které se pokusil opravit nequalifikovaný odborník nebo opravy bez předchozího svolení společnosti Techtronic Industries.
 - veškeré produkty zapojené do nesprávného elektrického zdroje (proud, napětí, frekvence)
 - veškeré škody způsobené externími vlivy (chemickými, fyzickými, nárazy) nebo cizími látkami
 - běžné opotřebování dílů
 - nevhodné použití, přetěžování nástroje
 - použití neschválených příslušenství nebo dílů
 - příslušenství k elektrickému nástroji poskytnuté s nástrojem nebo zakoupené samostatně. Tyto výjimky se vztahují mimo jiné na šroubovací bity, vrtáky, brusné disky, brusný papír a čepele, postranní vodič lišty
 - komponenty (díly a příslušenství) podléhající přirozenému opotřebování, včetně mimo jiné servisních sad, karbonových kartáčů, ložisek, sklíčidla, SDS nástavce na vrtací bity, napájecího kabelu, pomocné rukojeti, přepravního pouzdra, brusné desky, prachového vaku, výfukové prachové trubice, plstěných podložek, západek a pruzin rázového utahovačku atd.
4. K provedení servisu musí být výrobek zaslán nebo předán do autorizovaného servisního centra společnosti RYOBI, jejichž adresy jsou uvedeny podle země v seznamu servisních center. V některých zemích z vás výrobek pošle servisní organizaci RYOBI sám prodejce výrobků této značky. Při zasílání výrobku do servisního centra RYOBI je potřeba výrobek bezpečně zabalit bez nebezpečného obsahu jako benzín, opatřit adresou odesílatele a přiložit krátký popis závady.
5. Oprava, popř. výměna v rámci této záruky je zdarma. Neznamená to prodloužení nebo začátek nové záruční lhůty. Vyměněné díly nebo nástroje přejdou do našeho vlastnictví. V některých zemích platí poštovné odesílatele. Vaše zákonná práva vyplývající z koupě tohoto nástroje utvářejí nedotčená.
6. Tato záruka platí v Evropském Společenství, Švýcarsku, Norsku, Lichtenštejnsku, Turecku, Rusku a na Islandu. Mimo tuto území kontaktujte autorizovaného prodejce značky RYOBI, který zjistí, zda se na výrobek vztahuje jiná záruka.

POVĚŘENÉ SERVISNÍ STŘEDISKO

Pro nalezení nejbližšího pověřeného servisního střediska navštivte <http://cz.ryobitools.eu/header/service-and-support/service-agents>.

HU A RYOBI® GARANCIA ALKALMAZÁSÁNAK FELTÉTELEI

A vásárlásból adódó törvényben rögzített jogok mellett a termékre az alábbi garancia vonatkozik.

1. A fogyasztói garancia tartama 24 hónap, mely a termék vásárlásának napjával kezdődik. Ezt a dátumot számlával vagy a vásárlást igazoló egyéb dokumentummal kell bizonyítani. A termék rendeltetése csak fogyasztói és magáncéllú használathoz. Ezért professzionális vagy kereskedelmi használat esetén a garancia nem érvényes.
2. A szerszámgépek (egyenáramú/váltóáramú) egy részénél a garancia időtartama a www.ryobitools.eu weblapon regisztrálva meghosszabbítható. Az áruházakban, a csomagolásban, illetve a termék dokumentációjában egyértelműen jelezzük, hogy az adott termék garanciája meghosszabbítható-e. A végfelhasználónak a vásárlás dátumától számított 30 napon belül regisztrálnia kell az újonnan vásárolt szerszámot. A végfelhasználó akkor regisztrálhatja a kiterjesztett garanciára, ha az ország, ahol lakik, fel van sorolva az online regisztrációs úrlapon azon országok között, ahol választható ez az opció. Ezenkívül a végfelhasználónak bele kell egyeznie az online regisztrálás során szükséges adatok tárolásába, és el kell fogadnia a felhasználási feltételeket. A kiterjesztett garanciát a regisztráció beérkezésétől e-mailben küldött visszaigazolás és a vásárlás dátumát tartalmazó eredeti számla igazolja.
3. A garancia a termék vásárlásakor fennálló, a gyártás során keletkezett hibákra és anyaghibákra érvényes a garanciális időtartamon belül. A garancia csak a javításra/cserére korlátozódik, és nem terjed ki semmilyen egyéb kötelezettségre, nem kizárólagosan ideértve a véletlen vagy szándékos rongálást. A garancia nem érvényes, ha a terméket nem megfelelően, a használati utasításban foglaltakkal ellentétben, illetve nem megfelelően csatlakoztatva használták. A garancia nem vonatkozik:
 - a terméket a nem megfelelő karbantartás következtében ért károsodásra
 - megváltoztatott vagy átalakított termékre
 - olyan termékre, melyben az eredeti azonosítókat (védjegy, sorozatszám) megrongálták, megváltoztatták vagy eltávolították
 - a használati utasítás be nem tartásából eredő kárra
 - CE jelöléssel nem rendelkező termékekre
 - olyan termékre, melyet nem képzett, illetve a Techtronic Industries által nem fejlesztett szerelvény javított
 - nem megfelelő (áramerősségű, feszültségű, frekvenciájú) áramforrásra csatlakoztatott termékre
 - külső (fizikai, ütés) hatásokból vagy idegen anyagokból eredő károkkra
 - a cserélhető alkatrészek természetes kopására és elhasználódására
 - a szerszám helytelen használatára, túlterhelésére
 - nem jóváhagyott tartozékok és alkatrészek használatára
 - A szerszámmal adott vagy külön megvásárolt tartozékokra. Ilyenek például (de nem kizárólag) a csavarhúzófejek, fúrószárak, csiszolókorongok, csiszolópapír, kések, oldallirányú terelők.
 - A természetes kopásnak, elhasználódásnak kitett alkatrészek és kiegészítők, például (de nem kizárólag) szerviz- és karbantartókészletek, szénkefék, csapagyak, tokmány, SDS fúrószár csatlakozója, tápkábel, segédfogantyú, szállítók, csiszolólap, porzsák, porelvezető cső, filcaltátek, ütőműves csavarbehajtó gép csapszege és rugója stb.
4. A terméket javításra el kell vinni egy meghatalmazott RYOBI szervizbe; ezeket az egyes országokhoz a következők listában találja. Egyes országokban a helyi RYOBI kereskedő vállalja a termék elszállítását a RYOBI szervizbe. A terméket veszélyes tartalom, például benzín nélkül csomagolja, a feladó címét feltüntetve, a hiba rövid leírásával együtt küldje el a RYOBI szervizbe.
5. A jelen garancia hatálya alatt végzett javítás, illetve csere ingyenes. Nem jelenti a garanciális időtartam újraindulását. A kicserélt alkatrészek és szerszámok a mi tulajdonunkba kerülnek. Egyes országokban a szállítás vagy postázás költségét a feladó viseli. A vevőnek a szerszám megvásárlásából adódó törvényes jogai nem változnak.
6. Jelen garancia az Európai Közösségben, Svájcban, Izlandon, Norvégiában, Liechtensteinben, Törökországban és Oroszországban érvényes. E területeken kívül kérdezze meg a RYOBI forgalmazót, hogy milyen garancia van érvényben.

HIVATALOS SZERVIZKÖZPONT

A legközelebbi hivatalos szervizközpont megtalálásához látogasson el a <http://hu.ryobitools.eu/header/service-and-support/service-agents>.

RO CONDIȚII DE APLICARE A GARANȚIEI PENTRU PRODUSELE RYOBI®

În plus față de condițiile statutare rezultate din achiziționarea acestui produs, acesta este acoperit de garanția stipulată mai jos.

1. Perioada de garanție este de 24 de luni pentru consumatori și începe de la data achiziționării produsului. Data de începere a garanției trebuie demonstrată cu o factură sau altă dovadă a cumpărării produsului. Produsul este destinat și conceput doar pentru utilizare în scopuri personale. Din acest motiv, nu se oferă garanție pentru utilizarea sa în scop profesional sau comercial.
2. Există posibilitatea de extindere a perioadei de garanție pentru gama de unelte electrice (de CA/CC) peste perioada stipulată mai sus prin înscrierea produsului pe [website-ul www.ryobitools.eu](http://www.ryobitools.eu). Eligibilitatea pentru perioada de extindere a garanției este afișată în mod clar în magazinele de vânzare și/sau pe ambalaj sau este inclusă în documentația livrată împreună cu produsul. Utilizatorul final este obligat să-și înregistreze produsul online în termen de maxim 30 de zile de la data achiziției acestuia. Utilizatorul final poate înregistra produsul pentru garanția extinsă oferită în țara sa de rezidență dacă aceasta este listată în formularul de înregistrare online și dacă această opțiune este validă. În plus, utilizatorul final trebuie să-și dea acordul pentru stocarea datelor personale solicitate la înregistrare online și trebuie să accepte termenii și condițiile. Mesajul de confirmare a înregistrării, trimis prin e-mail și factura originală cu data achiziției vor dovedi perioada de garanție extinsă.
3. Garanția acoperă toate defecțiunile produsului survenite în perioada de garanție datorate defectelor de execuție sau materialelor folosite, începând cu data achiziției acestuia. Garanția este limitată la reparare și/sau înlocuire și nu include alte obligații, inclusiv, dar fără a se limita la daune accidentale sau rezultate pe cale de consecință. Garanția își pierde valabilitatea dacă produsul este utilizat necorespunzător, utilizat neconform cu instrucțiunile de utilizare din manualul cu instrucțiuni sau conectat incorect. Garanția nu se aplică în cazul:
 - oricărei defecțiuni survenite în urma întreținerii necorespunzătoare a produsului
 - oricărui produs alterat sau modificat
 - oricărui produs la care inscripțiile cu datele de identificare (marca comercială, numărul de serie) au fost șterse, modificate sau îndepărtate
 - oricărei defecțiuni datorate neconformării cu instrucțiunile din manualul de utilizare
 - oricărui produs necertificat CE
 - oricărui produs asupra căruia au fost efectuate tentative de reparare de către personal necertificat sau fără autorizație prealabilă din partea Techtronic Industries.
 - oricărui produs conectat la o sursă de alimentare necorespunzătoare (curent, tensiune, frecvență)
 - oricărui defecțiuni datorate unor influențe externe (chimice, fizice, socuri) sau substanțe străine
 - uzurii și fisurării normale a pieselor de rezervă
 - utilizării neadecvate, suprasolicitării uneltei
 - utilizării de piese și accesorii neaprobate
 - accesorilor pentru uneltele furnizate odată cu acestea sau achiziționate separat. Acestea sunt excluse și aplică, dar fără a se limita la următoarele: burghie, biți de șurubelniță, discuri abrazive, hărte abrazivă și lame de tăiere, ghidaje laterale
 - Componentele (piese și accesorii) supuse uzurii normale, care includ, fără a se limita la, kituri de întreținere și service, perii de carbon, rulmenți, mandrină, adaptor pentru burghie SDS, cordon de alimentare, manere auxiliare, cutie de transport, placă pentru șlefuit, suport praf, tub pentru evacuarea prafului, discuri de păsă, adaptoare și resorturi pentru cheile de strângere prin vibrație, etc.
4. Pentru efectuarea reparațiilor, produsul trebuie trimis sau adus la un centru de reparații autorizat RYOBI din lista următoare de centre de reparații prezentate pentru fiecare țară. În anumite țări, reprezentantul local RYOBI va trimite produsul spre reparare la sediul central de reparații RYOBI. Atunci când trimiteți produsul spre reparare la un centru de reparații RYOBI, acesta trebuie ambalat în siguranță, fără conținut periculos (cum ar fi benzina), marcat cu adresa expeditorului și însoțit de o scurtă descriere a defectului.
5. Repararea/inlocuirea în perioada de garanție este gratuită. Aceasta nu este însoțită de o prelungire sau o reinițiere a perioadei de garanție. Piesele sau uneltele schimbate devin proprietatea dvs. În anumite țări, taxele de expediție sau poștale vor fi suportate de expeditor. Drepturile dvs. statutare rezultate din achiziția produsului rămân ne schimbate
6. Această garanție este valabilă în Comunitatea Europeană, Elveția, Islanda, Norvegia, Liechtenstein, Turcia și Rusia. În afara acestor zone, vă rugăm să contactați reprezentantul dvs. local RYOBI pentru a determina dacă se aplică alt tip de garanție.

CENTRU DE SERVICE AUTORIZAT

Pentru a găsi un centru de service autorizat lângă dvs., vizitați <http://en.ryobitools.eu/header/service-and-support/service-agents>.

LV RYOBI® GARANTIJAS PIEMĒROŠANAS NOSACĪJUMI

Papildus jebkādam likumiskajām tiesībām, kuras rodas, veicot pirkumu, izstrādājums tiek nodrošināts ar tālāk tekstā noteikto garantiju.

1. Garantijas periods patērētājiem ir 24 mēneši, tā atskaitē tiek sākta no datuma, kurā veikta izstrādājuma iegāde. Šim datumam jābūt dokumentētam rēķinā vai citā pirkumu apliecināšā dokumentā. Izstrādājums ir radīts un paredzēts tikai patērētāja privātai lietošanai. Saistībā ar iepriekšminēto, garantija netiek nodrošināta profesionālas vai komerciālas lietošanas gadījumā.
2. Pastāv iespēja pagarināt daļas no elektroinstrumentu klāsta (Maignstrāvas/akumulatoru) garantiju ilgāk par iepriekš minēto periodu, izmantojot reģistrāciju interneta vietnē www.ryobitools.eu. Instrumenti, kas pakļauti garantijas perioda pagarināšanai, tiek skaidri apzīmēti veikalos un/vai uz iepakojuma un izstrādājumu komplektējošajā dokumentācijā. Gala lietotājam nepieciešams reģistrēt lai iegādātu jauno instrumentu 30 dienu laikā no pirkuma datuma. Gala lietotājs var reģistrēties pagarinātajai garantijai savā mitnes valstī, ja tā minēta tiesaistes reģistrācijas veidlapā, kurā šī iespēja ir aktīva. Bez tam, gala lietotājam ir jāsniedz piekrišana tiesaistes ievadīšanai nepieciešamo datu glabāšanai un jāpiekrīt noteikumiem un nosacījumiem. Reģistrācijas apstiprinājums, kas tiek nosūtīts, izmantojot e-pastu, un rēķina oriģināls, kurā norādīts iegādes datums, kalpo kā pagarinātās garantijas apstiprinājums.
3. Garantija attiecas uz visiem izstrādājumu defektiem garantijas periodā, kas saistīti ar ražošanas vai materiālu defektiem no pirkuma datuma. Šī garantija tiek ierobežota ar remontu un/vai nomaiņu un neietver jebkādas citas saistības, tajā skaitā, bet ne tikai, cēloņsakarīgos vai saistītos bojājumus. Garantija nav spēkā, ja izstrādājums ir nepareizi lietots, izmantots pretēji norādēm lietošanas rokasgrāmatā vai bijis nepareizi pieslēgts. Šī garantija netiek attiecināta uz:
 - jebkādiem izstrādājuma bojājumiem, kas radušies nepareizas uzturēšanas rezultātā
 - jebkuru izstrādājumu, kas ticis pārveidots vai mainīts
 - jebkuru izstrādājumu, kura oriģinālās identifikācijas (preču zīme, sērijas numurs) marķējums ir ticis nodzēsts, mainīts vai noņemts
 - jebkādiem bojājumiem, kuri radušies neievērojot norādes lietošanas rokasgrāmatā
 - jebkādam izstrādājumam bez CE sertifikācijas
 - jebkuru izstrādājumam, kura remontu mēģinājis veikt nekvalificēts personāls vai bez Technronic Industries iepriekšējas autorizācijas.
 - jebkuru izstrādājumam, kurš bijis pieslēgts neatbilstošu parametru (strāvas, sprieguma, frekvences) sprieguma avotam
 - jebkuriem bojājumiem, kuri radušies ārējas iedarbības (ķīmiskas, fiziskas, triecieni) vai vielu ietekmē
 - detaļu normāla lietošanas nodiluma rezultātā
 - nepareizas lietošanas vai instrumentu pārslodzes rezultātā
 - neapstiprinātu detaļu vai aprīkojuma lietošanas rezultātā
 - elektroinstrumentu aksesuāriem, kas atrodas instrumenta komplektācijā vai ir iegādāti atsevišķi. Šis izņēmums attiecināms uz, bet neaprobežojoties ar, skrūvgrīvju uzgaļiem, urbjiem, abrazīvajiem diskkiem, smilšpapīru un asmeņiem, sānu vadotnēm
 - komponentiem (daļām un aksesuāriem), kas pakļauti normālam nodilumam, ieskaitot, bet neaprobežojoties ar Servisa un apkopju komplekti, oglekļa sukuks, gultņi, patrona, SDS urbju uztvērējiem vai uzlikas, elektrības vads, papildus rukturis, transportēšanas un pārmēsāšanas kaste, stipmašīnas plāksne, putekļu maiss, putekļu izvadīšanas caurule, paplākšņi, triecienatslēgu tapas un atsperes, u.t.t.
4. Servisa nodrošināšanai, izstrādājums ir jānodod pilnvarotā RYOBI servisa centrā, kas norādīts katrai valstij tālāk minētajā servisa centru adresē sarakstā. Dažas valstīs jūsu vietējais RYOBI izplatītājs uzņemas izstrādājuma nosūtīšanu uz RYOBI servisa organizāciju. Nosūtot izstrādājumu uz RYOBI servisa centru, izstrādājuma jābūt droši iepakotam, tas nedrīkst saturēt bīstamas vielas kā degvielu, sūtfūjumam jābūt marķētam ar sūtfūtajā adresi un īsu kļūmes aprakstu.
5. Remonts/nomaiņa šīs garantijas ietvaros ir bezmaksas. Tas nerada garantijas perioda pagarināšanu vai jaunu garantiju. Nomaiņās daļas vai instrumentu kļūst par mūsu īpašumu. Dažas valstīs piegādes vai pasta izmaksas būs jāapmaksā sūtfūtajam. Jūsu likumiskās tiesības, kas nodibinās, iegādājoties instrumentu, paliek nemainīgas
6. Šī garantija ir spēkā Eiropas Kopienā, Šveicē, Islandē, Norvēģijā, Lihtenšteinā, Turcijā un Krievijā. Ārpus šīm teritorijām, lūdzu, sazinieties ar jūsu pilnvaroto RYOBI izplatītāju, lai noteiktu, vai ir piemērojama cita garantija.

AUTORIZĒTS APKALPOŠANAS CENTRS

Lai atrastu tuvāko autorizēto apkalpošanas centru, apmeklējiet <http://en.ryobitools.eu/header/service-and-support/service-agents>.

LT „RYOBI®“ GARANTIJOS TAIKYMO SĄLYGOS

Papildant bet kokias įstatybose numatytas perkanat atsirandancias teises, šiam įrenginiui taikoma toliau nurodyta garantija.

1. Vartotojams suteikiama 24 mėnesių trukmės garantija nuo įrenginio įsigijimo datos. Ši data turi būti nurodyta sąskaitoje faktūroje ar kitame pirkimą įrodančiame dokumente. Šis įrenginys skirtas tik vartotojų rinkai ir asmeniniam naudojimui. Todėl garantija netaikoma, jei įrenginys naudojamas profesinėms ar komercinėms reikmėms.
2. Įsigijus tam tikrus elektrinius įrenginius (AC/DC), suteikiama galimybė pratęsti garantiją, kad ji galiojūt ilgiau, nei nurodyta. Naudojantis registracija interneto svetainėje www.ryobitools.eu. Ar galima pratęsti įrenginio garantinį laikotarpį, aiškiai nurodoma praduotuvėse ir (arba) ant įrenginio pakuočės, ir (arba) įrenginio dokumentuose. Galutinis naudotojas turi užregistruoti savo naujai įsigytą įrenginį per 30 dienų nuo įsigijimo datos. Galutinis naudotojas gali registruotis išplėstinei garantijai savo gyvenamojoje šalyje, jei ji nurodyta internetinėje registracijos formoje, kurioje siūloma tokia galimybė. Be to, galutinai naudotojai turi sutikti su duomenų, kuriuos reikia įvesti internetu, saugojimu ir sveatinės naudojimo sąlygomis. Kaip išplėstinės garantijos įrodymas naudojamas registracijos patvirtinimo tikras, atsiunčiamas el. paštu, ir originali sąskaita faktūra, kurioje nurodyta įsigijimo data.
3. Ši garantija apima visus garantiniu laikotarpiu aptiktus įrenginio trūkumus, atsiradusius dėl gamybos arba medžiaginių defektų nuo įsigijimo datos. Ši garantija nbrojama remontu ir (arba) pakeitimu, jei neapima jokių kitų įsipareigojimų, įskaitant (bet tuo neapsiribojant) šalutinius arba antrinius nuostolius. Garantija anuliuojama, jei įrenginys buvo naudojamas netinkamai, naudojamas ne pagal naudojimo instrukciją arba netinkamai prijungtas. Ši garantija netaikoma:
 - jokiai įrenginiui padarytai žalai, kurią lėmė netinkama techninė priežiūra;
 - jokiai įrenginiui, kuris buvo keičiamas ar modifikuojamas;
 - jokiai įrenginiui, kurio originalūs identifikavimo ženklai (prekės ženklas, serijos numeris) buvo sugadinti, pakeisti arba pašalinai;
 - jokiai žalai, kurią lėmė naudojimo instrukcijos nesilaikymas;
 - jokiems CE ženklui nepažymėtiems įrenginiams;
 - jokiai įrenginiui, kurį bandė remontuoti nekvalifikuoti asmenys arba kuris buvo remontojamas be „Technronic Industries“ leidimo;
 - jokiai įrenginiui, kuris buvo prijungtas prie netinkamo maitinimo tinklo (netinkamos srovės, įtampos, dažnio);
 - jokiai žalai, kurią lėmė išorinis poveikis (cheminis, fizinis, smūgiai) arba pašalinės medžiagos;
 - dėvimosioms dalims;
 - netinkamam naudojimui, įrenginio perkrovai;
 - nepatvirtintų priedų arba dalių naudojimui;
 - su įrenginiu pateiktiems arba atskirai įsigytiems elektrinio įrenginio priedams. Šios išimty apima (tuo neapsiribojant) atsektuvų antgalius, gražtų antgalius, šlifavimo diskus, švitinį popierių ir geležtes, šoninį kreiptuvą;
 - komponentams (dalims ir priedams), kurie natūraliai dėvijs, įskaitant (bet tuo neapsiribojant) įprastines ir technines priežiūros rinkinius, anglinius šepetėlius, guolius, laikiklį, SDS gražtų antgalį priedą arba lizdą, maitinimo kabelį, pagalbinę rankena, nešiojimo dėklą, šlifavimo diską, maišelį dulkmėms, dulkių ištraukimo vamzdelį, fetro poveržles, smūginio veržliarakčio kaiščius ir spyruokles ir pan.
4. Prireikus atlikti priežiūros darbus, įrenginį reikia siųsti arba atvežti RYOBI įgaliotajam priežiūros centrui, nurodytam kiekvienos šalies priežiūros centrų adresų sąrašė. Kai kuriose šalyse vietinis RYOBI atstovas siunčia įrenginį RYOBI priežiūros organizacijai. Siunčiant įrenginį RYOBI priežiūros centrui, reikia saugiai jį supakuoti pašalinant visas pavojingas medžiagas, pvz., benzina, nurodyti ant pakuočės siuntytojo adresą ir pridėti trumpą gedimo aprašymą.
5. Pagal šią garantiją remontas / keitimas atliekami nemokamai. Tokie veiksmai netaikomi garantijos pratęsimu arba naujo garantinio laikotarpio pradžia. Dalsys arba įrenginiai, kuriuos pakeitėme, tampa mūsų nuosavybe. Kai kuriose šalyse pristatymo ir pašto išlaidas turi padengti siuntėjas. Įstatybose numatytos Europos teisės, atsirandancias perkanat įrenginį, lieka nepakeistos
6. Ši garantija galioja Europos bendrijoje, Šveicarijoje, Islandijoje, Norvegijoje, Lihtenšteinė, Turkijoje ir Rusijoje. Jei gyvenate ne šiose šalyse, kreipkitės į įgaliotajį RYOBI atstovą ir sužinokite, ar jums taikoma kita garantija.

ĮGALIOTAS TECHNINĖS PRIEŽIŪROS CENTRAS

Jei norite surasti įgaliotą techninės priežiūros centrą netoli Jūsų, apsilankykite interneto svetainėje <http://en.ryobitools.eu/header/service-and-support/service-agents>.

ET RYOBI® GARANTIIINGIMUSED

Lisaks toote ostust tulenevatele seadusjärgsetele õigustele, kehtib tootele ka alitoodud garantiiga.

1. Tarbijatele on garantiiaeg 24 kuud ja algab sellel kuupäeval, mil toode osteti. Selle kuupäeva tõestuseks on vaja arvet või mõnda teist tõendit ostu sooritamise kohta. Toode on mõeldud eratarbijatele ainult isiklikuks kasutamiseks. Seega ei kehti garantii ostu kasutamisel kutsetegevuses või kaubanduslikel eesmärkidel.
2. Teatud osale elektrilistele (vahelduvvoolu/alalisvoolu) tööriistadele on võimalik pikendada tõestuseks tooldud garantiieaga, kasutades toote registreerimist veebilehel www.ryobitools.eu. Teave tööriista võimaliku pikendatud garantiiaja kohta on selgelt esile toodud poodides ja/või pakendil / ning see sisaldub toote dokumentatsioonis. Lõpparbiaja peab registreerima oma uued tööriistad interneti teel 30 päeva jooksul pärast ostmise. Lõppkasutaja võib registreerida pikendatud garantiiaja saatmisega oma elukohariigis, kui veebis olevas registreerimisvormis on see valik lubatud. Lisaks peavad kasutajad andma oma nõusoleku veebis nõutud sisestatavate andmete säilitamiseks ning nad peavad nõustuma tingimustega. E-posti teel saatetav registreerimise kinnitus ja arve originaal, kus on näha ostu sooritamise kuupäev, on pikendatud garantiiaja tõestuseks.
3. Garantii katab kõik defektid toote garantiiaja jooksul, kui ostu kuupäeval ilmnevad talitlus- või materjalivead. Garantii piirub toote remondi ja/või väljavahetamisega ning ei sisalda muid kohustusi, muu hulgas ettenägematuid või kaudseid kahjusid. Garantii ei kehti, kui toodet ei ole kasutatud sihtotstarbeliselt või kooskõlas kasutusjuhendiga või see on valesti ühendatud. Garantii ei kehti järgmistel põhjustel:
 - toode on kahjustatud vale hoolduse tõttu
 - toodet on muudetud
 - toote algsuunatud identifitseerimisnumbriga (kaubamärk, seerianumber) on rikutud, muudetud või eemaldatud
 - kahju on tekkinud kasutusjuhendi mittejärgmisest
 - tootel puudub CE-märgis
 - toodet on püüdnud remontida vastavat kvalifikatsiooni mitte omav isik või ilma firma Techtronic Industries eelneva loata.
 - toode on ühendatud valesse toiteallikasse (voolutugevus, pinge, sagedus)
 - välismõjude (keemilised, füüsilised, elektrilöögid) või võrkehade tekitatud kahju
 - tavapärase kulumine ja katkised varuosad
 - ebaõige kasutamine, tööriista ülekoormamine
 - heakskiitmata tarvikute või osade kasutamine
 - koos tööriistaga saadud või eraldi ostetud elektriliste tööriistade tarvikud. Need erandid puudutavad muu hulgas kruvikeeraja otsakuid, puuriterasid, lihvkettaid, lihvpaberit ja -tald, küljuhukuid
 - Komponentid (osad ja tarvikud), mida iseloomustab kulumine ja vananemine, muu hulgas remondi- ja hoolduskomplektid, süsinikharjad, laagrid, padrunid, SDS-puuriterade tarvikud, toitejuht, lisakäepide, transpordikott, lihvplaat, tolmuokt, tolmu väljalasketoru, vildist seibid, löökmutrivõtme võliid ja vedrud jne.
4. Hoolduseks peab toote saatma või viima RYOBI volitatud teenindusse, mille aadressi leiate järgnevat teeninduspunkti nimekirjast vastava riigi alt. Mõnedes riikides võtab kohalik RYOBI edasimüüja enda kanda kohustuse saata toode RYOBI teenindusorganisatsiooni. Toote saatmisel RYOBI teenindusse peab toode olema ohutult pakitud ja ei tohi sisaldada ohtlikke aineid (nt bensini), kirjas peab olema saatja aadress ja lisatud vea lühikirjeldus.
5. Garantii alusel tehtavad remonditööd / asendamine on tasuta. See ei pikenda garantii kehtivusaega ega tähista uue garantiiaja algust. Väljavahetatud osad või tööriistad kuuluvad meile. Mõnedes riikides maksab kätetoimetamis- ja postikulud saatja. Teile jäävad kehtima tööriista ostust tulenevad seadusjärgsed õigused
6. See garantii kehtib Euroopa Ühenduse territooriumil, Šveitsis, Islandil, Norras, Liechtensteinis, Türgis ja Venemaal. Väljaspool neid piirkondi võtke ühendust volitatud RYOBI edasimüüjaga, et teha kindlaks kas kehtib mõni teine garantii.

VOLITATUD HOOLDUSKESKUS

Oma volitatud hoolduskeskuse leiate veebisaidilt <http://en.ryobitools.eu/header/service-and-support/service-agents>.

HR UVJETI PRIMJENE JAMSTVA TVRTKE RYOBI®

Osim svim zakonskim pravima koja proizlaze iz kupnje, ovaj je proizvod pokriven jamstvom kako je navedeno u nastavku.

1. Jamstveno razdoblje za potrošače traje 24 mjeseca i počinje s datumom na koji je proizvod kupljen. Taj datum gore navedeno jamstveno razdoblje jasno ili drugim dokazom o kupnji. Proizvod je konstruiran i namijenjen samo za privatnu upotrebu korisnika. Stoga se jamstvo ne daje u slučaju profesionalne ili komercijalne uporabe.
2. Postoji mogućnost da se za dio asortimana električnih alata pokretanih izmjeničnom strujom (AC/DC) produži gore navedeno jamstveno razdoblje putem registriranja na mrežnom mjestu www.ryobitools.eu. Uvjeti koje je potrebno zadovoljiti kako bi se produžilo jamstveno razdoblje jasno su istaknuti u prodavaonicama i / ili na pakiranju / i nalaze se unutar dokumentacije proizvoda. Krajnji korisnik mora registrirati svoje novo kupljene alate na mreži u roku od 30 dana od datuma kupnje. Krajnji korisnik može se registrirati za produženo jamstvo u svojoj zemlji boravišta ako se nalazi na popisu u mrežnom obrascu za registraciju gdje je ta opcija važeća. Nadalje, krajnji korisnici moraju dati svoj pristanak na pohranu podataka koji su potrebni za mrežni ulazak i moraju prihvatiti odredbe i uvjete. Potvrda o prijemu registracije, koja se šalje putem e-pošte, kao i originalni račun s vidljivim datumom kupnje poslužit će kao dokaz produženog jamstva.
3. Jamstvo pokriva sve nedostatke proizvoda tijekom jamstvenog razdoblja koji su nastali zbog neispravnosti prilikom izrade ili materijala s datumom kupnje. Jamstvo je ograničeno na popravak i/ili zamjenu i ne obuhvaća nikakve druge obveze, uključujući, ali ne ograničavajući se na slučajne ili posjednične štete. Jamstvo ne vrijedi ako je proizvod bio zlorabljeno, korišten u suprotnosti s priručnikom s uputama ili ako je pogrešno spojen. Ovo jamstvo ne primjenjuje se na:
 - svaku štetu koja je na proizvodu nastala kao rezultat nepravilnog održavanja
 - svaki proizvod koji je promijenjen ili izmijenjen
 - svaki proizvod na kojem su izvorne identifikacijske oznake (žig, serijski broj) bile oštećene, izmijenjene ili uklonjene
 - svaku štetu prouzročenu neprikladnim upotrebom priručnika s uputama
 - svaki proizvod koji nema oznaku CE
 - svaki proizvod koji je pokušao popraviti neovlašćeni profesionalac ili onaj koji je popravljao bez prethodnog odobrenja tvrtke Techtronic Industries.
 - svaki proizvod koji je spojen na neprikladan izvor električnog napajanja (neodgovarajuća amperaza, napon, frekvencija)
 - svaku štetu prouzročenu unutarnjim utjecajima (kemijskim, fizikalnim, udarima) ili stranim tvarima
 - normalno habanje i trošenje rezervnih dijelova
 - neodgovarajuću uporabu, preopterećenje alata
 - upotrebu neodobrenog pribora ili dijelova
 - dodatnu opremu električnog alata isporučenu s alatom ili kupljenu odvojeno. Takvi izuzetci uključuju ali nisu ograničeni na vrhove odvijачa, svrdla bušilice, abrazivne diske, brusni papir i noževe, bočnu vodilicu
 - Komponente (dijelovi i pribor) podložne prirodnom trošenju i habanju, što uključuje, ali nije ograničeno na komplecte za servisiranje i održavanje, ugljične četkice, ležajeve, steznu glavu, nastavak ili priključak za svrdla za SDS bušilicu, priključni kabel, pomoćnu ručku, transportne torbe, brusnu ploču, vreću za prašinu, ispušnu cijev za prašinu, podloške od filca, udami ključ, zatici i opruge, itd.
4. Za potrebe servisiranja, proizvod se mora poslati ili odnijeti u ovlaštenu servisnu postaju tvrtke RYOBI navedenu na sljedećem popisu s adresama servisnih postaja u svakoj zemlji. U nekim zemljama, vaš lokalni RYOBI zastupnik obvezuje se da će poslati proizvod u servisnu organizaciju tvrtke RYOBI. Kada se proizvod šalje u neku servisnu postaju tvrtke RYOBI, proizvod se mora sigurno pakirati bez jednog od opasnih sadržaja kao što je benzin, na njemu mora pisati adresa pošiljatelja i mora biti popraćen kratkim opisom kvara.
5. Popravak / zamjena pod ovim jamstvom su besplatni. Oni ne predstavljaju produženje ili novi početak jamstvenog razdoblja. Zamijenjeni dijelovi ili alati postaju naše vlasništvo. U nekim državama troškove isporuke ili poštarinu mora platiti pošiljatelj. Vaša zakonska prava koja proizlaze iz kupnje alata ostaju nepromijenjena
6. Ovo jamstvo vrijedi u Europskoj uniji, Švicarskoj, Islandu, Norveškoj, Lihtenštajnu, Turskoj i Rusiji. Izvan tih područja vas molimo da se obratite svojem ovlaštenom zastupniku tvrtke RYOBI kako biste utvrdili primjenjuje li se drugo jamstvo.

OVLAŠTENI SERVISNI CENTAR

Za pronalaženje ovlaštenog servisnog centra pored vas posjetite <http://en.ryobitools.eu/header/service-and-support/service-agents>.

SL POGOJI ZA VELJAVNOST GARANCIJE RYOBI®

Poleg morebitnih zakonsko določenih pravic, ki izvirajo iz nakupa, za ta izdelek velja spodaj navedena garancija.

- Garancijsko obdobje je za potrošnike 24 mesecev in začne teči z dnem nakupa izdelka. Ta datum mora biti dokumentiran z računom ali drugim dokazilom o nakupu. Izdelek je zasnovan in namenjen izključno za potrošniško zasebno uporabo. V primeru strokovne oziroma komercialne uporabe izdelka garancija ne velja.
- Obstaja možnost podaljšanja garancije na del naše ponudbe električnih orodij (AC/DC) prek obdobja garancije, opisaneega zgoraj, s pomočjo registracije na spletnem mestu www.ryobitools.eu website. Ustreznost orodij za podaljšanje garancijskega obdobja je jasno prikazana v trgovinah in/ali na embalaži oziroma je navedena v dokumentaciji izdelka. Končni uporabnik mora registrirati svoje novo orodje na spletu v 30 dneh po datumu nakupa. Končni uporabnik lahko registrira podaljšano garancijo v svoji državi bivanja, če je na obrazcu spletne registracije navedeno, da ta možnost velja za njegovo državo. Poleg tega morajo končni uporabniki podati svoje soglasje za shranjevanje podatkov, ki so potrebni za spletni dostop in morajo sprejeti pogoje in določila uporabe spletnega mesta. Potrdilo o registraciji, ki ga pošljemo prek e-pošte, in originalni račun, ki prikazuje datum nakupa, služita kot dokazilo o podaljšani garanciji.
- Garancija krije vse okvare izdelka, do katerih pride v garancijskem obdobju zaradi napak v izdelavi ali materialu, ki so bile prisotne ob datumu nakupa. Garancija je omejena na popravilo in/ali zamenjavo in ne vključuje nobenih drugih obveznosti, med drugim vključno z naključno ali posledično škodo. Garancija ne velja, če je bil izdelek napačno uporabljen, uporabljen v nasprotju z navodili iz priložnice za uporabo ali če ni bil pravilno povezan. Ta garancija ne velja za:
 - škodo na izdelku, ki je posledica neustreznega vzdrževanja
 - spremenjen ali prilagojen izdelek
 - izdelek, katerega originalna identifikacijska oznaka (blagovna znamka, serijska številka) je bil poškodovan, spremenjena ali odstranjena
 - škodo, ki je posledica neupoštevanja navodil iz priložnice za uporabo izdelka, ki nima oznake CE
 - izdelek, ki ga je poskušal opraviti ne kvalificiran strokovnjak ali ki je bil popraviljen brez predhodne odobritve s strani družbe Techtronic Industries.
 - izdelek, ki je bil povezan na neustrezno napajanje (amperska moč, napetost, frekvenca)
 - škodo, ki jo povzročijo zunanji vplivi (kemični, fizični, mehanski) ali tuje snovi
 - rezervne dele, ki so podvrženi običajni uporabi
 - neprimerno uporabo, preobremenitev orodja
 - uporabo neodobrenih dodatkov ali delov
 - Dodatno električno orodje, priloženo orodju ali kupljeno ločeno. Take izjeme so med drugim nastavki za izvijače, svedri, abrazivni diski, brusni papir in rezila, stranska vodila.
 - Komponente (sestavni in rezervni deli), ki so podvrženi običajni obrabi, med drugim vključno s kompleti za servisiranje in vzdrževanje, oglikovimi krtačkami, ležaji, vpenjali, svedrni priključki SDS ali sprejemnimi odprtini zanje, napajalnimi kablji, pomožnimi ročajji, prenosnimi kovčki, brusnimi ploščami, vreckami za prah, cevmi za izpuh prahu, tesnilni iz filca, iglami in vzmetni udamega ključa itd.
- Za servisiranje morate izdelek poslati ali prinesiti v pooblaščen servisni center družbe RYOBI, ki je naveden za vsako državo na naslednjem seznamu naslovov servisnih centrov. V nekaterih državah se vaš lokalni posrednik družbe RYOBI obveže, da bo poslal izdelek na servis družbe RYOBI. Ko pošiljate izdelek v servisni center družbe RYOBI, mora biti izdelek varno zapakiran in ne sme vsebovati nobenih nevarnih snovi, kot je npr. bencin, opremljen pa mora biti z naslovom pošiljatelja in vsebovati kratek opis napake.
- Popravilo/zamenjava v skladu s to garancijo sta brezplačni storitvi. To pa ne predstavlja podaljšanja ali ponovnega začetka garancijskega obdobja. Zamenjani deli ali orodja postanejo naša last. V nekaterih državah stroške dostave ali poštno plača pošiljatelj. Vaše zakonsko določene pravice, ki izvirajo iz nakupa orodja, ostajajo nespremenjene.
- Ta garancija velja v Evropski skupnosti, Švici, Islandiji, na Norveškem, v Lichtenštajnu, v Turčiji in Rusiji. Izven teh območij se obrnite na svojega pooblaščenega posrednika izdelkov RYOBI, dealer ki vam bo povedal, ali velja kakšna druga garancija.

POOBLAŠČEN SERVISNI CENTER

Pooblaščen servisni center blizu vas poiščite na <http://en.ryobitools.eu/header/service-and-support/service-agents>.

SK ZÁRUČNÉ PODMIENKY RYOBI®

Na tento výrobok sa okrem všetkých zákonných práv, vyplývajúcich z nákupu, vzťahuje záruka v nasledovnom znení.

- Záručná doba pre spotrebiteľa je 24 mesiacov a začína plynúť odo dňa, kedy bol výrobok zakúpený. Tento dátum musí byť doložený faktúrou alebo iným dokladom o zakúpení. Výrobok je navrhnutý a určený pre spotrebiteľov a ten na súkromné používanie. Preto sa záruka sa neposkytuje v prípade použitia na profesionálne a komerčné účely.
- V prípade elektrického náradia (na striedavý/jednosmerný prúd AC/DC), existuje možnosť predĺženia záručnej doby oproti záručnej dobe, uvedenej vyššie, s využitím on-line registrácie na webovej stránke www.ryobitools.eu. Označenie na náradí o nároku na predĺženie záručnej doby je zreteľne uvedené v obchodoch a/alebo na obale a je uvedené v dokumentácii k výrobku. Koncový používateľ musí zaregistrovať svoje novozískané náradie on-line do 30 dní odo dňa nákupu. Koncový používateľ sa môže zaregistrovať na predĺženie záruky v krajine svojho bydliska, ak je v on-line registračnom formulári uvedená táto možnosť. Ďalej musia koncoví používatelia ešte dať svoj súhlas k uchovávaniu údajov, ktoré je potrebné zadať on-line a musia súhlasiť s podmienkami. Potvrdenie o prijatí registrácie, ktoré je zasielané e-mailom a originál faktúry, v ktorej je uvedený dátum nákupu, slúžia ako dôkaz o predĺženej záruke.
- Záruka sa vzťahuje na všetky poruchy výrobku v záručnej dobe, spôsobené chybami materiálů alebo spracovania k dátumu nákupu. Táto záruka je obmedzená na opravu a/alebo výmenu a nezahŕňažiadne ďalšie povinnosti, vrátane, okrem iných, náhodné alebo následné škody. Táto záruka je neplatná, ak bol výrobok nesprávne používaný, bol používaný v rozpore s návodom na použitie alebo bol nesprávne zapojený. Táto záruka sa nevzťahuje na:
 - akékoľvek poškodenie výrobku, ktoré bolo spôsobené nesprávnou obsluhou
 - akýkoľvek výrobok, ktorý bol zmenený alebo upravený
 - akýkoľvek výrobok, na ktorom bolo poškodené, upravené alebo odstránené identifikačné označenie (ochranná známka, výrobné číslo)
 - akékoľvek škody, spôsobené nedodržením návodu na obsluhu
 - akýkoľvek výrobok, ktorý neobsahuje označenie CE
 - akýkoľvek výrobok, ktorý sa pokúšal opraviť nekvalifikovaný odborník alebo bol opravovaný bez predchádzajúceho súhlasu so strany spoločnosti Techtronic Industries.
 - akýkoľvek výrobok, pripojený k nesprávnemu napájaciemu zdroju (ampéry, napätie, frekvencia)
 - akékoľvek poškodenia, spôsobené vonkajšími vplyvmi (chemickými, fyzikálnymi, nárazmi) alebo cudzorodými látkami
 - bežné opotrebovanie náhradných dielov
 - nehodné používanie, preťažovanie nástroja
 - používanie neschváleného príslušenstva a dielov
 - príslušenstvo k elektrickému náradiu, dodávané spolu s náradím alebo zakúpené oddelene. Takéto vylúčenia sa vzťahujú, okrem iného, na nástady skrutkovačov, vrtáky, brusne kotúče, brusný papier a čepele, bočné vodiace lišty
 - Súčiastky (diely a príslušenstvo), ktoré podliehajú prirodzenému opotrebovaniu, okrem iného súpravy na servis a údržbu, uhliky, ložiská, skľučovadlá, SDS vrtáky a príslušenstvo, príloh alebo prijímanie, napájací kábel, pomocná rukoväť, prepravná skriňa, brusná doska, pracovové vrecko, výfuková trubica, pistené podložky, kolíky a pružiny na rázový ťažovač atď.
- Na opravu musí byť výrobok odoslaný alebo doručený do autorizovaného servisného strediska RYOBI, uvedeného pre každú krajinu v nasledovnom zozname adries servisných stredísk. V niektorých krajinách miestny zástupca RYOBI preberá na seba záväzok zaslať tovar do servisnej organizácie RYOBI. Pri odoslaní výrobku do servisného strediska RYOBI je potrebné výrobok bezpečne zabaliť bez akéhokoľvek nebezpečného obsahu, ako je benzín, s vyznačením adresy odosielateľa, s krátkym popisom poruchy.
- Oprava/výmena je vrámci tejto záruky bezplatná. Neznamená to predĺženie záruky alebo spustenie novej záručnej doby. Vymenené diely alebo nástroje sa stávajú našim vlastníctvom. V niektorých krajinách náklady na odoslanie alebo poštovné musí zaplatiť odosielateľ. Vaše zákonné práva, vyplývajúce z nákupu náradia, zostávajú nedotknuté.
- Táto záruka platí v Európskej únii, Švajčiarsku, Islande, Nórsku, Lichtenštajnsku, Turesku a Rusku. Ak sa nachádzate mimo týchto oblastí, obráťte sa na autorizovaného predajcu RYOBI na určenie, či sa dá uplatniť iná záruka.

AUTORIZOVANÉ SERVISNÉ CENTRUM

Ak chcete nájsť najbližšie autorizované servisné centrum, navštívte stránku <http://en.ryobitools.eu/header/service-and-support/service-agents>.

BG УСЛОВИЯ ЗА ВАЛИДНОСТ НА ГАРАНЦИЯТА НА RYOBI®

В допълнение към законоустановените права, произтичащи от покупката, този продукт е обхванат от гаранция, както е изложено по-долу.

- Гаранционният срок е 24 месеца за клиенти и започва да тече от деня на закупуване на продукта. Тази дата трябва да се докаже с фактура или друго доказателство за покупка. Продуктът е изработен и предназначен само за потребителска и лична употреба. Следователно не се дава гаранция в случай на използване от професионалисти или с търговска цел.
- Съществува възможност за удължаване на гаранционния срок за част от диалогана на гаранцията на електрически инструменти (AC/DC) след изтичането на описания тук чрез регистрация на уеб сайта www.ryobitools.eu. В магазините и/или на опаковката или вътре в документацията на продукта е показано ясно дали инструментът отговаря на условията за такова удължаване на гаранционния срок. Крайният потребител трябва да регистрира своите новопридобити инструменти онлайн в рамките на 30 дни от датата на покупка. Крайният потребител може да се регистрира за удължена гаранция в държавата си на пребиваване, ако е посочена във формуляра за онлайн регистрация като място, където тази опция е валидна. Освен това крайните потребители трябва да дадат съгласието си за съхранение на данните, които са задължителни за ползване онлайн, и трябва да приемат общите условия. Полученото потвърждение за регистрация, изпратено по електронна поща, и оригиналната фактура, показваща датата на покупка, ще служат като доказателство за удължената гаранция.
- Гаранцията покрива всички дефекти на продукта по време на гаранционния срок, които се дължат на проблеми в изработката или материалите към момента на покупката. Гаранцията е ограничена до ремонт и/или замяна и не включва други задължения, включително, но не само, случайни или косвени щети. Гаранцията е невалидна, ако продуктът е използван неправилно или в противоречие с ръководството с инструкции, както и ако е свързан неправилно. Тази гаранция не важи за:
 - щети по продукта в резултат на неправилна профилактика
 - продукти, които са били изменени или модифицирани
 - продукт, при който оригиналните маркировки за идентификация (търговска марка, серийен номер) са изтрети, променени или премахнати
 - повреда, причинена от неспазване на ръководството с инструкции
 - продукт без CE маркировка
 - продукт, за който е направен опит за ремонт от невалифициран специалист или без предварително разрешение от Techtronic Industries.
 - продукт, свързан към неподходящо електрохранване (ампераж, волтаж, честота)
 - щети, причинени от външни влияния (химични, физични, удари) или чужди вещества
 - нормално износване на резервни част
 - неподходяща употреба, претоварване на инструмента
 - използване на неободбени аксесоари или части
 - Аксесоарите за електрически инструмент са предоставени с инструмента или се кукуват отделно. Тези изключения включват, но не само, накрайници за отвертка, сверела, абразивни дискове, шкурка и остриета, страничен водач
 - Компоненти (части и аксесоари), подложени на естествено износване, включително, но не само, комплекти за обслужване и поддръжка, карбонови четки, лагери, патронник, приставка със средло SDS или приемно устройство, захранващ кабел, спомогателна ръкохватка, кутия за транспортиране, шлифовъчна пластина, торба за прах, тръба за отвеждане на прах, филцови шабви, цифрове и пружини за винтовете и др.
- За обслужване продуктът трябва да се изпрати или занесе на авторизан сервис на RYOBI, посочен за всяка държава в следния списък с адреси на сервиси. В някои държави местният търговец на RYOBI поема отговорността да изпрати продукта до сервизен център на RYOBI. При изпращане на продукт до сервис на RYOBI той трябва да е опакован безопасно без опасно съдържание, напр. бензин, да е маркиран с адреса на подателя и придружен от кратко описание на повредата.
- Ремонтът/замяната по силата на тази гаранция са безплатни. Те не водят до удължаване или подновяване на гаранционния срок. Сменените части или инструменти стават наша собственост. В някои държави таксите за доставка или изпращане трябва да се платят от подателя. Законоустановените ни права, произтичащи от закупуването на инструмента, остават незасегнати.
- Тази гаранция е валидна в Европейската общност, Швейцария, Исландия, Норвегия, Лихтенщайн, Турция и Русия. Извън тези области се свържете с упълномощения търговец на RYOBI, за да се установи дали е приложима друга гаранция.

УПЪЛНОМОЩЕН СЕРВИЗЕН ЦЕНТЪР

За да намерите упълномощен сервизен център близо до вас, посетете <http://en.ryobitools.eu/header/service-and-support/service-agents>.

UK ГАРАНТИЙНИ УМОВИ ДЛЯ RYOBI®

Окрім загалом установлених законом прав, що стосуються покупки, цей пристрій покривається гарантією, що зазначено нижче.

- Гарантійний період для споживачів складає 24 місяці і починається з моменту придбання цього пристрою. Ця дата повинна бути задокументована у гарантійному талоні або чеку. Цей пристрій був розроблений і призначений тільки для споживчого та приватного використання. У разі професійного або комерційного використання цього пристрою, він втрачає гарантію.
- Існує можливість подовжити гарантійний період для частини лінійки електричних інструментів (перемінного/постійного струму), понад період описаний вище за допомогою реєстрації на сайті www.ryobitools.eu. Пристрої, які мають право на подовження гарантійного періоду, мають чіткі позначки щодо цього в магазинах і / або на упакуванні / та документації до пристрою. Кінцевий користувач повинен зареєструвати його/її новопридбаний пристрій онлайн протягом 30 днів з дати покупки. Кінцевий користувач може зареєструватися для подовження гарантійного періоду в своїй країні постійного перебування, якщо вона є доступною у відповідній опції онлайн форми реєстрації. Крім того, кінцеві користувачі повинні дати свою згоду на збірвання даних, які необхідні для ведення онлайн, а також вони повинні прийняти правила та умови. Отримання підтвердження реєстрації, яке відправляється на адресу електронної пошти, та оригінал гарантійного талона і зазначеною датою покупки буде служити доказом подовженої гарантії.
- Гарантія поширюється на всі дефекти пристрою протягом гарантійного терміну щодо недотримання стандартів виробництва або матеріалів на дату придбання. Гарантія обмежується ремонтом та/або заміною, та не включає в себе будь-яких інших зобов'язань, в тому числі, але не обмежена у разі випадкових та подальших пошкоджень. Гарантія не діє, якщо пристрій використовувався неналежним чином, всупереч інструкції з експлуатації або був неправильно підключений до мережі. Дана гарантія не поширюється на:
 - пристрої, що були пошкоджені у результаті неправильного технічного обслуговування;
 - пристрої, що були видозміннені або модифіковані;
 - пристрої, оригінальне ідентифікаційне (товарний знак, серійний номер) маркування яких було пошкоджене, змінене або видалено;
 - будь-які пошкодження, заподіяні недотриманням інструкції з експлуатації;
 - пристрої, що не мають маркування CE;
 - пристрої, що були відремонтовані невалідованим фахівцем або за відсутності попереднього дозволу від Techtronic Industries;
 - пристрої, підключені до невідповідного джерела живлення (сила току, напруги, частота);
 - будь-які пошкодження спричинені зовнішнім впливом (хімічним, фізичним, стрибком напруги) або сторонніми речовинами;
 - нормальну амортизацію запасних частин;
 - невідповідне використання, перевантаження пристрою;
 - використання не підтверджених запасних частин або аксесуарів;
 - приладдя до електричного інструменту, що постачається разом з пристроєм або купуються окремо. Такі винятки враховують але не є обмеженнями для наконечників викруток, свердел, абразивних дисків, наждачного паперу та лез, бічних напрямних – компоненти(частини та приладдя) з урахуванням нормального зношування, враховуючи, але без обмеження на комплекти профілактики та технічного обслуговування, вугільні щітки, підшипники, патрони, кріплення або прийом SDS свердел, кабелі живлення, додаткові рукоятки, чохоли для транспортування, шліфувальні пластини, мішки для збору пилу, трубки виплопу, фітрові кільця, штирі і пружини гайковерту і т.д.
- Для обслуговування пристрій має бути відправлений або поданий до одного з авторизованих сервісних центрів RYOBI, які перелічені для кожної країни у наступному переліку адрес сервісних центрів. У деяких країнах місцевий дилер RYOBI зобов'язується відправити пристрій до сервісного центру RYOBI. При відправленні пристрою до сервісного центру RYOBI, пристрій має бути надійно упакований без будь-якого небезпечного вмісту, наприклад бензину, з позначеною адресою відправника та супроводжується коротким описом несправності.
- Ремонт / заміна відповідно до цієї гарантії здійснюється безкоштовно. Це не є основою для подовження або початку нового гарантійного періоду. Замінені частини або прилади переходять до власності компанії. У деяких країнах вартість доставки або поштові витрати повинні бути сплачені відправником. Загально встановлені права покупця на пристрій залишаються незмінними.
- Ця гарантія діє в Європейському Союзі, Швейцарії, Ісландії, Норвегії, Лихтенштейні, Туреччині та Росії. За межами цих зон, будь ласка, зверніться до офіційного дилера RYOBI, щоб визначити, чи застосовується інша гарантія.

АВТОРИЗОВАНІ СЕРВІСНІ ЦЕНТРИ

Для отримання оновленого переліка авторизованих сервісних центрів, відвідайте <http://en.ryobitools.eu/header/service-and-support/service-agents>.

TR RYOBI® GARANTİ UYGULAMA KOŞULLARI

Alımdan kaynaklanan yasal haklara ek olarak, ürün aşağıda belirtilen garanti kapsamındadır.

1. Tüketiciler için 24 ay olan garanti süresi, ürünün satın alındığı tarihte başlar. Bu tarihin bir fatura ya da alım kanıtıyla belgelenmesi gerekir. Ürün sadece tüketim ve özel kullanım için geliştirilmiş ve adanmıştır. Bu nedenle, profesyonel ya da ticari kullanım halinde garanti kapsamı sağlanmaz.
2. Elektrikli el aletlerinin bir bölümü (AC/DC) için www.ryobitools.eu sayfasındaki kayıt işlemini kullanarak garantinin belirtilen süresini ötesine uzatma imkanı mevcuttur. Aletlerin garanti süresinin uzatılmasına uygun olup olmadığı mağazalarda ve / veya ambalajda açıkça belirtilmiş olup, ürün dokümantasyonunda gösterilir. Son kullanıcının yeni aldığı aletleri satın alma tarihini izleyen 30 gün içinde kaydetmesi gerekir. Son kullanıcı ikamet ettiği ülkede, bu seçeneğin geçerli olduğu çevrimiçi kayıt formunda belirtilmişse, uzatılmış garanti süresi için kayıt yapılabilir. Dahası, son kullanıcıların çevrimiçi giriş için gerekli verilerin kaydedilmesine izin vermek ve hüküm ve koşulları kabul etmelidir. E-posta ile gönderilen kayıt teyit makbuzu ve alım tarihini gösteren orijinal fatura uzatılmış garantinin kanıtı olarak değerlendirilir.
3. Garanti, ürünün alım tarihindeki işçilik ve malzeme kusurları nedeniyle garanti süresi içinde oluşacak bütün arızaları kapsar. Bu garanti onarım ve değiştirilmeyle sınırlı olup, tasadüfî ya da dolaylı hasarlar da dahil, ancak bunlarla kısıtlı olmayan başka hiçbir tahahhüdü kapsamaz. Garanti, ürünün kötü, kullanıcı kılavuzuna aykırı kullanımıyla ya da yanlış bağlanmış olması halinde geçerli değildir. Bu garanti aşağıdakileri kapsamaz:
 - üründe, yanlış bakımдан kaynaklanan herhangi bir hasar
 - değiştirilmiş ya da modifiye edilmiş herhangi bir ürün
 - orijinal tanıtmış işaretleri (ticari marka, seri numarası) silinmiş, değiştirilmiş ya da kaldırılmış herhangi bir ürün
 - kullanma kılavuzuna uymamaktan kaynaklanmış herhangi bir hasar
 - herhangi bir AT dışı ürün
 - kalifiye olmamış personel tarafından ya da önceden Techtronic Industries onayı alınmadan onarılmış herhangi bir ürün.
 - uygunsuz güç kaynağına (amper, voltaj, frekans) bağlanmış herhangi bir ürün
 - harici etkenlerden (kimyasal, fiziksel, darbe) veya yabancı cisimlerden kaynaklanan her türlü hasar
 - normal aşınır ve yıpranır aksam
 - uygunsuz kullanım, aletin aşırı yüklenmesi
 - onaysız aksesuar veya parça kullanımı
4. Aletle birlikte sağlanmış ya da ayrıca alınmış elektrikli alet aksesuarları, Tornavida uçları, matkap uçları, aşındırıcı diskler, zımpara kağıdı ve bıçakları, yanıl kılavuz gibi aksamı içeren, ancak bunlarla sınırlı olmayan eklentiler
5. Servis ve Bakım kitiyle, kömür fırçalar, yataklar, kovanlar, SDS matkap ucu bağlantısı ya da yuvaları, güç kablosu, yedek tutamak, nakliye ve taşıma kutusu, kuşlama plakası, toz torbası, toz egzoz borusu, keçe rondelalar, Darbeli Tornavida Pim ve yayları vb. gibi parçaları kapsayan, ancak bunlarla sınırlı olmayan, aşınma ve yıpranmaya tabi bileşenler (aksam ve aksesuarlar).
4. Ürünün servis için her ülkede aşağıdaki servis istasyonları adres listesinde yer alan yetkili bir RYOBI servis istasyonuna gönderilmesi ya götürülmesi gereklidir. Bazı ülkelerde, yerel RYOBI distribütörünüz ürünü RYOBI servis tekliflatına göndermeyi üstlenir. Bir ürün bir RYOBI servis istasyonuna gönderilirse, ürünün güvenli bir biçimde ambalajlanması, benzin gibi tehlikeli maddeler içermemesi, gönderinen adresini taşımaması ve arızanın kısa bir açıklamasını içermesi gerekir.
5. Bu garanti kapsamında yapılacak onarım / değişiklik ücretsizdir. Garanti süresinin uzatılması ya da yeniden başlatılması anlamına gelmez. Değiştirilmiş parçalar veya aletler bize ait olur. Bazı ülkelerde teslimat ücretleri veya posta giderlerinin gönderici tarafından ödenmesi gerekir. Alımdan kaynaklanan yasal haklarınız etkilenmez
6. Bu Garanti Avrupa Topluluğu, İsviçre, İzlanda, Norveç, Liechtenstein, Türkiye ve Rusya'da geçerlidir. Bu alanların dışında, başka bir garantinin geçerli olup olmadığını belirlemek için lütfen yetkili RYOBI distribütörünüzle iletişime geçin.

YETKİLİ SERVİS MERKEZİ

En yakın yetkili servis merkezini öğrenmek için <http://en.ryobitools.eu/header/service-and-support/service-agents> sitesine girin.

EL ΟΡΟΙ ΕΦΑΡΜΟΓΗΣ ΤΩΝ ΠΡΟΫΠΟΘΕΣΕΩΝ ΕΓΓΥΗΣΗΣ ΤΗΣ RYOBI®

Εκτός από τα νόμιμα δικαιώματα, τα οποία προκύπτουν από την αγορά, το προϊόν καλύπτεται από εγγύηση, λεπτομέρειες της οποίας ακολουθούν στη συνέχεια.

1. Η διάρκεια της εγγύησης για τους καταναλωτές είναι 24 μήνες και αρχίζει από την ημερομηνία αγοράς. Η ημερομηνία θα πρέπει να αναγράφεται στην απόδειξη ή σε άλλο αποδεικτικό αγοράς. Το προϊόν έχει σχεδιαστεί και προορίζεται αποκλειστικά για οικιακή χρήση από καταναλωτές. Συνεπώς, δεν παρέχεται εγγύηση σε περίπτωση επαγγελματικής ή εμπορικής χρήσης.
2. Υπάρχει η δυνατότητα επέκτασης της εγγύησης για ορισμένα ηλεκτρικά εργαλεία (AC/DC), πέραν του παραπάνω αναφερόμενου χρονικού διαστήματος, μέσω εγγραφής στο δικτυακό τόπο www.ryobitools.eu. Η επιλεξιμότητα των εργαλείων με δυνατότητα επέκτασης της περιόδου εγγύησης αναγράφεται ρητά στα καταστήματα και/ή επάνω στη συσκευασία, ενώ περιέχεται στην τεκμηρίωση του προϊόντος. Το τελικός χρήστης θα πρέπει να καταχωρήσει το προσωπικά αποκτηθέντα εργαλεία online, εντός 30 ημερών από την ημερομηνία αγοράς. Ο τελικός χρήστης μπορεί να εγγραφεί για την επέκταση εγγύησης στη χώρα κατοικίας, εφόσον αυτή περιλαμβάνεται στο online έντυπο εγγραφής, εάν υπάρχει η δυνατότητα επέκτασης. Επιπλέον, οι τελικοί χρήστες θα πρέπει να παρέχουν τη συγκατάθεσή τους για την αποθήκευση των στοιχείων τους, τα οποία οφείλουν να καταχωρούν online, όπως και να αποδεχθούν τον όρο και τις προϋποθέσεις. Η απόδειξη επιβεβαίωσης της εγγραφής, η οποία αποστέλλεται μέσω email, και η πρωτότυπη απόδειξη αγοράς, η οποία αναφέρεται στην ημερομηνία αγοράς, αποτελούν αποδεικτικά της παρατεταμένης εγγύησης.
3. Η εγγύηση καλύπτει όλα τα ελαττώματα του προϊόντος, κατά τη διάρκεια της περιόδου εγγύησης, λόγω κατασκευαστικών ελαττωμάτων ή αστοχίας χρήστη κατά την ημερομηνία αγοράς. Η εγγύηση περιορίζεται στην επισκευή και/ή την αντικατάσταση και δεν περιλαμβάνει καμία άλλη υποχρέωση, συμπεριλαμβανομένων, ενδεικτικά, συμπληρωματικών ή παρεπόμενων ζημιών. Η εγγύηση δεν ισχύει εφόσον, έχει σημειωθεί κακομεταχείριση του προϊόντος, δεν έχουν τηρηθεί οι οδηγίες του εγχειριδίου οδηγιών ή το προϊόν έχει συνδεθεί λανθασμένα. Η εγγύηση δεν ισχύει για:
 - οποιαδήποτε ζημία στο προϊόν, η οποία είναι αποτέλεσμα κακής συντήρησης
 - οποιοδήποτε προϊόν, το οποίο έχει αλλοιωθεί ή τροποποιηθεί
 - οποιοδήποτε προϊόν, στο οποίο έχει αλλοιωθεί, τροποποιηθεί ή αφαιρεθεί το γνήσιο αναγνωριστικό (σήμα κατατεθέν, σειριακός αριθμός)
 - οποιαδήποτε ζημία προκλήθει λόγω μη τήρησης του εγχειριδίου οδηγιών
 - οποιοδήποτε προϊόν χωρίς σήμανση CE
 - οποιοδήποτε προϊόν, στο οποίο έχει γίνει προσπάθεια επισκευής από μη καταρτισμένο επαγγελματία ή χωρίς την προηγούμενη έγκριση της Techtronic Industries.
 - οποιοδήποτε προϊόν, το οποίο έχει συνδεθεί σε ακατάλληλη παροχή ρεύματος (αμπερ, ισχύ, συχνότητα)
 - οποιαδήποτε ζημία έχει προκληθεί από εξωτερικές επιδράσεις (χημικές, φυσικές, κλιματιομετρικές) ή ξένες ουσίες
 - φυσιολογική φθορά και ρήξη ανταλλακτικών
 - ακατάλληλη χρήση, υπερφόρτωση του εργαλείου
 - χρήση μη ενδεδειγμένων εξαρτημάτων ή ανταλλακτικών
 - Εξαρτήματα ηλεκτρικών εργαλείων που παρασχέθηκαν με το εργαλείο ή αγοράστηκαν ξεχωριστά. Τέτοιες εξαρτήματα περιλαμβάνουν, ενδεικτικά, μύτες καθαρισμού, τρυπάνια, δίσκους λείανσης, γυαλόχαρτο και λειπίδες, πλευρικό οδηγό
 - Εξαρτήματα (ανταλλακτικά και αξεσουάρ) που υποκείμενα σε φυσική φθορά και θραύση, συμπεριλαμβανομένων, ενδεικτικά, σετ επισκευής & συντήρησης, ψηκτρών άνθρακα, εφεδράνων, τσοκ, εξαρτημάτων ή υποδοχών τρυπάνιων SDS, καλωδίων ισχύος, βοηθητικής λαβής, βαλβίδας μεταφοράς, βίσης τριβείου, σακούλας συλλογής σκόνης, σωλήνα εξαναγκαστικής σκόνης, ροδελών τοξάκων, μωτών και ελατηρίων κροστικού κλειδιού κοχλίων, κτλ.
4. Το προϊόν θα πρέπει να αποσταλεί ή να παραδοθεί για επισκευή ή συντήρηση σε εξουσιοδοτημένο σημείο σέρβις της RYOBI που περιλαμβάνεται στον ακόλουθο κατάλογο διευθύνσεων για κάθε χώρα. Σε ορισμένες χώρες, το τοπικό σημείο πώλησης της RYOBI αναλαμβάνει την αποστολή του προϊόντος στο κεντρικό σέρβις της RYOBI. Κατά την αποστολή ενός προϊόντος σε σημείο σέρβις της RYOBI, αυτό θα πρέπει να είναι ασφαλώς συσκευασμένο, χωρίς επικίνδυνα περιεχόμενο, όπως, πετρέλαιο, να φέρει τη διευθύνση του αποστολέα και να συνοδεύεται από σύντομη περιγραφή της βλάβης.
5. Η επιδιόρθωση / αντικατάσταση υπό την παρούσα εγγύηση παρέχεται δωρεάν. Δε συνιστά παράταση της περιόδου εγγύησης ή εκκίνηση νέας περιόδου εγγύησης. Τα μέρη που αντικαθίστανται περιέχονται στην κυριότητα μας. Σε ορισμένες χώρες, τα ενδεχόμενα έξοδα παράδοσης ή μεταφοράς βερνικιών τον αποστολέα. Τα νόμιμα δικαιώματά σας, τα οποία απορρέουν από την αγορά του εργαλείου, δεν θίγονται.
6. Η παρούσα εγγύηση ισχύει στην Ευρωπαϊκή Κοινότητα, την Ελβετία, την Ισπανία, τη Νορβηγία, το Λιχτενστάιν, την Τουρκία και την Ρωσία. Εκτός των παραπάνω περιοχών, σας παρακαλούμε να επικοινωνήσετε με εξουσιοδοτημένο κατάστημα πώλησης της RYOBI, προκειμένου να διαπιστωθεί ένα ισχύει κάποια άλλη εγγύηση.

ΕΞΟΥΣΙΟΔΟΤΗΜΕΝΟ ΚΕΝΤΡΟ ΣΕΡΒΙΣ

Για να εντοπίσετε ένα εξουσιοδοτημένο κέντρο σέρβις στην περιοχή σας, επισκεφτείτε τη σελίδα <http://en.ryobitools.eu/header/service-and-support/service-agents>.

EN declaration of conformity


Techtronic Industries GmbH
Max-Eyth-Straße 10, 71364 Winnenden, Germany

Herewith we declare that the product

Belt sander
Brand: RYOBI
Model number: R18BS
Serial number range: 46222201000001 - 46222201999999

is in conformity with the following European Directives and harmonised standards
2006/42/EC, 2014/30/EU, 2011/65/EU
EN55014-1:2006+A1:2009+A2:2011, EN55014-2:2015,
EN60745-1:2009+A11:2010, EN60745-2-4:2009+A11:2011

RoHS documentation is compiled according to EN 50581:2012


Andrew John Eyre (BEng, CEng, MIET)
Vice President, Regulatory & Safety
Winnenden, Mar. 23, 2017

Authorised to compile the technical file:
Alexander Krug, Managing Director
Techtronic Industries GmbH
Max-Eyth-Straße 10, 71364 Winnenden, Germany

CE

FR DÉCLARATION DE CONFORMITÉ


Techtronic Industries GmbH
Max-Eyth-Straße 10, 71364 Winnenden, Germany

Déclarons par la présente que le produit

Ponceuse à Bande
Marque: RYOBI
Numéro de modèle: R18BS
Étendue des numéros de série: 46222201000001 - 46222201999999

est conforme aux Directives Européennes et Normes Harmonisées suivantes
2006/42/EC, 2014/30/EU, 2011/65/EU
EN55014-1:2006+A1:2009+A2:2011, EN55014-2:2015,
EN60745-1:2009+A11:2010, EN60745-2-4:2009+A11:2011

La documentation RoHS a été dressée d'après EN 50581:2012


Andrew John Eyre (BEng, CEng, MIET)
Vice-Président, Réglementation & Sécurité
Winnenden, Mar. 23, 2017

Autorisé à rédiger le dossier technique:
Alexander Krug, Directeur Général
Techtronic Industries GmbH
Max-Eyth-Straße 10, 71364 Winnenden, Germany

CE

DE KONFORMITÄTSERKLÄRUNG


Techtronic Industries GmbH
Max-Eyth-Straße 10, 71364 Winnenden, Germany

Hiermit erklären wir, dass die Produkte

Bandschleifer
Marke: RYOBI
Modellnummer: R18BS
Seriennummernbereich: 46222201000001 - 46222201999999

den folgenden europäischen Richtlinien und harmonisierten Normen entspricht
2006/42/EC, 2014/30/EU, 2011/65/EU
EN55014-1:2006+A1:2009+A2:2011, EN55014-2:2015,
EN60745-1:2009+A11:2010, EN60745-2-4:2009+A11:2011

RoHS Dokumentation ist gemäß EN 50581:2012 zusammengestellt


Andrew John Eyre (BEng, CEng, MIET)
Vizepräsident, Vorschriften und Sicherheit
Winnenden, Mar. 23, 2017

Autorisiert die technische Datei zu erstellen:
Alexander Krug, Geschäftsführer
Techtronic Industries GmbH
Max-Eyth-Straße 10, 71364 Winnenden, Germany

CE

ES DECLARACIÓN DE CONFORMIDAD

Techtronic Industries GmbH
Max-Eyth-Straße 10, 71364 Winnenden, Germany


Por la presente declaramos que los productos

Lijadora de correa
Marca: RYOBI
Número de modelo: R18BS
Intervalo del número de serie: 46222201000001 - 46222201999999

se encuentra en conformidad con las siguientes Directivas Europeas y normas armonizadas

2006/42/EC, 2014/30/EU, 2011/65/EU
EN55014-1:2006+A1:2009+A2:2011, EN55014-2:2015,
EN60745-1:2009+A11:2010, EN60745-2-4:2009+A11:2011

Documentación sobre restricción de sustancias peligrosas (RoHS) recopilada según la norma EN 50581:2012


Andrew John Eyre (BEng, CEng, MIET)
Vicepresidente, Director General de Normativa y Seguridad
Winnenden, Mar. 23, 2017

Autorizado para elaborar la ficha técnica:
Alexander Krug, Administrador Ejecutivo
Techtronic Industries GmbH
Max-Eyth-Straße 10, 71364 Winnenden, Germany

CE

IT DICHIARAZIONE DI CONFORMITÀ

Techtronic Industries GmbH
Max-Eyth-Straße 10, 71364 Winnenden, Germany

Si dichiara con la presente che il prodotto

Levigatrice a nastro
Marca: RYOBI
Numero modello: R18BS
Gamma numero seriale: 46222201000001 - 46222201999999

è conforme alle seguenti Direttive Europee e ai seguenti standard armonizzati

2006/42/EC, 2014/30/EU, 2011/65/EU
EN55014-1:2006+A1:2009+A2:2011, EN55014-2:2015,
EN60745-1:2009+A11:2010, EN60745-2-4:2009+A11:2011

La documentazione RoHS è stata compilata come indicato dalle norme EN 50581:2012


Andrew John Eyre (BEng, CEng, MIET)
Vice-Presidente, Dipartimento Regolazioni e Sicurezza
Winnenden, Mar. 23, 2017

Autorizzato per compilare il file tecnico:
Alexander Krug, Direttore Amministrativo
Techtronic Industries GmbH
Max-Eyth-Straße 10, 71364 Winnenden, Germany

CE

NL CONFORMITEITSVERKLARING

Techtronic Industries GmbH
Max-Eyth-Straße 10, 71364 Winnenden, Germany


Hierbij verklaren wij dat het product

Ponceuse à Bande
Merk: RYOBI
Modelnummer: R18BS
Seriennummernbereik: 46222201000001 - 46222201999999

is in overeenstemming met de volgende Europese Richtlijnen en geharmoniseerde normen

2006/42/EC, 2014/30/EU, 2011/65/EU
EN55014-1:2006+A1:2009+A2:2011, EN55014-2:2015,
EN60745-1:2009+A11:2010, EN60745-2-4:2009+A11:2011

RoHS-documentatie is samengesteld in overeenstemming met EN 50581:2012


Andrew John Eyre (BEng, CEng, MIET)
Vice-president, Regelgeving en Veiligheid
Winnenden, Mar. 23, 2017

Afgevaardigde voor het samenstellen van de technische fiche:
Alexander Krug, Directeur
Techtronic Industries GmbH
Max-Eyth-Straße 10, 71364 Winnenden, Germany

CE

**(PT) DECLARAÇÃO DE CONFORMIDADE**

Techtronic Industries GmbH
Max-Eyth-Straße 10, 71364 Winnenden, Germany

Pelo presente declaramos que os produtos

Lixadora de cinto
Marca: RYOBI
Número do modelo: R18BS
Intervalo do número de série: 46222201000001 - 46222201999999

se encontra em conformidade com as seguintes Directivas Europeias e normas harmonizadas

2006/42/EC, 2014/30/EU, 2011/65/EU
EN55014-1:2006+A1:2009+A2:2011, EN55014-2:2015,
EN60745-1:2009+A11:2010, EN60745-2-4:2009+A11:2011

Documentação sobre restrição de substâncias perigosas (RoHS) compilada segundo a norma EN 50581:2012

Andrew John Eyre (BEng, CEng, MIET)
Vice-Presidente, Regulação & Segurança
Winnenden, Mar. 23, 2017

Autorizado para compilar o ficheiro técnico:
Alexander Krug, Administrador Executivo
Techtronic Industries GmbH
Max-Eyth-Straße 10, 71364 Winnenden, Germany

CE**(DA) OVERENSSTEMMELSEERKLÆRING**

Techtronic Industries GmbH
Max-Eyth-Straße 10, 71364 Winnenden, Germany

Vi erklærer hermed, at produktet

Båndsliber
Brand: RYOBI
Modelnummer: R18BS
Serienummerområde: 46222201000001 - 46222201999999

er i overensstemmelse med følgende EU-direktiver og harmoniserede standarder

2006/42/EC, 2014/30/EU, 2011/65/EU
EN55014-1:2006+A1:2009+A2:2011, EN55014-2:2015,
EN60745-1:2009+A11:2010, EN60745-2-4:2009+A11:2011

RoHS-dokumentation er udarbejdet i henhold til EN 50581:2012

Andrew John Eyre (BEng, CEng, MIET)
Vicepræsident, Regler og Sikkerhed
Winnenden, Mar. 23, 2017

Bemyndiget til at udarbejde det tekniske kartotek:
Alexander Krug, Administrerende Direktør
Techtronic Industries GmbH
Max-Eyth-Straße 10, 71364 Winnenden, Germany

CE**(SV) KONFORMITETSDEKLARATION**

Techtronic Industries GmbH
Max-Eyth-Straße 10, 71364 Winnenden, Germany

Härmed deklarerar vi att produkterna

Bandslip
Märke: RYOBI
Modellnummer: R18BS
Serienummerintervall: 46222201000001 - 46222201999999

är i enlighet med följande EU-direktiv och harmoniserade standarder

2006/42/EC, 2014/30/EU, 2011/65/EU
EN55014-1:2006+A1:2009+A2:2011, EN55014-2:2015,
EN60745-1:2009+A11:2010, EN60745-2-4:2009+A11:2011

RoHS-dokumentation sammanställd enligt EN 50581:2012

Andrew John Eyre (BEng, CEng, MIET)
Vice President, Regelverk och Säkerhet
Winnenden, Mar. 23, 2017

Godkänd att sammanställa den tekniska filen:
Alexander Krug, VD
Techtronic Industries GmbH
Max-Eyth-Straße 10, 71364 Winnenden, Germany

CE**(FI) SÄÄNNÖSTEN NOUDATTAMINEN**

Techtronic Industries GmbH
Max-Eyth-Straße 10, 71364 Winnenden, Germany

Ilmoitamme täten, että tuotteet

Nauhahiomakone
Tuotemerkki: RYOBI
Mallinnumero: R18BS
Sarjanumeroalue: 46222201000001 - 46222201999999

noudattaa seuraavia EU-direktivejä ja harmonoituja standardeja

2006/42/EC, 2014/30/EU, 2011/65/EU
EN55014-1:2006+A1:2009+A2:2011, EN55014-2:2015,
EN60745-1:2009+A11:2010, EN60745-2-4:2009+A11:2011

RoHS-dokumentointi on koottu standardin EN 50581:2012 mukaisesti

Andrew John Eyre (BEng, CEng, MIET)
Varatoimitusjohtaja, Säädöstenmukaisuus ja Turvallisuus
Winnenden, Mar. 23, 2017

Valtuutettu kokoamaan tekninen tiedosto:
Alexander Krug, Toimitusjohtaja
Techtronic Industries GmbH
Max-Eyth-Straße 10, 71364 Winnenden, Germany

CE**(NO) Samsvarserklæring**

Techtronic Industries GmbH
Max-Eyth-Straße 10, 71364 Winnenden, Germany

Herved erklærer vi at produktet

Båndsliper
Merke: RYOBI
Modellnummer: R18BS
Serienummerserie: 46222201000001 - 46222201999999

er i samsvar med følgende europeiske direktiver og harmoniserte standarder

2006/42/EC, 2014/30/EU, 2011/65/EU
EN55014-1:2006+A1:2009+A2:2011, EN55014-2:2015,
EN60745-1:2009+A11:2010, EN60745-2-4:2009+A11:2011

RoHS dokumentasjonen er skrevet i samsvar med EN 50581:2012

Andrew John Eyre (BEng, CEng, MIET)
Visepresident, Forskrifter og Sikkerhet
Winnenden, Mar. 23, 2017

Autorisert til å sette sammen den tekniske filen:
Alexander Krug, Administrerende Direktør
Techtronic Industries GmbH
Max-Eyth-Straße 10, 71364 Winnenden, Germany

CE**(RU) ЗАЯВЛЕНИЕ О СООТВЕТСТВИИ ТРЕБОВАНИЯМ**

Techtronic Industries GmbH
Max-Eyth-Straße 10, 71364 Winnenden, Germany

Настоящим мы заявляем, что данный инструмент

Ленточная шлифовальная машина
Марка: RYOBI
Номер модели: R18BS
Диапазон заводских номеров: 46222201000001 - 46222201999999

соответствует требованиям следующих Директив ЕС и согласованных стандартов

2006/42/EC, 2014/30/EU, 2011/65/EU
EN55014-1:2006+A1:2009+A2:2011, EN55014-2:2015,
EN60745-1:2009+A11:2010, EN60745-2-4:2009+A11:2011

Документация RoHS соответствует стандарту EN 50581:2012

Andrew John Eyre (BEng, CEng, MIET)
Вице-Президент По Технике Безопасности И Стандартам
Winnenden, Mar. 23, 2017

Лицо, ответственное за подготовку технической документации:
Alexander Krug, Директор
Techtronic Industries GmbH
Max-Eyth-Straße 10, 71364 Winnenden, Germany

CE



PL DEKLARACJA ZGODNOŚCI

Techtronic Industries GmbH
Max-Eyth-Straße 10, 71364 Winnenden, Germany

Niniejszym deklarujemy, że produkty

Szlifekra taśmowa
Marka: RYOBI
Numer modelu: R18BS
Zakres numerów seryjnych: 46222201000001 - 46222201999999

jest zgodny z następującymi dyrektywami europejskimi i zharmonizowanymi normami

2006/42/EC, 2014/30/EU, 2011/65/EU
EN55014-1:2006+A1:2009+A2:2011, EN55014-2:2015,
EN60745-1:2009+A11:2010, EN60745-2-4:2009+A11:2011

Dokumentacja RoHS została opracowana zgodnie z normą EN 50581:2012

Andrew John Eyre (BEng, CEng, MIET)
Wiceprezes ds. Zgodności Prawnej i Bezpieczeństwa
Winnenden, Mar. 23, 2017



Osoba upoważniona do sporządzenia dokumentu technicznego:

Alexander Krug, Dyrektor Zarządzający
Techtronic Industries GmbH
Max-Eyth-Straße 10, 71364 Winnenden, Germany

CS PROHLÁŠENÍ O SHODĚ

Techtronic Industries GmbH
Max-Eyth-Straße 10, 71364 Winnenden, Germany

Tímto prohlašujeme, že výrobky

Pásová bruska
Značka: RYOBI
Číslo modelu: R18BS
Rozsah sériových čísel: 46222201000001 - 46222201999999

že tento výrobek je v souladu s evropskými a harmonizovanými standardy

2006/42/EC, 2014/30/EU, 2011/65/EU
EN55014-1:2006+A1:2009+A2:2011, EN55014-2:2015,
EN60745-1:2009+A11:2010, EN60745-2-4:2009+A11:2011.

RoHS dokumentace sestavena dle EN 50581:2012

Andrew John Eyre (BEng, CEng, MIET)
Viceprezident, Normy a Bezpečnost
Winnenden, Mar. 23, 2017



Pověření ke kompilaci technického souboru:

Alexander Krug, Generální Ředitel
Techtronic Industries GmbH
Max-Eyth-Straße 10, 71364 Winnenden, Germany

HU IZJAVA O USKLADENOSTI

Techtronic Industries GmbH
Max-Eyth-Straße 10, 71364 Winnenden, Germany

Ezúton kijelentjük, hogy a termék

Szalagcsiszoló
Márka: RYOBI
Típuszám: R18BS
Sorozatszám tartomány: 46222201000001 - 46222201999999

megfelel az alábbi Európai Irányelvek és harmonizált szabványok vonatkozó rendelkezésének

2006/42/EC, 2014/30/EU, 2011/65/EU
EN55014-1:2006+A1:2009+A2:2011, EN55014-2:2015,
EN60745-1:2009+A11:2010, EN60745-2-4:2009+A11:2011

A RoHS dokumentáció összeállítására az EN 50581:2012 szerint történt

Andrew John Eyre (BEng, CEng, MIET)
Alelnök, Megfelelőségi és Biztonsági Területek
Winnenden, Mar. 23, 2017



A műszaki dokumentáció összeállítására felhatalmazott:

Alexander Krug, Ügyvezető Igazgató
Techtronic Industries GmbH
Max-Eyth-Straße 10, 71364 Winnenden, Germany

RO DECLARAȚIE DE CONFORMITATE

Techtronic Industries GmbH
Max-Eyth-Straße 10, 71364 Winnenden, Germany

Prin prezenta, declarăm că produsele

Slefuitor cu bandă
Marka: RYOBI
Număr serie: R18BS
Gamă număr serie: 46222201000001 - 46222201999999

este în conformitate cu următoarele Directive Europene și standarde armonizate

2006/42/EC, 2014/30/EU, 2011/65/EU
EN55014-1:2006+A1:2009+A2:2011, EN55014-2:2015,
EN60745-1:2009+A11:2010, EN60745-2-4:2009+A11:2011

Documentația RoHS este întocmită în conformitate cu EN 50581:2012

Andrew John Eyre (BEng, CEng, MIET)
Vicepreședinte, Reglementare & Siguranță
Winnenden, Mar. 23, 2017



Autorizat să completeze fișa tehnică:

Alexander Krug, Director General
Techtronic Industries GmbH
Max-Eyth-Straße 10, 71364 Winnenden, Germany

LV Atbilstības deklarācija

Techtronic Industries GmbH
Max-Eyth-Straße 10, 71364 Winnenden, Germany

Ar šo paziņojam, ka produkti

Plākšņu sliņķmašīna
Modeļa numurs: R18BS
Zīmols: RYOBI
Sērijas numura intervāls: 46222201000001 - 46222201999999

atbilst šādām Eiropas direktīvām un saskaņotajiem standartiem

2006/42/EC, 2014/30/EU, 2011/65/EU
EN55014-1:2006+A1:2009+A2:2011, EN55014-2:2015,
EN60745-1:2009+A11:2010, EN60745-2-4:2009+A11:2011

RoHS dokumentācija ir izstrādāta saskaņā ar EN 50581:2012

Andrew John Eyre (BEng, CEng, MIET)
Viceprezidents, Darba Drošības Noteikumi
Winnenden, Mar. 23, 2017



Pilnvarots sastādīt tehnisko failu:

Alexander Krug, Izpildītorekts
Techtronic Industries GmbH
Max-Eyth-Straße 10, 71364 Winnenden, Germany

LT ATITIKTIES DEKLARACIJA

Techtronic Industries GmbH
Max-Eyth-Straße 10, 71364 Winnenden, Germany

Mes pareiškiame, kad šie produktai

Juostinės šlifavimo staklės
Prekės ženklas: RYOBI
Modelio numeris: R18BS
Serijinio numerio diapazonas: 46222201000001 - 46222201999999

pagamintas laikantis toliau nurodytųjų Europos Direktyvų ir darniųjų standartų

2006/42/EC, 2014/30/EU, 2011/65/EU
EN55014-1:2006+A1:2009+A2:2011, EN55014-2:2015,
EN60745-1:2009+A11:2010, EN60745-2-4:2009+A11:2011

Tam tikrų pavojingų medžiagų naudojimo elektros ir elektroninėje įrangoje apri bojimo dokumentai sudaryti pagal standartą EN 50581:2012

Andrew John Eyre (BEng, CEng, MIET)
Kontrolės Ir Saugos Viceprezidentas
Winnenden, Mar. 23, 2017



Igaliotas sudaryti techninį failą:

Alexander Krug, Generalinis Direktorius
Techtronic Industries GmbH
Max-Eyth-Straße 10, 71364 Winnenden, Germany



**(ET) VASTAVUSDEKLARATSIOON**

Techtronic Industries GmbH
Max-Eyth-Straße 10, 71364 Winnenden, Germany

Kinnitame, et see toode

Lintihviija
Mark: RYOBI
Mudelil number: R18BS
Seerianumbri vahemik: 46222201000001 - 4622220199999

vastab järgmistele Euroopa direktiividele ja harmoniseeritud standarditele

2006/42/EC, 2014/30/EU, 2011/65/EU
EN55014-1:2006+A1:2009+A2:2011, EN55014-2:2015,
EN60745-1:2009+A11:2010, EN60745-2-4:2009+A11:2011

RoHS dokumendid on koostatud vastavuses standardi EN 50581:2012 nõuetele.



Andrew John Eyre (BEng, CEng, MIET)
Asepresident Standardiseerimise Ja Ohutuse Alal
Winnenden, Mar. 23, 2017

Tehnilise faili koostamiseks volitatud isik:

Alexander Krug, Tegevdirektor
Techtronic Industries GmbH
Max-Eyth-Straße 10, 71364 Winnenden, Germany

(SK) PREHLÁSENIE O ZHODE

Techtronic Industries GmbH
Max-Eyth-Straße 10, 71364 Winnenden, Germany

Týmto vyhlasujeme, že výrobok

Leštička
Značka: RYOBI
Číslo modelu: R18BS
Rozsah sériových čísel: 46222201000001 - 4622220199999

je v súlade s nasledujúcimi Európskymi smernicami a harmonizovanými normami

2006/42/EC, 2014/30/EU, 2011/65/EU
EN55014-1:2006+A1:2009+A2:2011, EN55014-2:2015,
EN60745-1:2009+A11:2010, EN60745-2-4:2009+A11:2011

Dokumentácia RoHS je zostavená podľa EN 50581:2012



Andrew John Eyre (BEng, CEng, MIET)
Viceprezident, Regulácia a Bezpečnosť
Winnenden, Mar. 23, 2017

Oprávnená osoba na zostavenie technického súboru:

Alexander Krug, Generálny Riaditeľ
Techtronic Industries GmbH
Max-Eyth-Straße 10, 71364 Winnenden, Germany

(HR) IZJAVA O USKLADENOSTI

Techtronic Industries GmbH
Max-Eyth-Straße 10, 71364 Winnenden, Germany

Ovime izjavujemo da su proizvodi

Tračna brusilica
Marka: RYOBI
Broj modela: R18BS
Raspone serijskog broja: 46222201000001 - 4622220199999

usklađeni sa sledećim Evropskim Direktivama i usklađenim normama

2006/42/EC, 2014/30/EU, 2011/65/EU
EN55014-1:2006+A1:2009+A2:2011, EN55014-2:2015,
EN60745-1:2009+A11:2010, EN60745-2-4:2009+A11:2011

RoHS dokumentacija sukladna je EN 50581:2012



Andrew John Eyre (BEng, CEng, MIET)
Potpredsjednik za Pravila i Sigurnost
Winnenden, Mar. 23, 2017

Ovlašten da sastavi tehničku datoteku:

Alexander Krug, Direktor Upravljanja
Techtronic Industries GmbH
Max-Eyth-Straße 10, 71364 Winnenden, Germany

(BG) ДЕКЛАРАЦИЯ НА ЗА СЪОТВЕТСТВИЕ

Techtronic Industries GmbH
Max-Eyth-Straße 10, 71364 Winnenden, Germany

С настоящето декларираме, че продуктите

Лентова шлифовъчна машина
Марка: RYOBI
Номер на модела: R18BS
Обхват на серийни номера:
46222201000001 - 4622220199999

отговаря на следните директиви на ЕС и хармонизирани стандарти

2006/42/EC, 2014/30/EU, 2011/65/EU
EN55014-1:2006+A1:2009+A2:2011, EN55014-2:2015,
EN60745-1:2009+A11:2010, EN60745-2-4:2009+A11:2011

Документацията за RoHS е съставена в съответствие с EN 50581:2012.



Andrew John Eyre (BEng, CEng, MIET)
Вицепрезидент, Правни Услуги И Безопасност
Winnenden, Mar. 23, 2017

Упълномощено лице за съставяне на техническия файл:

Alexander Krug, Изпълнителен Директор
Techtronic Industries GmbH
Max-Eyth-Straße 10, 71364 Winnenden, Germany

(SL) IZJAVA O SKLADNOSTI

Techtronic Industries GmbH
Max-Eyth-Straße 10, 71364 Winnenden, Germany

Izjavljamo, da je izdelek

Tračni brusilnik
Znamka: RYOBI
Številka modela: R18BS
Razpon serijskih števil: 46222201000001 - 4622220199999

v skladu s sledećimi evropskimi direktivami in harmoniziranimi standardi

2006/42/EC, 2014/30/EU, 2011/65/EU
EN55014-1:2006+A1:2009+A2:2011, EN55014-2:2015,
EN60745-1:2009+A11:2010, EN60745-2-4:2009+A11:2011

Dokumentacija RoHS je sestavljena skladno s standardom EN 50581:2012



Andrew John Eyre (BEng, CEng, MIET)
Podpredsednik, Zakonodajne In Varnostne Zadeve
Winnenden, Mar. 23, 2017

Pooblaščená oseba za sestavo tehnične dokumentacije:

Alexander Krug, Izvršni Direktor
Techtronic Industries GmbH
Max-Eyth-Straße 10, 71364 Winnenden, Germany

(UK) Декларация про відповідність

Techtronic Industries GmbH
Max-Eyth-Straße 10, 71364 Winnenden, Germany

При цьому ми заявляємо, що продукт

Стрічково-дисковий шліфувальний верстат
Марка: RYOBI
Номер моделі: R18BS
Діапазон серійного номеру: 46222201000001 - 4622220199999

у відповідності з наступними європейськими директивами та гармонізованими стандартами

2006/42/EC, 2014/30/EU, 2011/65/EU
EN55014-1:2006+A1:2009+A2:2011, EN55014-2:2015,
EN60745-1:2009+A11:2010, EN60745-2-4:2009+A11:2011

Документація RoHS складена відповідно до EN 50581:2012



Andrew John Eyre (BEng, CEng, MIET)
Вице-президент, регулювання і безпека
Winnenden, Mar. 23, 2017

Дозвіл на складання технічного файла:

Alexander Krug, Керуючий директором
Techtronic Industries GmbH
Max-Eyth-Straße 10, 71364 Winnenden, Germany



TR Uygunluk beyanı

Techtronic Industries GmbH
Max-Eyth-Straße 10, 71364 Winnenden, Germany

Böylelikle beyan ederiz ki; ürün

Стрічко-шліфувальної машини

Marka: RYOBI

Model numarası: R18BS

Seri numarası aralığı: 46222201000001 - 46222201999999

aşağıdaki Avrupa Direktifleri ve uyumlaştırılmış standartlara uygundur

2006/42/EC, 2014/30/EU, 2011/65/EU

EN55014-1:2006+A1:2009+A2:2011, EN55014-2:2015,

EN60745-1:2009+A11:2010, EN60745-2-4:2009+A11:2011

RoHS belgeleri EN 50581:2012 uyarınca derlenmiştir



CE

Andrew John Eyre (BEng, CEng, MIET)
Başkan Vekili, Düzenleme ve Güvenlik
Winnenden, Mar. 23, 2017

Teknik dosya hazırlamaya yetkilidir:

Alexander Krug, Genel Müdür

Techtronic Industries GmbH

Max-Eyth-Straße 10, 71364 Winnenden, Germany

EL Δήλωση συμμόρφωσης

Techtronic Industries GmbH
Max-Eyth-Straße 10, 71364 Winnenden, Germany

Δια του παρόντος δηλώνουμε ότι το προϊόν

Ταινιοτριβείο

Μάρκα: RYOBI

Αριθμός μοντέλου: R18BS

Εύρος σειριακών αριθμών: 46222201000001 - 46222201999999

είναι σύμφωνα με τις παρακάτω Ευρωπαϊκές Οδηγίες και εναρμονισμένα πρότυπα

2006/42/EC, 2014/30/EU, 2011/65/EU

EN55014-1:2006+A1:2009+A2:2011, EN55014-2:2015,

EN60745-1:2009+A11:2010, EN60745-2-4:2009+A11:2011

Τα έγγραφα RoHS συντάσσονται σύμφωνα με το EN 50581:2012



CE

Andrew John Eyre (BEng, CEng, MIET)
Αντιπρόεδρος, Τμήμα Ρυθμίσεων & Ασφάλειας
Winnenden, Mar. 23, 2017

Εξουσιοδοτημένο άτομο για σύνταξη τεχνικού αρχείου:

Alexander Krug, Διευθύνων Σύμβουλος

Techtronic Industries GmbH

Max-Eyth-Straße 10, 71364 Winnenden, Germany



Techtronic Industries GmbH
Max-Eyth-Straße 10,
71364 Winnenden, Germany

961075423-02